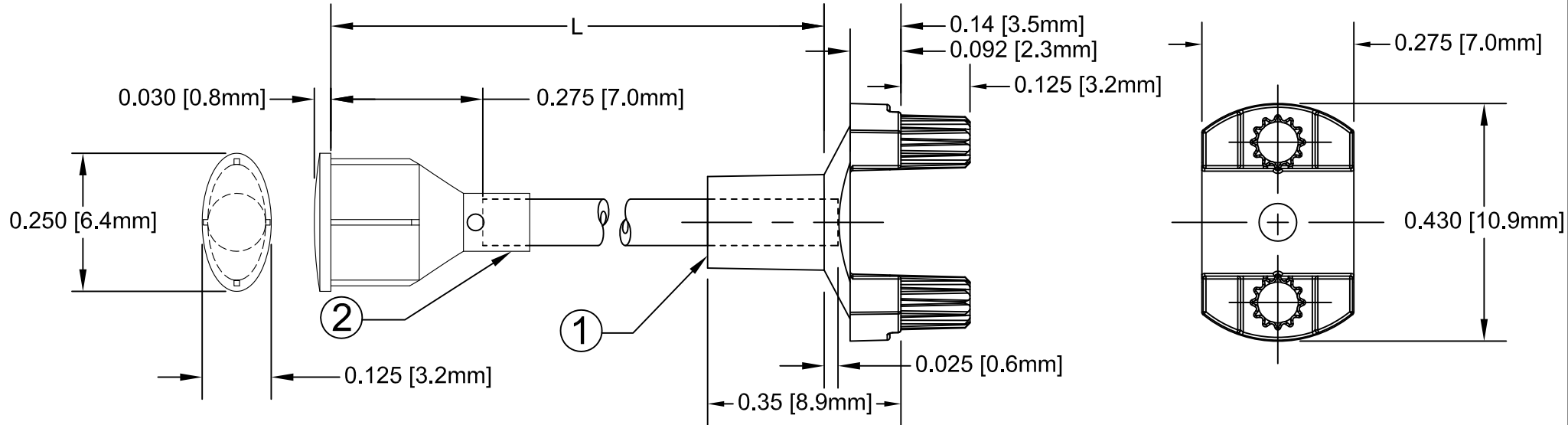
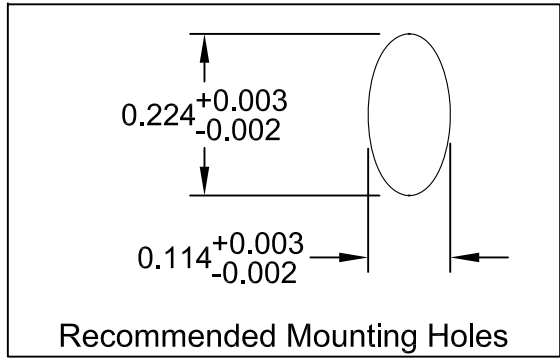


ITEM	Q'TY	PART NUMBER	PART DESCRIPTION
1	1	SMFLP	Adapter, Surface Mount Flexible Light Pipe
2	1	FLPO-XX.X	Oval Lens Cap / FLPS1022-X.XXX Assembly. ( X.XXX, Cut Length in Inches)

REV.	DESCRIPTION	DATE	APPROVED
A	Engineering Release.	06/16/09	T. Y.
B	Updated Fiber To FLPS In BOM	11/13/12	T. Y.

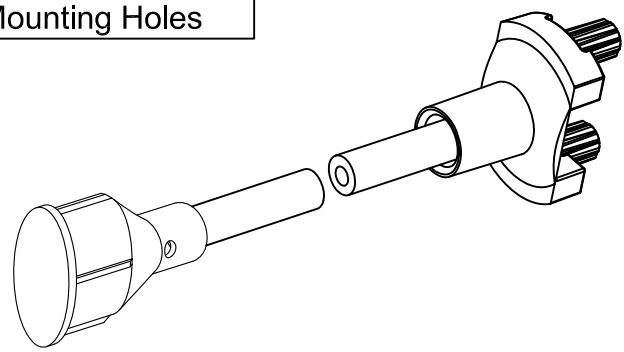
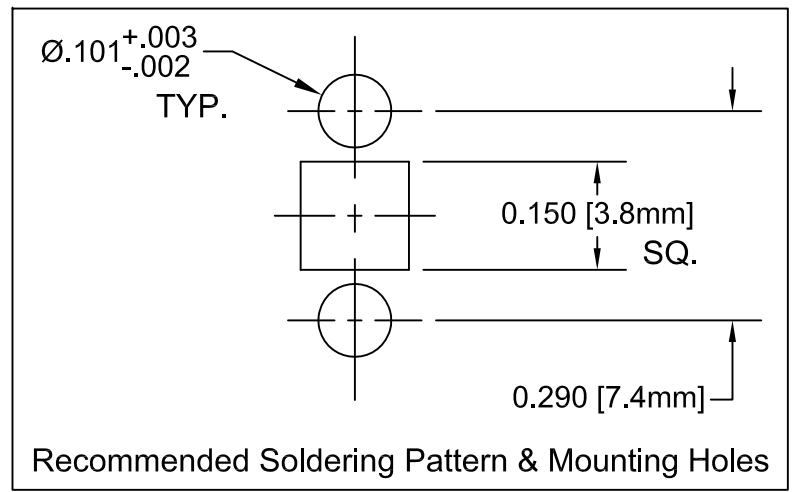




**NOTE: SMFLP ADAPTER SHIPPED NON-ASSEMBLED**



" L " *	Tolerance
1.0" ~ 16.0"	±0.050"
16.1" ~ 40.0"	±0.15"
40.1" ~ 80.0"	±0.30"
80.1" ~ 3,940.0"	±0.5%

\* Available in 0.1" increments only



STANDARD TOLERANCE ( UNLESS OTHERWISE SPECIFIED )		 <b>BIVAR</b> <sup>®</sup> 4 THOMAS, IRVINE, CA. 92618 TEL: (949) 951-8808 FAX: (949) 951-3974	
DECIMALS	ANGULAR		
.X ±.1	X° ± 1°		
.XX ±.02		 <b>TITLE:</b> FLEXIBLE LIGHT-PIPE SMD LED ADAPTER ASSY, OVAL LENS CAP	
.XXX ±.010			<b>DESIGNED:</b> Raffy Paje <b>DATE:</b> 06/16/09 <b>CHECKED:</b> F. Jensen <b>DATE:</b> 06/16/09
		<b>PART NO:</b> SMFLPO-X.X <b>REVISION:</b> B	<b>CAGE CODE :</b> 32559 <b>SHEET #</b> 1 OF 1 <small>CAD GENERATED DOCUMENT, DO NOT MEASURE DRAWING.</small>