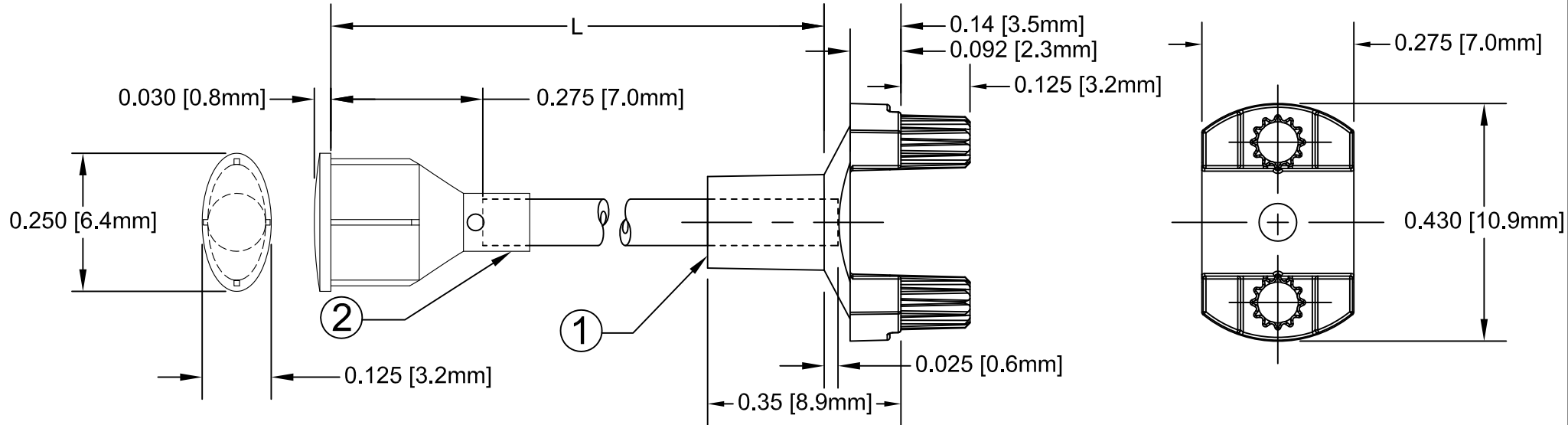
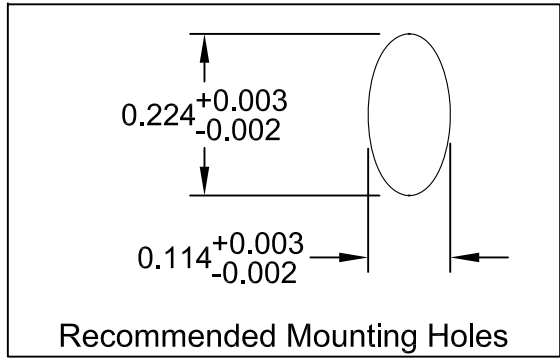


ITEM	Q'TY	PART NUMBER	PART DESCRIPTION
1	1	SMFLP	Adapter, Surface Mount Flexible Light Pipe
2	1	FLPO-XX.X	Oval Lens Cap / FLPS1022-X.XXX Assembly. (X.XXX, Cut Length in Inches)

REV.	DESCRIPTION	DATE	APPROVED
A	Engineering Release.	06/16/09	T. Y.
B	Updated Fiber To FLPS In BOM	11/13/12	T. Y.

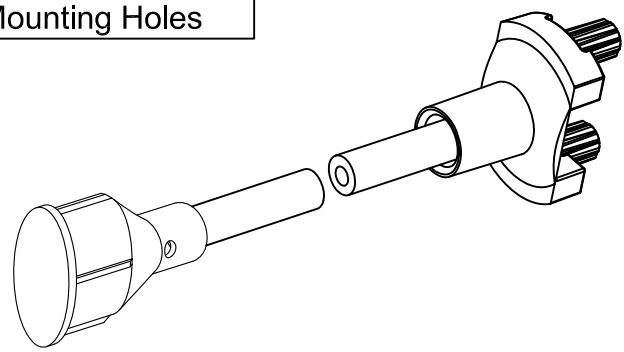
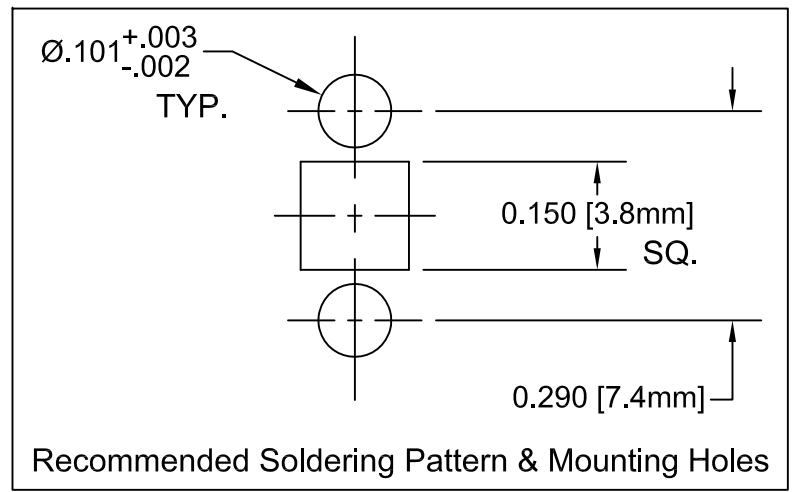


NOTE: SMFLP ADAPTER SHIPPED NON-ASSEMBLED



" L " *	Tolerance
1.0" ~ 16.0"	±0.050"
16.1" ~ 40.0"	±0.15"
40.1" ~ 80.0"	±0.30"
80.1" ~ 3,940.0"	±0.5%

* Available in 0.1" increments only



STANDARD TOLERANCE (UNLESS OTHERWISE SPECIFIED)		 BIVAR ® 4 THOMAS, IRVINE, CA. 92618 TEL: (949) 951-8808 FAX: (949) 951-3974			
DECIMALS	ANGULAR				
.X ±.1	X° ± 1°				
.XX ±.02			TITLE: FLEXIBLE LIGHT-PIPE SMD LED ADAPTER ASSY, OVAL LENS CAP		
.XXX ±.010			DESIGNED: Raffy Paje	DATE: 06/16/09	PART NO: SMFLPO-X.X
CHECKED: F. Jensen	DATE: 06/16/09	CAGE CODE: 32559	SHEET # 1 OF 1	CAD GENERATED DOCUMENT, DO NOT MEASURE DRAWING.	