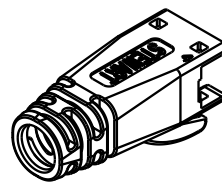
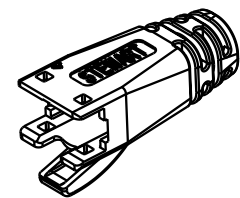
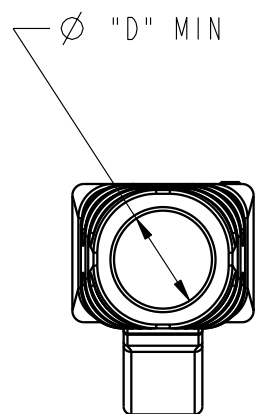
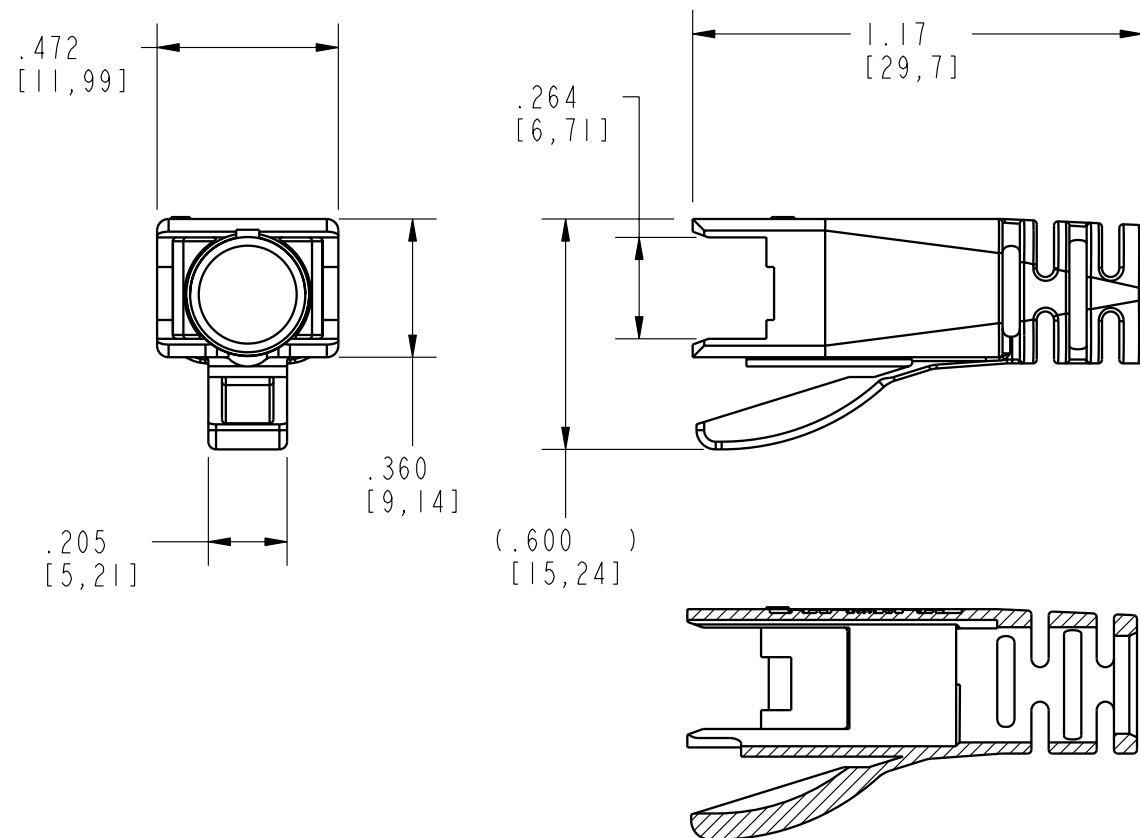


| DATE | REV. | ECN | APP'D BY |
|---------|------|-------|----------|
| 2-23-16 | A2 | 10560 | TRM |
| 4-11-17 | A3 | 10979 | TRM |
| | | | |
| | | | |



ISOMETRIC VIEWS
SCALE 1.000



| PART NUMBER | "D" DIAMETER | COLOR | AVAILABLE | RAL COLOR CODE |
|-------------|--------------|-------------|-----------|----------------|
| 39200-872 | .250 [6.35] | BLACK | YES | 9011 |
| 39200-895 | .250 [6.35] | CLOUD WHITE | 3 | 7035 |
| 39200-875 | .250 [6.35] | DARK GREY | 3 | 7038 |
| 39200-876 | .250 [6.35] | WHITE | 3 | 9010 |
| 39200-877 | .250 [6.35] | RED | 3 | 3002 |
| 39200-878 | .250 [6.35] | GREEN | 3 | 6016 |
| 39200-879 | .250 [6.35] | YELLOW | 3 | 1012 |
| 39200-880 | .250 [6.35] | BLUE | 3 | 5015 |
| 39200-881 | .250 [6.35] | PURPLE | 3 | 4001 |
| 39200-882 | .250 [6.35] | ORANGE | 3 | 2003 |
| 39200-883 | .295 [7.49] | BLACK | YES | 9011 |
| 39200-884 | .295 [7.49] | CLOUD WHITE | 3 | 7035 |
| 39200-885 | .295 [7.49] | DARK GREY | 3 | 7038 |
| 39200-886 | .295 [7.49] | WHITE | 3 | 9010 |
| 39200-887 | .295 [7.49] | RED | 3 | 3002 |
| 39200-888 | .295 [7.49] | GREEN | 3 | 6016 |
| 39200-889 | .295 [7.49] | YELLOW | 3 | 1012 |
| 39200-890 | .295 [7.49] | BLUE | 3 | 5015 |
| 39200-891 | .295 [7.49] | PURPLE | 3 | 4001 |
| 39200-892 | .295 [7.49] | ORANGE | 3 | 2003 |

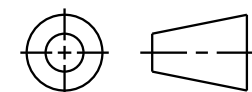
NOTES:

- MATERIAL: POLYCARBONATE, UL 94-V0
- USE .250 [6.35] I.D. BOOT FOR CABLES WITH NOMINAL OUTSIDE DIAMETER OF .232 [5.90] TO .248 [6.30]. USE .295 [7.49] I.D. BOOT FOR CABLES WITH NOMINAL O.D. OF .250 [6.35] TO .293 [7.44].

3 SPECIAL ORDER. CONSULT FACTORY. MINIMUM ORDER PURCHASE QUANTITY MAY APPLY.



THIRD ANGLE PROJECTION



11118 Susquehanna Trail South
Glen Rock, PA 17327-9199
(717) 235-7512
<http://www.stewartconnector.com>

DO NOT SCALE DRAWING
DRAWING IS SUBJECT TO CHANGE WITHOUT NOTICE

LOW PROFILE STRAIN RELIEF BOOT FOR CATEGORY 6 AND 6A SHIELDED PLUG

DIMENSIONS: INCHES [METRIC]
UNLESS OTHERWISE SPECIFIED TOLERANCES ARE ±.005 [0.13] ANGLES ARE ±1°

THIS DRAWING AND THE SUBJECT MATTER SHOWN THEREON ARE CONFIDENTIAL AND THE PROPRIETARY PROPERTY OF STEWART CONNECTOR AND SHALL NOT BE REPRODUCED, COPIED, OR USED IN ANY MANNER WITHOUT PRIOR WRITTEN CONSENT OF STEWART CONNECTOR. ONE OR MORE U.S. PATENTS MAY APPLY TO THIS PRODUCT. FOR DETAILS, PLEASE VISIT: [HTTP://BELFUSE.COM/STEWART/STEWART_PATENTS/](http://BELFUSE.COM/STEWART/STEWART_PATENTS/)

| | | | |
|----------|----------|------|---------|
| DRN BY: | DHG | DATE | 2-25-10 |
| APPD BY: | TRM | DATE | 2-25-10 |
| DWG. NO. | CT390056 | REV. | A3 |

SHEET NO. 1 OF 1