

4

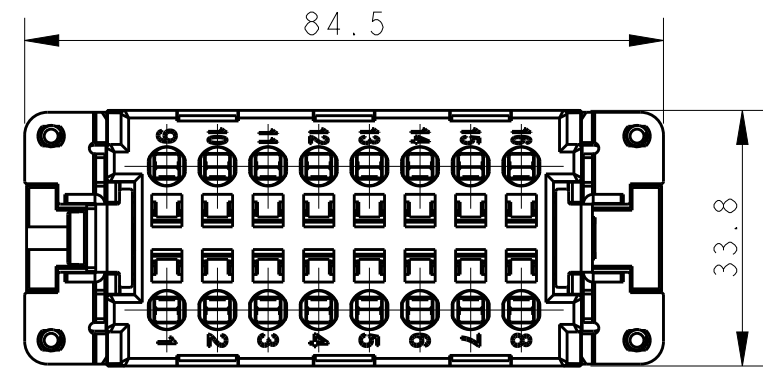
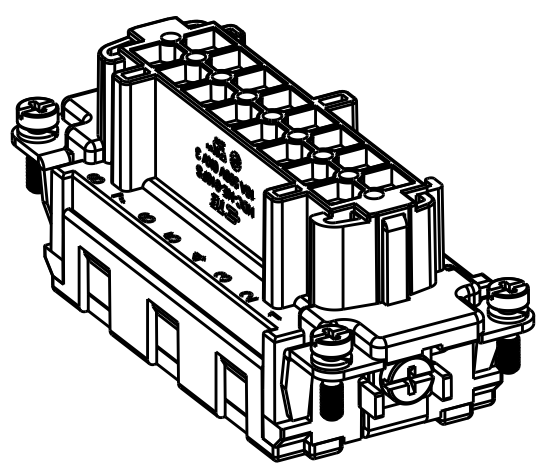
3

2

1

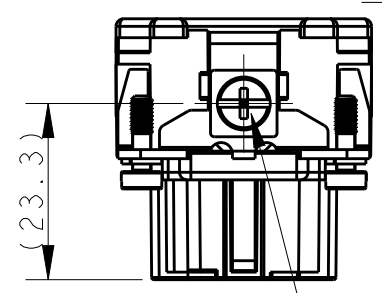
THIS DRAWING IS UNPUBLISHED. RELEASED FOR PUBLICATION 20  
© COPYRIGHT 20 BY - ALL RIGHTS RESERVED.

REVISIONS					
P	LTR	DESCRIPTION	DATE	DWN	APVD
A		INITIAL RELEASE	15APR2015	CY	CW
B		ECR-15-013759	09OCT2015	DW	CW

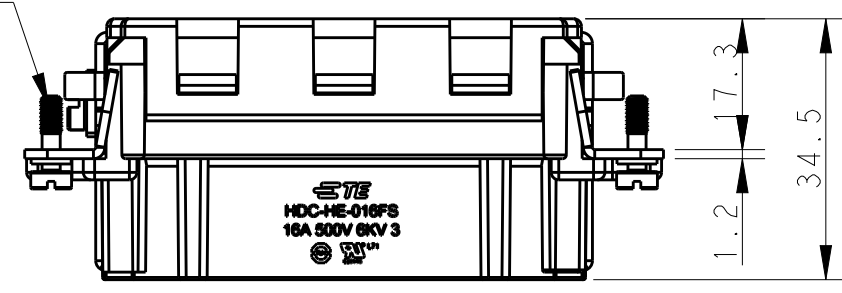


NOTES:  
 1. TECHNICAL CHARACTERISTICS:  
 INSULATION MATERIAL: PC  
 RATED VOLTAGE: 500V  
 RATED CURRENT: 16A  
 INSULATION RESISTANCE:  $\geq 400M\Omega$   
 RATED IMPULSE VOLTAGE: 6KV  
 POLLUTION DEGREE: 3  
 FLAMMABILITY: UL94V-0  
 MATING CYCLES: 500 CYCLES  
 OPERATION TEMPERATURE:  $-40^{\circ}C \sim +125^{\circ}C$   
 WIRE RANGE:  $0.5mm^2 \sim 2.5mm^2$  (AWG20-AWG14)  
 CONTACT TYPE: SPRING CLAMP

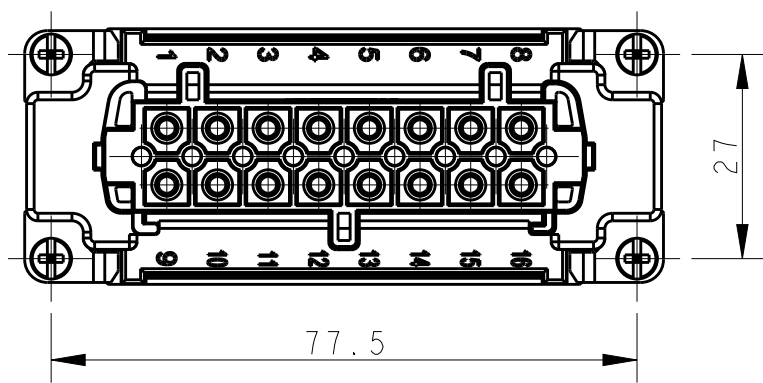
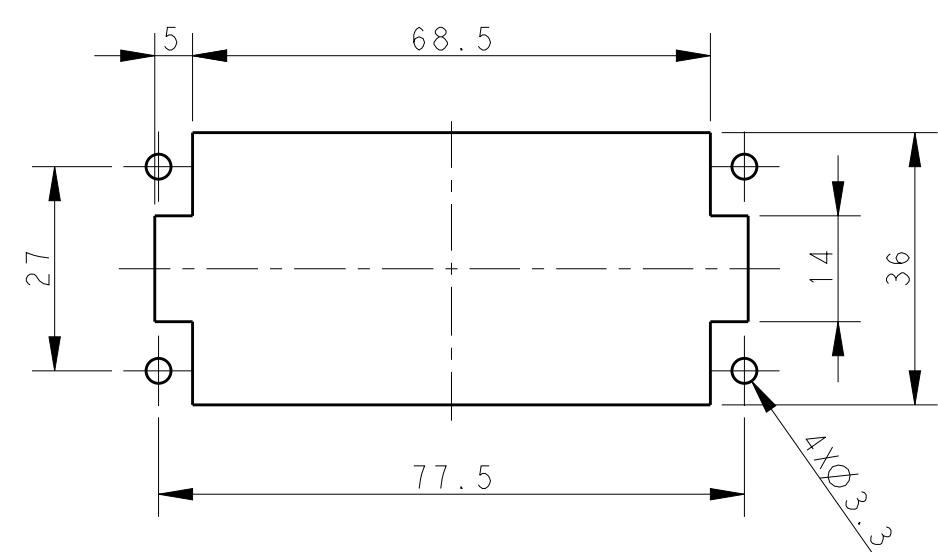
4 X M3 screw,  
 recommended tightening  
 torque 0.5Nm



M4 screw, recommended  
 tightening torque 1.2Nm



注释:  
 1. 技术参数:  
 绝缘材料: PC  
 额定电压: 500V  
 额定电流: 16A  
 绝缘电阻:  $\geq 400M\Omega$   
 脉冲电压: 6KV  
 污染等级: 3  
 阻燃等级: UL94V-0  
 插拔次数: 500 次  
 工作温度:  $-40^{\circ}C \sim +125^{\circ}C$   
 接线范围:  $0.5mm^2 \sim 2.5mm^2$  (AWG20-AWG14)  
 接线类型: 弹片压接



不使用防护外壳时芯件的安装开孔图  
 Panel cut our for inserts  
 for use without hoods/housings

HE-016-FS	T2040163201-000
DESCRIPTION	PART NUMBER

THIS DRAWING IS A CONTROLLED DOCUMENT.		DWN	15APR2015	 TE Connectivity	NAME	HE-016-FS
		CHK	15APR2015			
		APVD	15APR2015			
		PRODUCT SPEC	108-137044			
DIMENSIONS:		TOLERANCES UNLESS OTHERWISE SPECIFIED:		APPLICATION SPEC		
mm				114-137044		
		0 PLC	±-	WEIGHT		
		1 PLC	±-	-		
		2 PLC	±-	Customer Drawing		
		3 PLC	±-	SIZE	CAGE CODE	DRAWING NO
		4 PLC	±-	A3	00779	C-T2040163201000
MATERIAL		ANGLES	±-	RESTRICTED TO		
-		FINISH	-	-		
-			-	SCALE	SHEET	REV
				1:1	1 OF 1	B