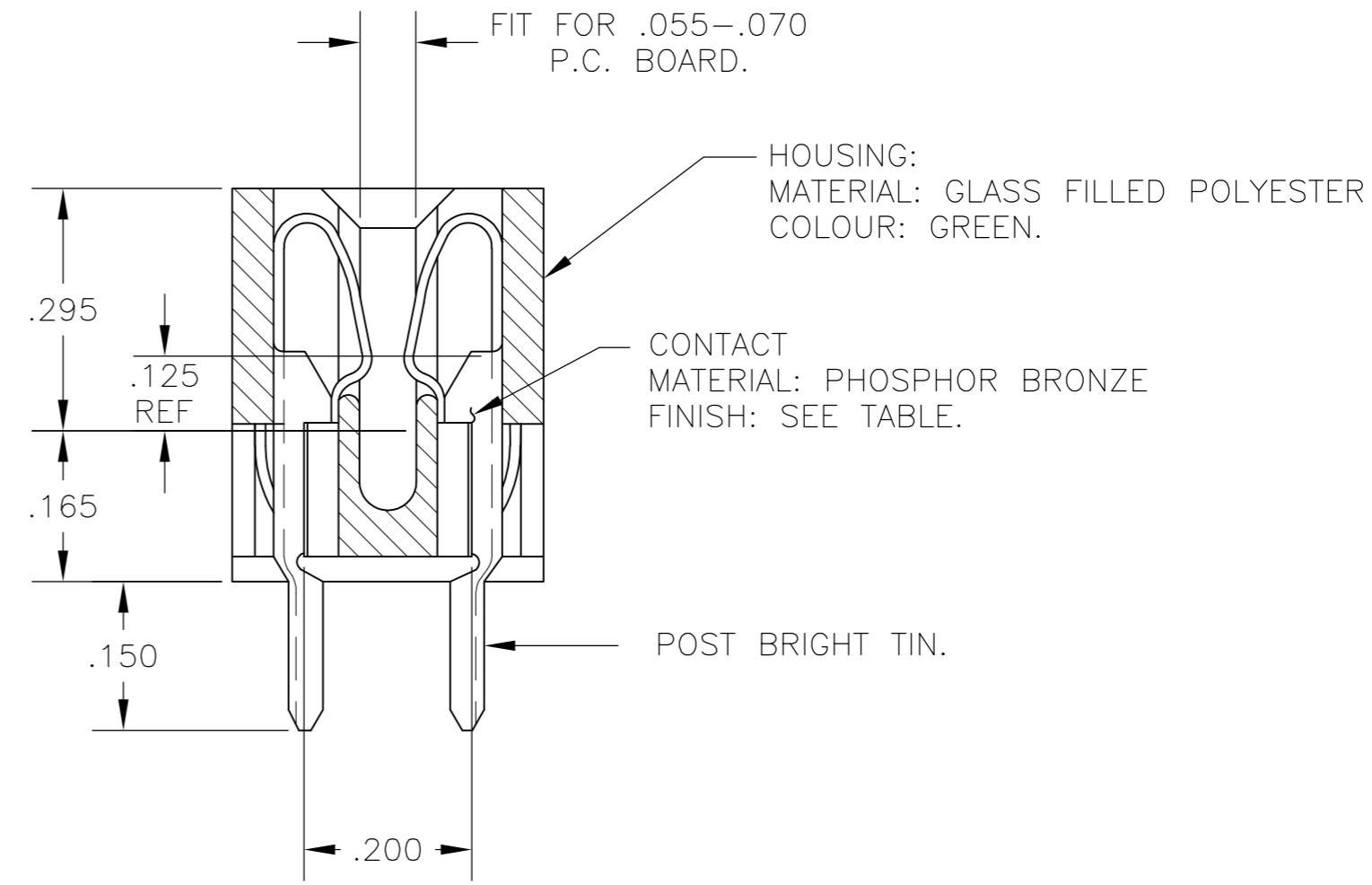
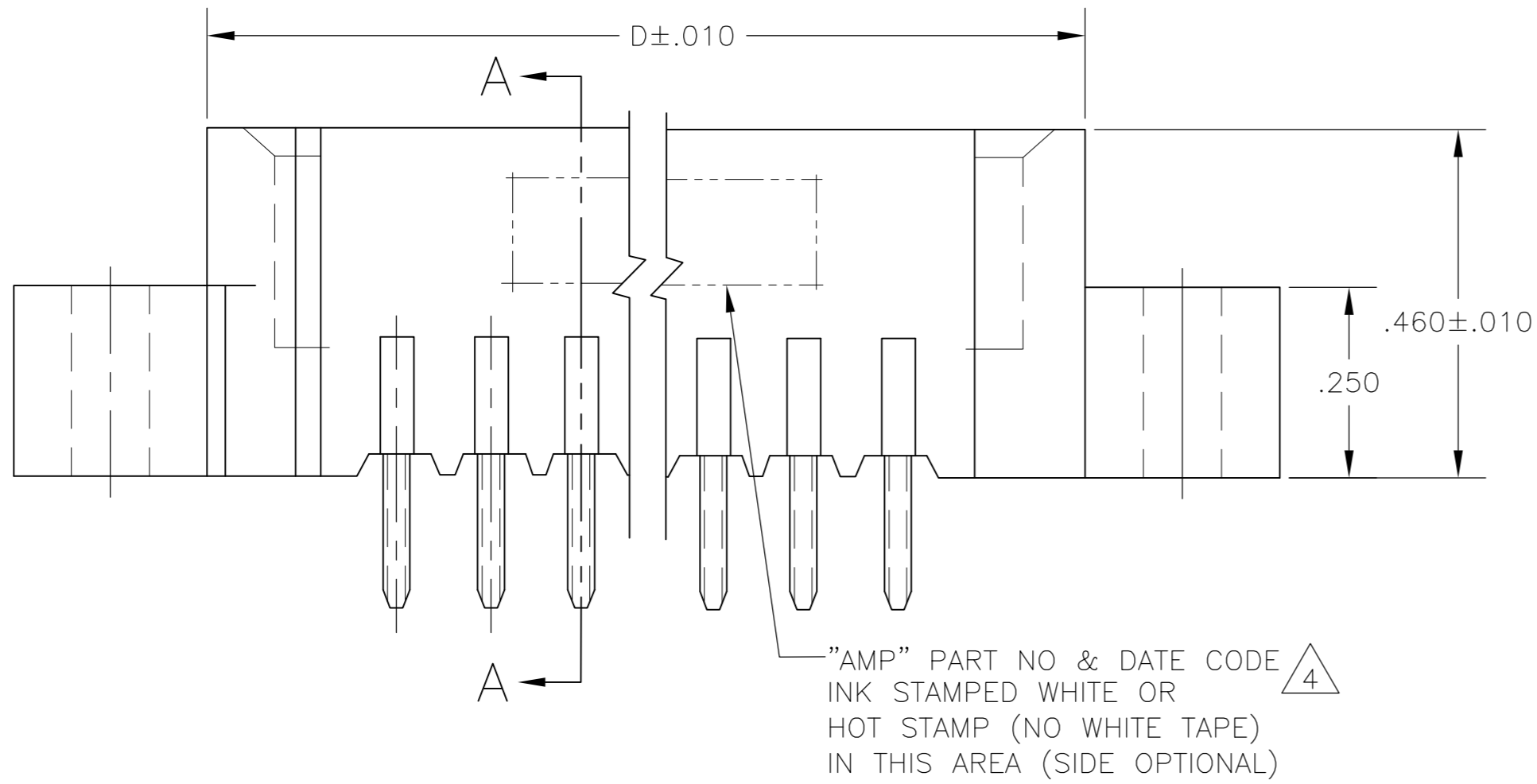
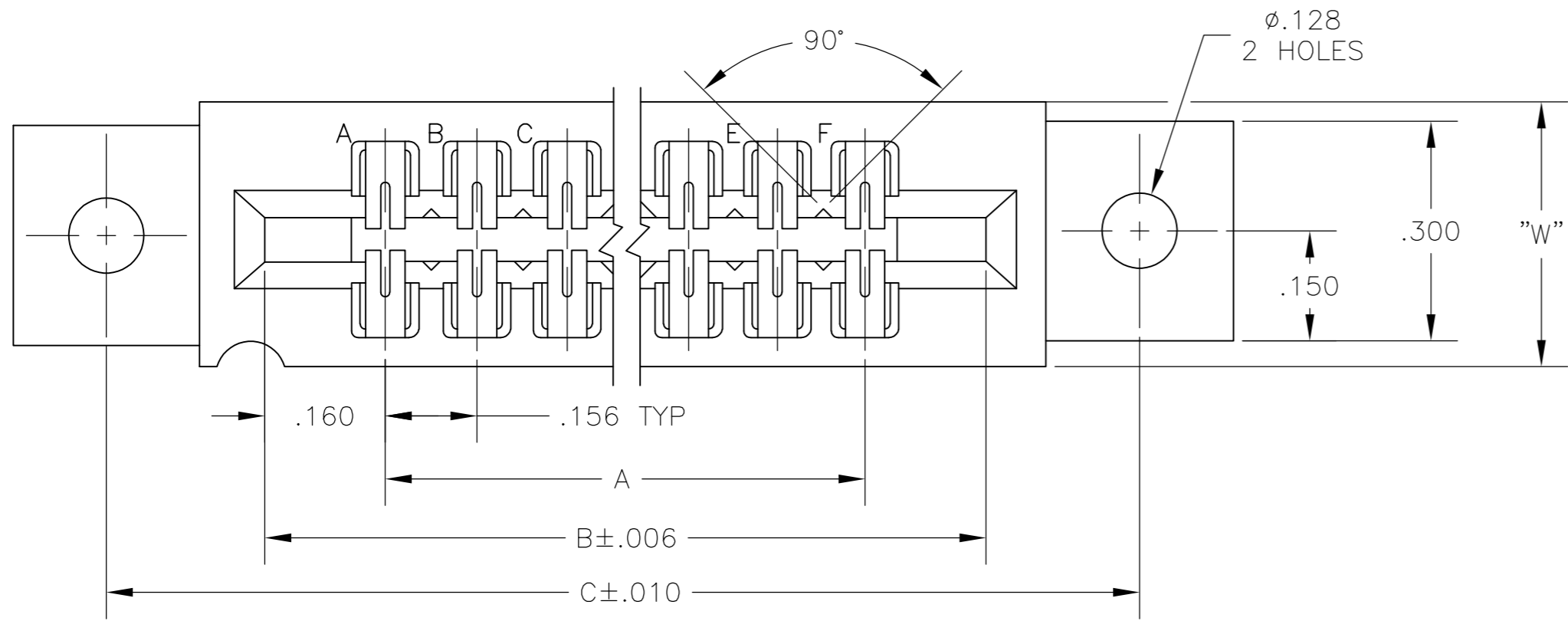
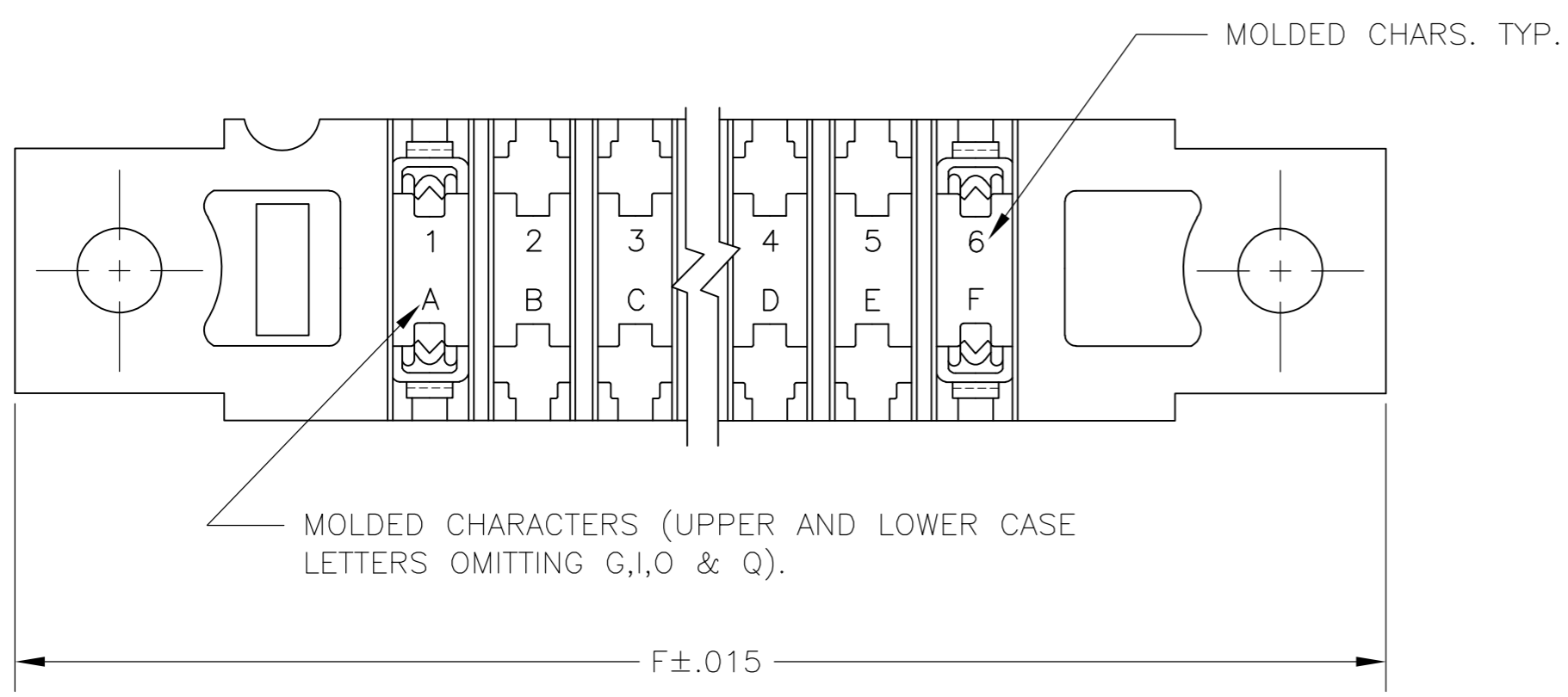


THIS DRAWING IS UNPUBLISHED. RELEASED FOR PUBLICATION
 © COPYRIGHT - By - ALL RIGHTS RESERVED.

LOC		DIST		REVISIONS			
P	LTR	DESCRIPTION	DATE	DWN	APVD		
AD	00	M3	REVISED PER ECO-14-005916	22APR2014	NK	MM	



SECTION A-A



MOLDED CHARACTERS (UPPER AND LOWER CASE LETTERS OMITTING G,I,O & Q).

THIS DRAWING IS A CONTROLLED DOCUMENT.		DWN	19MAR75		TE Connectivity		
DIMENSIONS: INCHES		CHK	20MAR75		NAME		
TOLERANCES UNLESS OTHERWISE SPECIFIED: 0 PLC ± - 1 PLC ± - 2 PLC ± - 3 PLC ± .005 4 PLC ± - ANGLES ± -		APVD	20MAR75		HOUSING ASSY, LOW PROFILE, EDGE CONNECTOR, FLOW SOLDER, FOR .052 DIA. HOLE, .156X.200 CENTERS.		
MATERIAL: SEE CALL-OUT		FINISH: SEE CALL-OUT		PRODUCT SPEC	APPLICATION SPEC	RESTRICTED TO	
WEIGHT		SCALE		SIZE	CAGE CODE	DRAWING NO	
CUSTOMER DRAWING		4:1		A2	00779	C=530655	
SHEET		REV		1 of 2			
		M3					

530655

THIS DRAWING IS UNPUBLISHED. RELEASED FOR PUBLICATION
 © COPYRIGHT - By - ALL RIGHTS RESERVED.

LOC		DIST		REVISIONS			
P	LTR	DESCRIPTION	DATE	DWN	APVD		
AD	00						
		SEE SHEET 1					

- ① .000015 MIN GOLD OVER .000050 MIN. NICKEL IN CONTACT AREA.
- ② .000030 MIN GOLD OVER .00005 MIN. NICKEL IN CONTACT AREA.
- ③ SELECTIVELY LOADED, OMIT CONTACTS IN CIRCUIT CAVITIES 14,16,18,S AND U
- ④ ALL PARTS ASSEMBLED IN MEXICO MUST BE STAMPED "ASSY IN MEXICO" THE WORD "MEXICO" CAN BE SUBSTITUTED ONLY WHERE PART SIZE PROHIBTS STAMPING "ASSY IN MEXICO", INK STAMP COLOUR WHITE OR HOT STAMP (NO WHITE TAPE) 115-9009, APPROX. WHERE SHOWN, SIDE OPTIONAL.
- ⑤ MATTE TIN PLATED CONTACT TAILS.
- ⑥ OBSOLETE PARTS: OBSOLETE CIS STREAMLINING PER D.RENAUD/D.SINISI

⑤										⑥	
⑤	-	43	6.552	6.872	7.307	7.012	.437	7.557	⑥	8-530655-3	
⑤	-	28	4.212	4.532	4.967	4.672	.370	5.217	⑥	8-530655-2	
⑤	-	36	5.460	5.780	6.215	5.920	.437	6.465	⑥	8-530655-0	
⑤	-	30	4.524	4.844	5.279	4.984	.437	5.529		7-530655-9	
⑤	-	22	3.276	3.596	4.031	3.736	.370	4.281		7-530655-6	
⑤	-	18	2.652	2.972	3.407	3.112	.370	3.657		7-530655-5	
⑤	-	15	2.184	2.504	2.939	2.644	.370	3.189		7-530655-4	
⑤	-	12	1.716	2.036	2.471	2.176	.370	2.721		7-530655-3	
⑤	-	10	1.404	1.724	2.159	1.864	.370	2.409		7-530655-2	
⑤	-	6	.780	1.100	1.535	1.240	.370	1.785		7-530655-1	
	-	18	2.652	2.972	3.407	3.112	.370	3.657		3-530655-4	
	1-530655-3	43	6.552	6.872	7.307	7.012	.437	7.557		3-530655-3	
	1-530655-2	28	4.212	4.532	4.967	4.672	.370	5.217		3-530655-2	
	1-530655-1	44	6.708	7.028	7.463	7.168	.437	7.713		3-530655-1	
	1-530655-0	36	5.460	5.780	6.215	5.920	.437	6.465		3-530655-0	
	530655-9	30	4.524	4.844	5.279	4.984	.437	5.529	⑥	2-530655-9	
	530655-8	25	3.744	4.064	4.499	4.204	.370	4.749		2-530655-8	
	530655-7	24	3.588	3.908	4.343	4.048		4.593		2-530655-7	
	530655-6	22	3.276	3.596	4.031	3.736		4.281		2-530655-6	
	530655-5	18	2.652	2.972	3.407	3.112		3.657		2-530655-5	
	530655-4	15	2.184	2.504	2.939	2.644		3.189		2-530655-4	
	530655-3	12	1.716	2.036	2.471	2.176		2.721		2-530655-3	
	530655-2	10	1.404	1.724	2.159	1.864		2.409		2-530655-2	
	530655-1	6	.780	1.100	1.535	1.240		1.785		2-530655-1	
① PART NO	NO.OF. POSITION	A	B	C	D	W	F	② PART NO			

OBSOLETE

530655

THIS DRAWING IS A CONTROLLED DOCUMENT.		DWN	19MAR75	TE TE Connectivity			
DIMENSIONS: INCHES		CHK	20MAR75				
TOLERANCES UNLESS OTHERWISE SPECIFIED:		APVD	20MAR75				
		PRODUCT SPEC		HOUSING ASSY, LOW PROFILE, EDGE CONNECTOR, FLOW SOLDER, FOR .052 DIA. HOLE .156X.200 CTRS.			
MATERIAL SEE CALL-OUT		APPLICATION SPEC					
FINISH SEE CALL-OUT		WEIGHT	-	SIZE	CAGE CODE	DRAWING NO	RESTRICTED TO
		CUSTOMER DRAWING		A2	00779	C=530655	-
		SCALE	1:1	SHEET	2 of 2	REV	M3