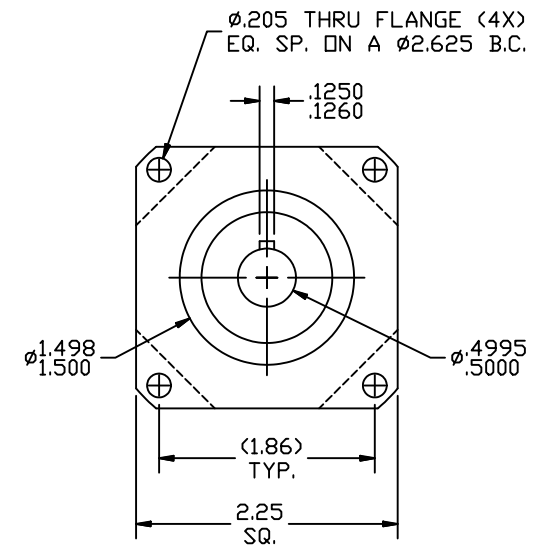
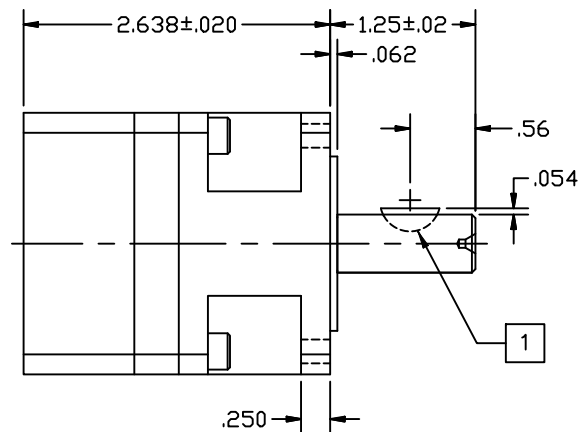
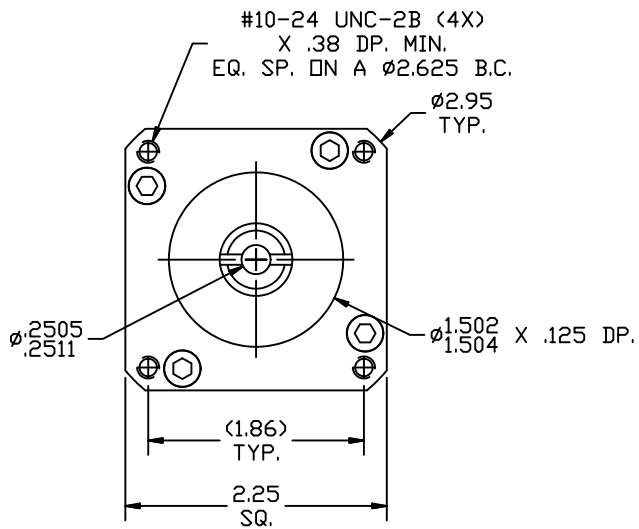


REVISIONS			
REV	DESCRIPTION	DATE	APPROVED
A	INITIAL RELEASE ECO 6709	2/22/13	J Kordik



NOTES: UNLESS OTHERWISE SPECIFIED

- 1 #404 WOODRUFF KEY.
2. 23PL005.5 RATIO- 5.5:1
3. FOR TECHNICAL DETAILS, CONTACT APPLIED MOTION PRODUCTS.

TOLERANCES		THIRD ANGLE PROJECTION		APPLIED MOTION PRODUCTS, INC.		
DECIMALS: [MM] INCH X.XXX = ± .005 X.XX = ± [0.13] .010 X.X = ± [0.25] .020 ANGLES: MACH. = ±.5° CHAM. = ±5°						
		APPROVALS	DATE			
		DRAWN <i>R. JONEZ</i>	<i>2/22/13</i>	B DWG NO. 23PL005.5	REV A	
COMPUTER DATA BASE DRAWING		CHECKED	APPROVED		SCALE: FULL	SHEET 1 OF 1