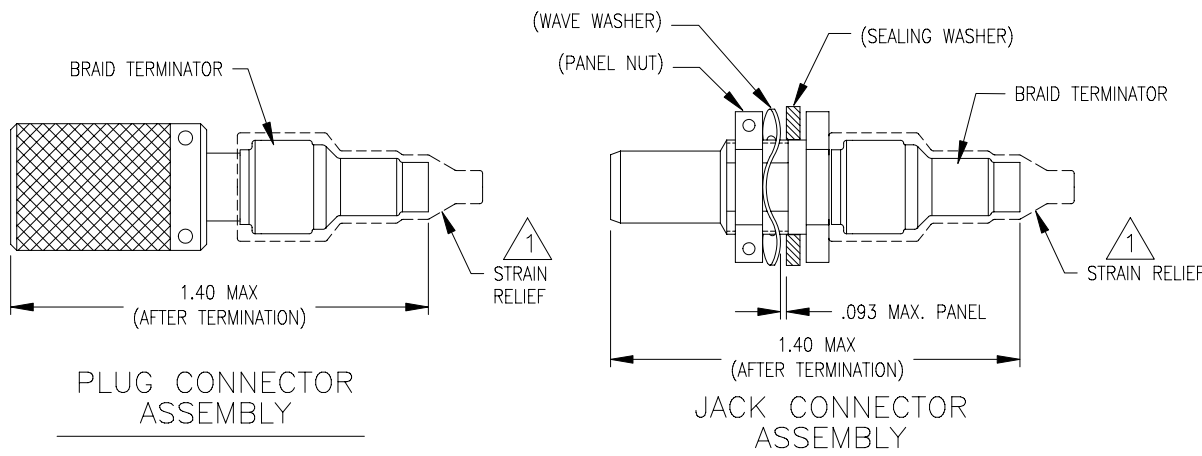




REVISIONS			
LTR	DESCRIPTION	DATE	APPROVED
N/C	INITIAL RELEASE PER DCR T-31541	01/14/03	M. HIGGY

PART NO.	PCN NO.	CONNECTOR	CONTACT	USAF NO. ¹
DK-621-0411F-P	A55456-000	PLUG	PIN	8340709-00-01
DK-621-0411F-S	F34512-000		SOCKET	8340709-00-02
DK-621-0412F-P	C11277-000	JACK	PIN	8340711-00-01
DK-621-0412F-S	D36771-000		SOCKET	8340711-00-02



REQUIREMENTS:

1.0 REFER TO THE FOLLOWING TYCO ELECTRONICS/RAYCHEM SPECIFICATION CONTROL DRAWINGS (SCD) FOR INDIVIDUAL COMPONENT DETAILS:

- D-621-0411F CONNECTOR, TRIAXIAL, SUBMINIATURE
- D-621-0412F
- (D-602-0126) CONTACT, PIN NOT SHOWN
- (D-602-0127) CONTACT, SOCKET NOT SHOWN
- (D-600-0030) BRAID TERMINATOR
- (D-600-0019) STRAIN RELIEF
- (D-600-0053F) SEALING WASHER (JACK ONLY)

**If this document is printed it becomes uncontrolled.
Check for the latest revision.**

2.0 CONNECTORS ARE QUALIFIED TO TYCO ELECTRONICS/RAYCHEM SPECIFICATION D-6025.
3.0 TERMINATION PROCEDURE: TYCO ELECTRONICS/RAYCHEM ES 61162.

NOTE:

¹ USAF No.: PLUG - 8340709-00-0X } PRINTED ON STRAIN RELIEF
 JACK - 8340711-00-0X }

SPECIFICATION CONTROL DRAWING

UNLESS OTHERWISE SPECIFIED DIMENSIONS ARE IN INCHES. METRIC DIMENSIONS ARE IN BRACKETS.	DRAWN	MFORONDA	01/14/03	 Raychem Products 305 Constitution Drive Menlo Park, CA. 94025 USA
	CHECKED			
	APPROVED	M.HIGGY	01/14/03	TITLE
	APPROVED			KITS FOR D-621 THREADED 400 SERIES TRIAXIAL CONNECTORS WITH FLUOROSILICONE GASKET (FOR TWINAXIAL CABLES)
DECIMALS .XXX ± _____ .XX ± _____ ANGLES _____	CAD NAME: T31541.dwg			SIZE
WEIGHT ---	THIRD ANGLE PROJECTION		CODE IDENT. NO.	DWG. NO.
			A 06090	DK-621-0411F-X/-0412F-X
			DO NOT SCALE THIS DRAWING	REV N/C
				SHEET 1 OF 1

