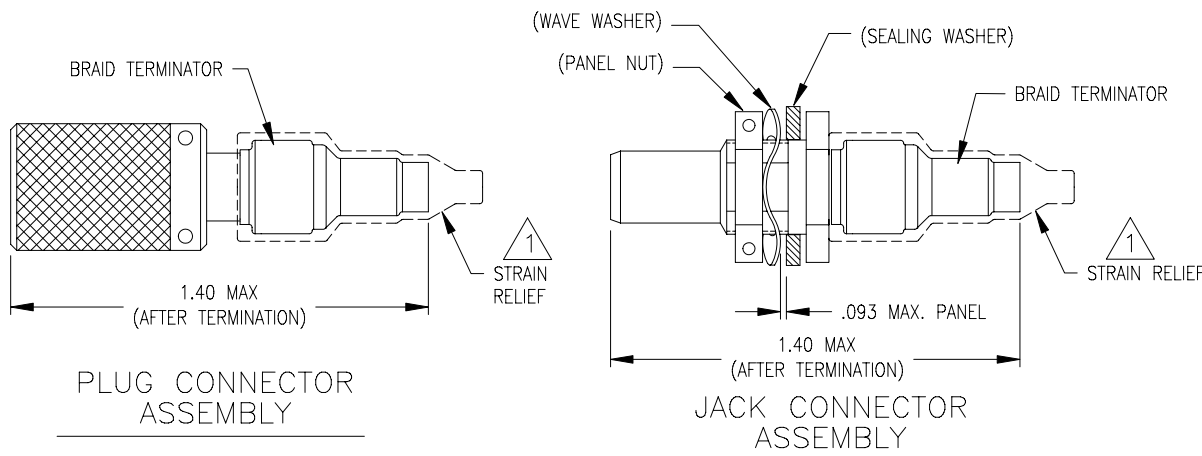




REVISIONS			
LTR	DESCRIPTION	DATE	APPROVED
N/C	INITIAL RELEASE PER DCR T-31541	01/14/03	M. HIGGY

PART NO.	PCN NO.	CONNECTOR	CONTACT	USAF NO. <sup>1</sup>
DK-621-0411F-P	A55456-000	PLUG	PIN	8340709-00-01
DK-621-0411F-S	F34512-000		SOCKET	8340709-00-02
DK-621-0412F-P	C11277-000	JACK	PIN	8340711-00-01
DK-621-0412F-S	D36771-000		SOCKET	8340711-00-02



REQUIREMENTS:

1.0 REFER TO THE FOLLOWING TYCO ELECTRONICS/RAYCHEM SPECIFICATION CONTROL DRAWINGS (SCD) FOR INDIVIDUAL COMPONENT DETAILS:

D-621-0411F	CONNECTOR, TRIAXIAL, SUBMINIATURE	
D-621-0412F	CONNECTOR, TRIAXIAL, SUBMINIATURE	
(D-602-0126)	CONTACT, PIN	NOT SHOWN
(D-602-0127)	CONTACT, SOCKET	NOT SHOWN
(D-600-0030)	BRAID TERMINATOR	
(D-600-0019)	STRAIN RELIEF	
(D-600-0053F)	SEALING WASHER (JACK ONLY)	

**If this document is printed it becomes uncontrolled.  
Check for the latest revision.**

2.0 CONNECTORS ARE QUALIFIED TO TYCO ELECTRONICS/RAYCHEM SPECIFICATION D-6025.

3.0 TERMINATION PROCEDURE: TYCO ELECTRONICS/RAYCHEM ES 61162.

NOTE:

<sup>1</sup> USAF No.: PLUG - 8340709-00-0X } PRINTED ON STRAIN RELIEF  
 JACK - 8340711-00-0X }

SPECIFICATION CONTROL DRAWING

UNLESS OTHERWISE SPECIFIED DIMENSIONS ARE IN INCHES. METRIC DIMENSIONS ARE IN BRACKETS.	DRAWN	MFORONDA	01/14/03		<b>Raychem Products</b> 305 Constitution Drive Menlo Park, CA. 94025 USA		
	CHECKED						
	APPROVED	M.HIGGY	01/14/03	TITLE KITS FOR D-621 THREADED 400 SERIES TRIAXIAL CONNECTORS WITH FLUOROSILICONE GASKET (FOR TWINAXIAL CABLES)			
	APPROVED						
DECIMALS .XXX ± _____ .XX ± _____ ANGLES _____	CAD NAME: T31541.dwg			SIZE	CODE IDENT. NO.	DWG. NO.	REV
WEIGHT ---	THIRD ANGLE PROJECTION			A	06090	<b>DK-621-0411F-X/0412F-X</b>	N/C
				DO NOT SCALE THIS DRAWING		SHEET 1 OF 1	

