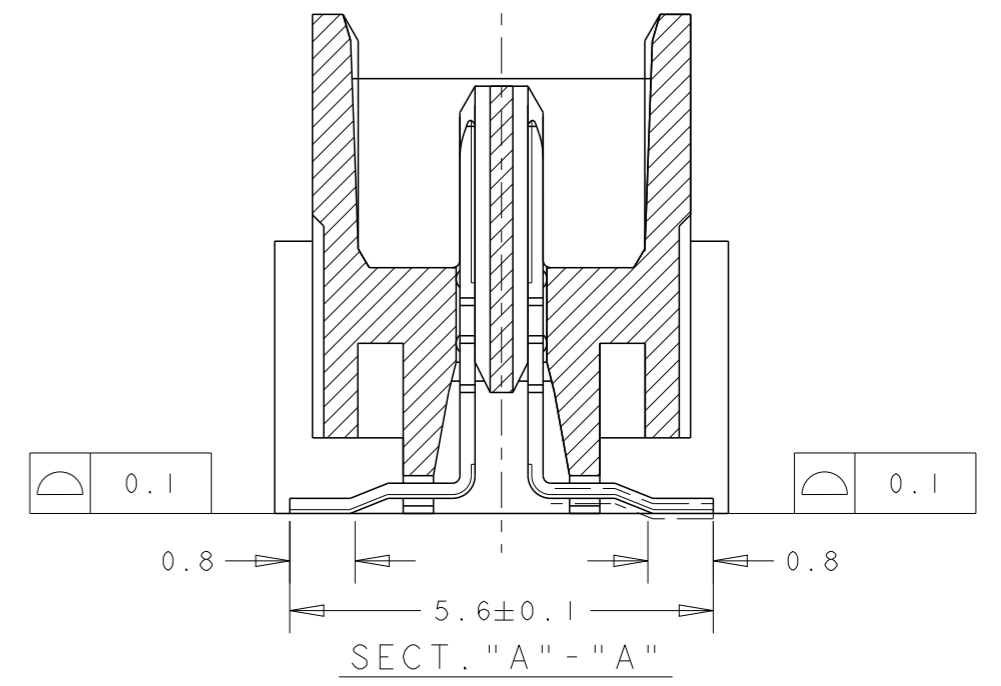
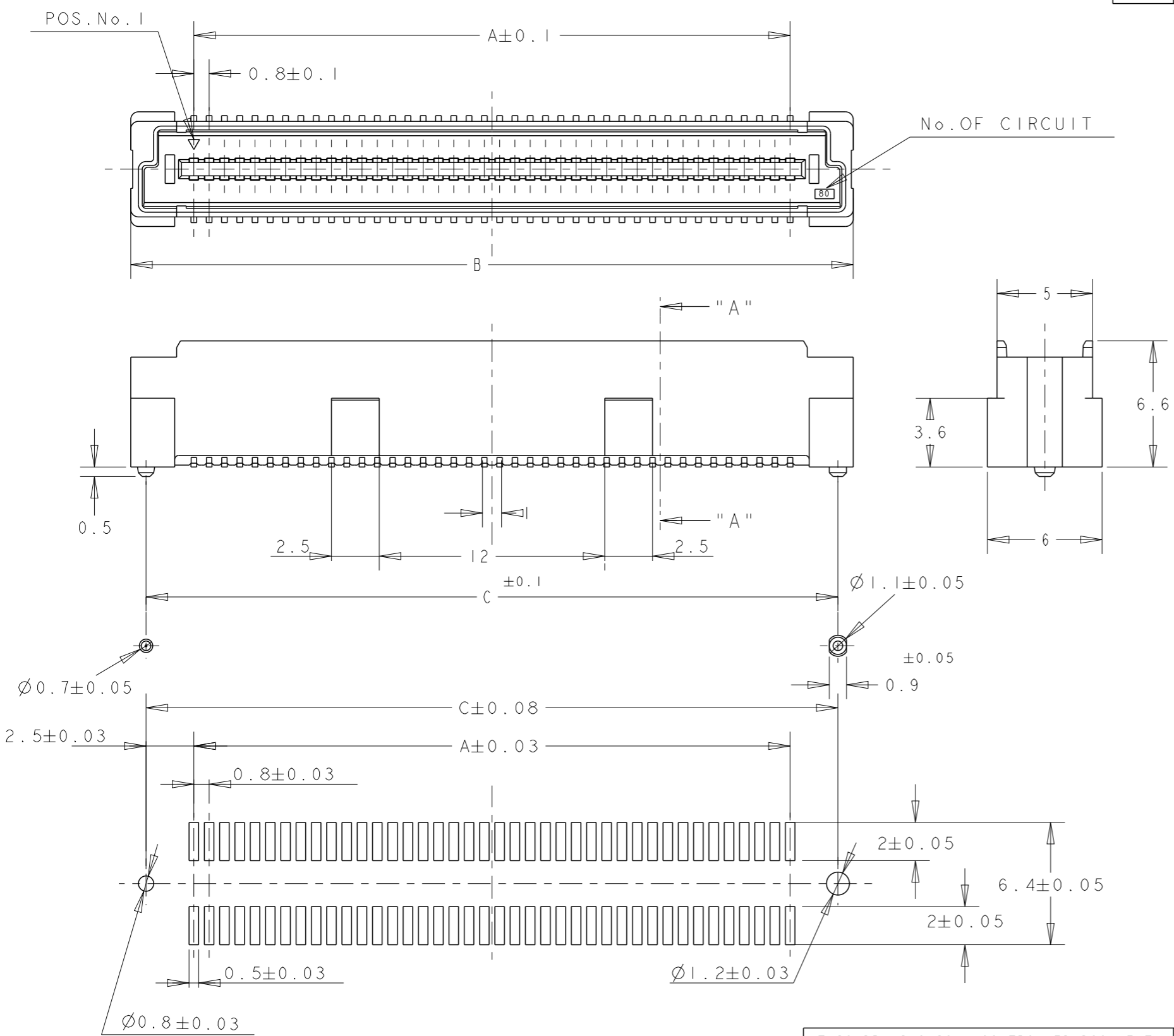


THIS DRAWING IS UNPUBLISHED. RELEASED FOR PUBLICATION 20
 © COPYRIGHT 20 BY - ALL RIGHTS RESERVED.


| LOC | DIST | REVISIONS | | | |
|-----|------|-------------|---------------------------|---------|-------|
| P | LTR | DESCRIPTION | DATE | DWN | APVD |
| DY | - | B2 | REVISED PER ECR-12-021394 | 12DEC12 | IT SY |



- NOTES:
- 1 MATERIAL:
HOUSING: L.C.P. (HIGH TEMP THERMO PLASTIC)
UL 94V-0, NATURAL.
CONTACT: BRASS.
 - 2 FINISH:
CONTACT AREA: 0.0002 MIN GOLD ON
0.0013 MIN ALL OVER NICKEL.
 - 3 SOLDERING AREA: 0.002 MIN MATTE-TIN.
 - 4 POSITION SERIES: SEE TABLE.
CONN STACK HEIGHT COMBINE OF PLUG "Y" H VS REC "X" H.
STACK HEIGHT = Y + X - 5
 - 5 FINISH:
CONTACT AREA: 0.00076 MIN GOLD ON
0.0013 MIN ALL OVER NICKEL.
SOLDERING AREA: 0.002 MIN MATTE-TIN.
 - 6 OBSOLETE PARTS: OBSOLETE CIS STREAMLINING PER
D.RENAUD/D.SINISI.
 - 7 FINISH:
CONTACT AREA: 0.00038 MIN GOLD ON
0.0013 MIN ALL OVER NICKEL.
SOLDERING AREA: 0.002 MIN MATTE-TIN.

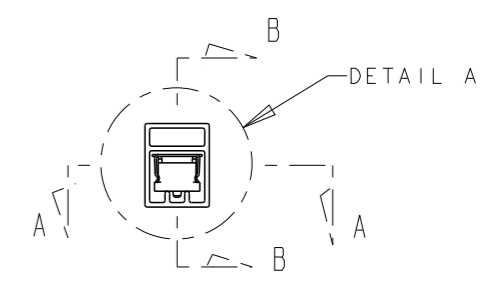
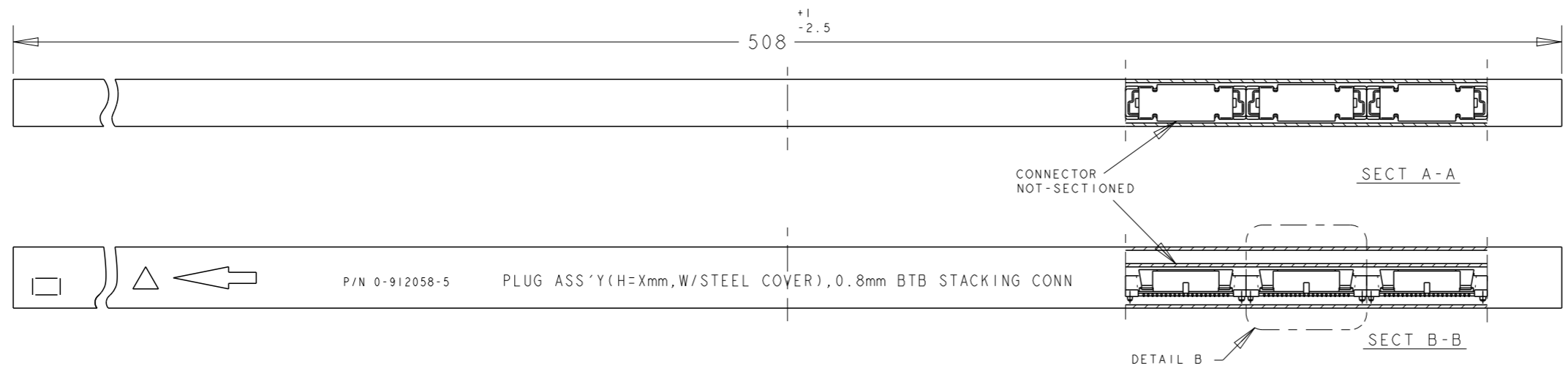
RECOMMENDED P.C. BOARD LAYOUT

P/N SEE SHEET 2 AND 3 OF 3

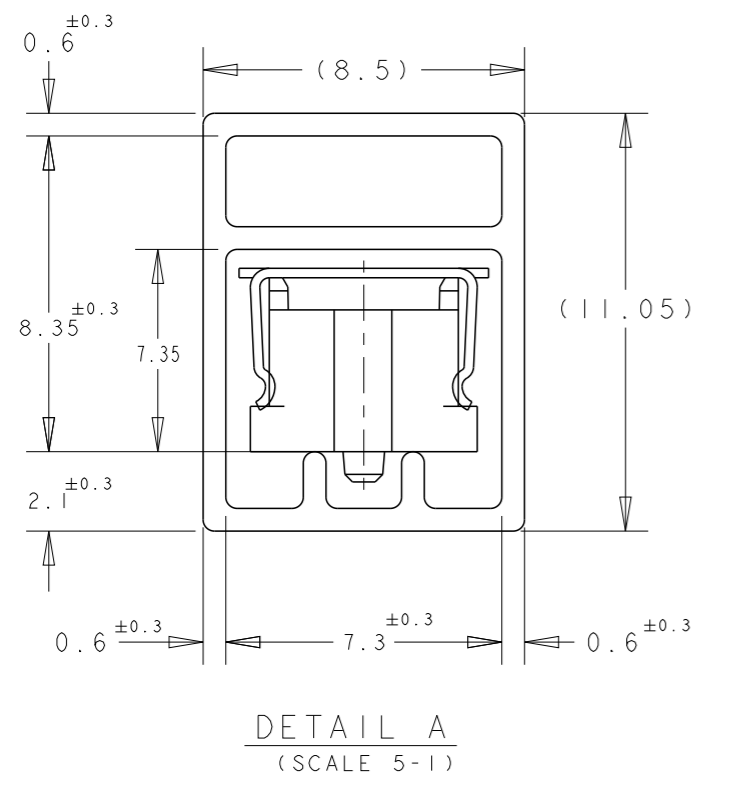
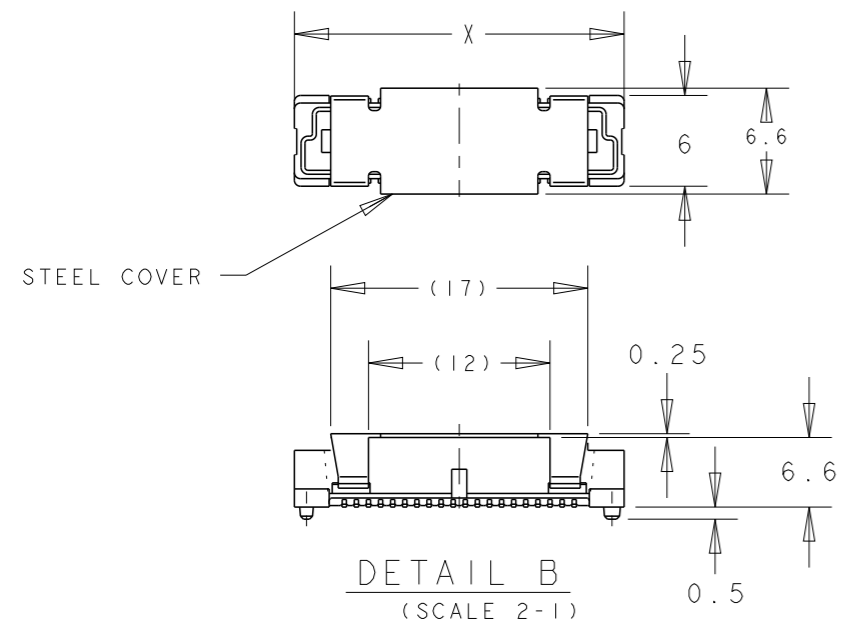
| | | | | |
|---|--|--------------------------------|---|-----------------|
| THIS DRAWING IS A CONTROLLED DOCUMENT. | | DWN FLORENCE TAN 30AUG04 |  TE Connectivity | |
| DIMENSIONS: mm | | CHK ERIC TNG | | |
| TOLERANCES UNLESS OTHERWISE SPECIFIED: | | APVD SE LEONG | NAME PLUG ASSEMBLY 7H TYPE (0.5 BOSS LENGTH) FOR FH 0.8mm PITCH BTB CONNECTOR | |
| 0 PLC ± 1 PLC ±0.30 2 PLC ±0.25 3 PLC ±0.20 4 PLC ± ANGLES ±3° | | PRODUCT SPEC 108-5390 | SIZE A300779 | |
| MATERIAL | | APPLICATION SPEC 114-5254 | DRAWING NO C-5179030 | |
| FINISH SEE P/N TABLE | | WEIGHT - | RESTRICTED TO - | |
| | | CUSTOMER DRAWING | SCALE 4:1 | SHEET 1 OF 3 |
| | | | | REV B2 |

THIS DRAWING IS UNPUBLISHED. RELEASED FOR PUBLICATION 20
 © COPYRIGHT 20 BY - ALL RIGHTS RESERVED.

| | | | | |
|-----------|-----------|-------------|------|-------------|
| LOC DY | DIST - | REVISIONS | | |
| P | LTR | DESCRIPTION | DATE | DWN APVD |
| | | SEE HEET I | | |



PLUG TUBE ASSY WITH STEEL COVER FOR FH 0.8 B-T-B CONNECTOR



| | | | | | | | | |
|--------------------------|------------------|-----------|------|------|-------------|-----|----|----|
| CNT PLT 30Au/Sn △5 | AVAILABLE | 5 | 85.8 | 200 | 3- | -0 | | |
| | | 6 | 77.8 | 180 | 2- | -9 | | |
| | | 6 | 69.8 | 160 | 2- | -8 | | |
| | WITH STEEL COVER | AVAILABLE | △6 | 7 | 65.8 | 150 | 2- | -7 |
| | | | 7 | 61.8 | 140 | 2- | -6 | |
| | | | 9 | 53.8 | 120 | 2- | -5 | |
| | | | 10 | 45.8 | 100 | 2- | -4 | |
| | | | 12 | 37.8 | 80 | 2- | -3 | |
| | | | 16 | 29.8 | 60 | 2- | -2 | |
| | | 22 | 21.8 | 40 | 2-5179030-1 | | | |
| FINISH/REMARKS | AVAILABILITY | QTY/TUBE | X | POS. | CONN P/N | | | |

| | | | | |
|---|--|--------------------------------|--|-----------------|
| THIS DRAWING IS A CONTROLLED DOCUMENT. | | DWN FLORENCE TAN 30AUG04 | STE TE Connectivity | |
| DIMENSIONS: mm | | CHK ERIC TNG | | |
| TOLERANCES UNLESS OTHERWISE SPECIFIED: | | APVD SE LEONG | NAME PLUG ASSEMBLY 7H TYPE (0.5 BOSS LENGTH) FOR FH 0.8mm PITCH BTB CONNECTOR | |
| 0 PLC ±- 1 PLC ±0.30 2 PLC ±0.25 3 PLC ±0.20 4 PLC ±- ANGLES ±3° | | PRODUCT SPEC 108-5390 | SIZE A300779 | |
| MATERIAL | | APPLICATION SPEC 114-5254 | DRAWING NO C-5179030 | |
| FINISH SEE P/N TABLE | | WEIGHT - | RESTRICTED TO - | |
| | | CUSTOMER DRAWING | SCALE 4:1 | SHEET 3 OF 3 |
| | | | | REV B2 |

PROJ NO. 593-312