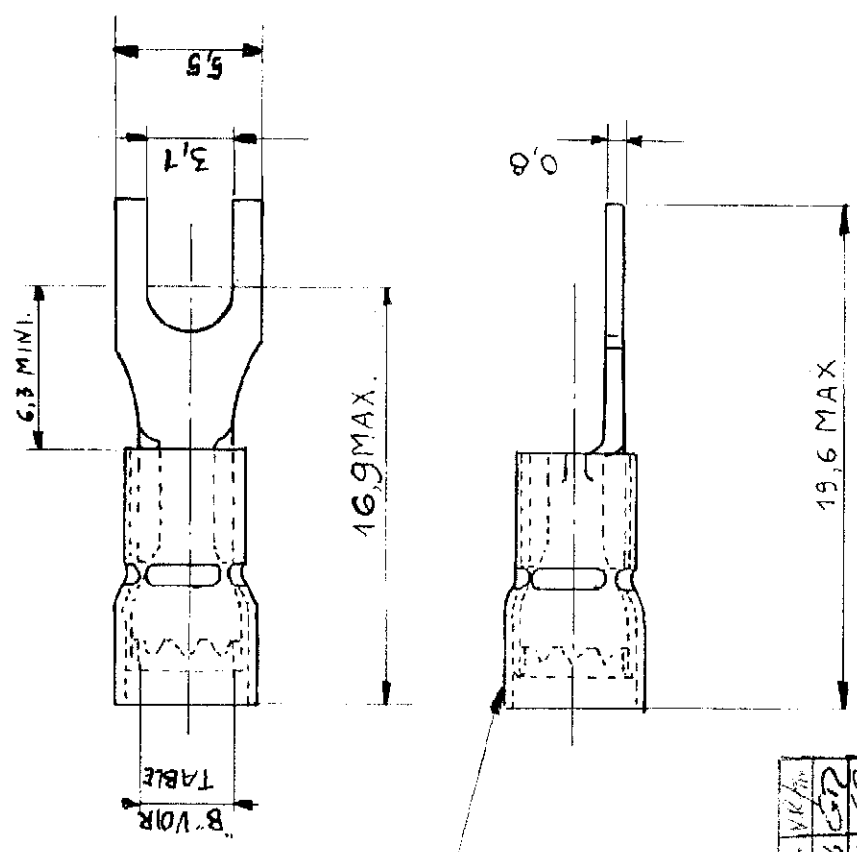


C 130 521

DIMENSIONS IN mm. DO NOT SCALE PRINT



ISOLANT ROUGE

REV	REVISIONS	DATE	BY
B1	REV. PER REC 06-04-80	10/16	VK/m
B	Revised	03/96	GP
A	Ajouté 130521-1	10/84	GP
A	16,9 doit 103 717	14.5.74	GP

**CUSTOMER PRINT  
FOR REFERENCE ONLY**

© 1959 BY AMP INCORPORATED. ALL RIGHTS RESERVED. AMP PRODUCTS COVERED BY PATENTS AND/OR PATENTS PENDING.

AMP 1252

130521-1	4
130521	3,3
N° ASSEMB.	"B"

ITEM NO.		REMARKS	
FINISH		E T A M E	
DR. MASSIEUX 17.10.53	DATE APP.	DATE REL.	DATE
CHK.	DATE APP.	DATE FIRST USED	
TYPE	PRINT	DIST.	LOC
BS	F		
PIDG	A	SIZE	NUMBER
CMA			C 130 521
MAX		NAME	
MIN			COSSE A FOURCHE
DESCRIPTION			