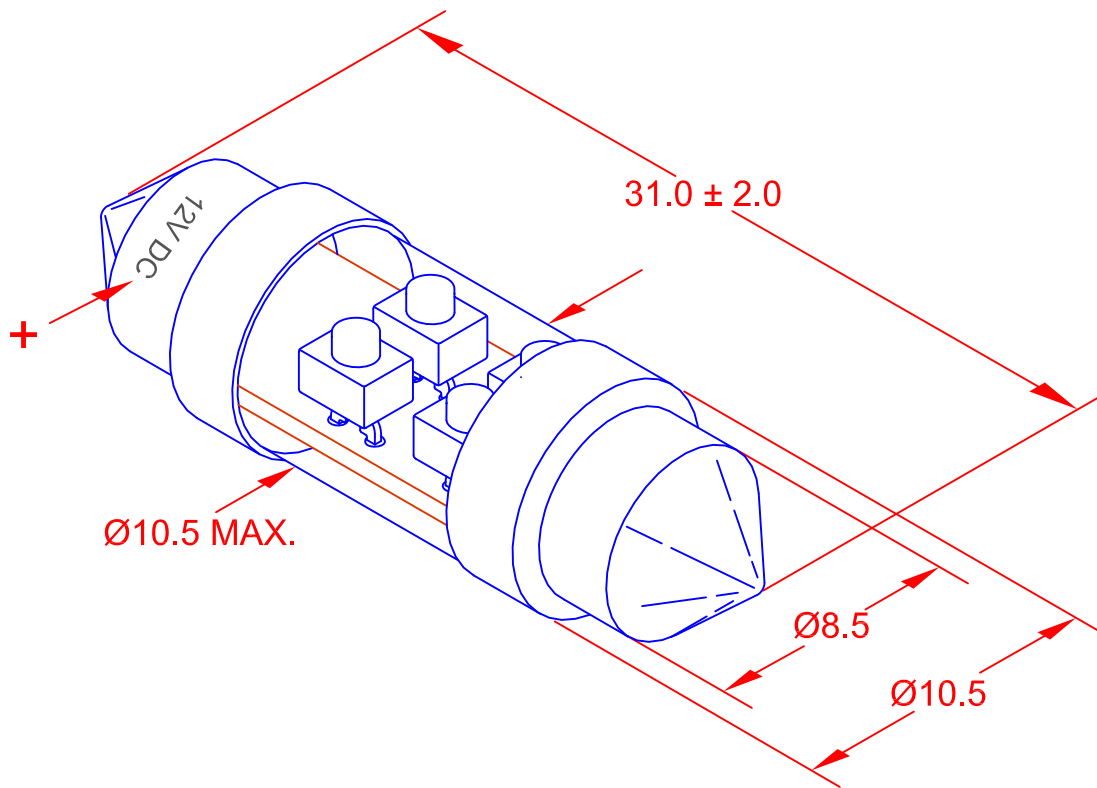


# LED FESTOON LAMP



**NOTES:**

1. LED includes integrated diode for reverse voltage protection.
2. LED includes integrated resistor for current limiting.

**TYPICAL ELECTRICAL & OPTICAL OPERATING CHARACTERISTICS**

(Ta = 25 degree C)

PART NUMBER	EMITTING COLOR	AMPERAGE mA	VOLTAGE Vdc	LUMENS
LE-1031-02W	WHITE 9000K	20mA	12	7.6

<p>METRIC</p> <p>THIRD ANGLE PROJECTION</p>			<p>DIMENSIONS ARE IN MILLIMETERS</p> <p>TOLERANCE UNLESS OTHERWISE SPECIFIED</p> <p>1 PL +/- 0.2</p> <p>2 PL +/- 0</p> <p>ANGLE +/- 0</p>			<p><b>JKL</b> COMPONENTS CORPORATION</p>				
<p>RELEASE</p>			<p>7/15/13</p>			<p>TITLE</p> <p>LED FESTOON LAMP</p>				
<p>APPV'D DATE</p>			<p>APPV'D BY DATE</p> <p>L.R. 7/15/13</p>			<p>SIZE</p> <p><b>A</b></p>	<p>FSCM NO.</p> <p><b>55335</b></p>	<p>DRAWING NO.</p> <p><b>LE-1031-02W</b></p>		
<p>DESCRIPTION/ECO NUMBER</p>			<p>- CAD DRAWING -</p> <p>MANUAL REVISIONS NOT PERMITTED</p>			<p>SCALE</p> <p>NONE</p>	<p>RELEASED DATE</p> <p>7/15/13</p>	<p>REVISION DATE</p>	<p>REV. NO.</p>	<p>SHEET</p> <p>1 OF 1</p>