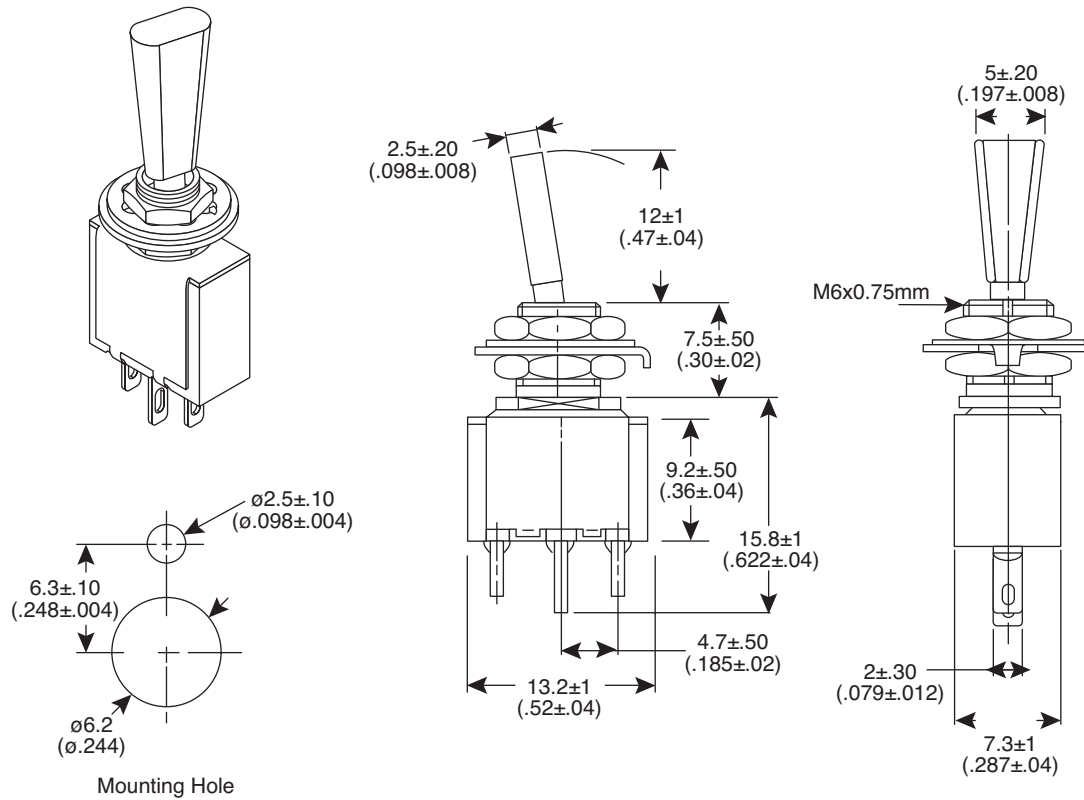


Dimensions: mm (in.)

**Electrical Specifications:**

- Rating: 6A/125VAC, 3A/250VAC
- Contact resistance: 50m Ω max
- Insulation resistance: 500VDC 100M Ω min
- Dielectric Strength: 1000VAC for 1 minute

Mechanical Specifications:

- Operating temperature: -20°C ~ +65°C
- Circuit operations: 3P SPDT On-Off-On

Note:

- RoHS Compliant by Exemption.

Miniature Toggle Switch
1055-TA2135B-EVX

Mountain
Switch