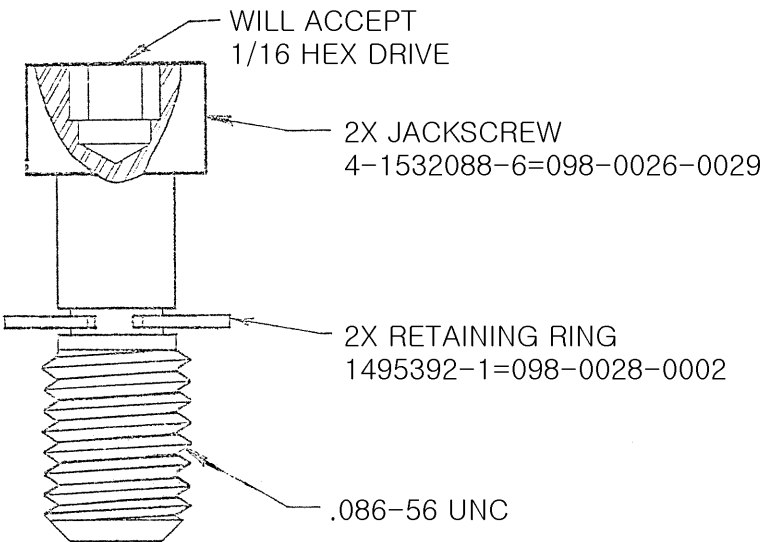


THIS DRAWING IS UNPUBLISHED. RELEASED FOR PUBLICATION
 © COPYRIGHT - By - ALL RIGHTS RESERVED.

LOC		DIST		REVISIONS			
P	LTR	DESCRIPTION		DATE	DWN	APVD	
	A	DRAWING RELEASE		07DEC2011	CEP	CEP	



NOTES:

- PARTS TO BE PACKAGED LOOSE AND NOT ASSEMBLED.

THIS DRAWING IS A CONTROLLED DOCUMENT.		DWN CRAIG PREVOST 06DEC2011	STE TE Connectivity	
		CHR CRAIG PREVOST 07DEC2011		
DIMENSIONS: INCHES		TOLERANCES UNLESS OTHERWISE SPECIFIED:		APVD CRAIG PREVOST 07DEC2011
		0 PLC ± -	NAME M83513/05-02 HARDWARE KIT (2-56 UNC) JACKSCREW ASSEMBLY, LOW PROFILE, ALLEN HEAD S96-0002-0087 (RM)	
		1 PLC ± -	PRODUCT SPEC	
		2 PLC ± -	APPLICATION SPEC	
		3 PLC ± -	SIZE A3	
		4 PLC ± -	CAGE CODE 98278	
		ANGLES ± -	DRAWING NO C- 5-1532137-5	
MATERIAL		FINISH	RESTRICTED TO	
			-	
CUSTOMER DRAWING			SCALE N/A	SHEET 1 OF 1
			REV A	