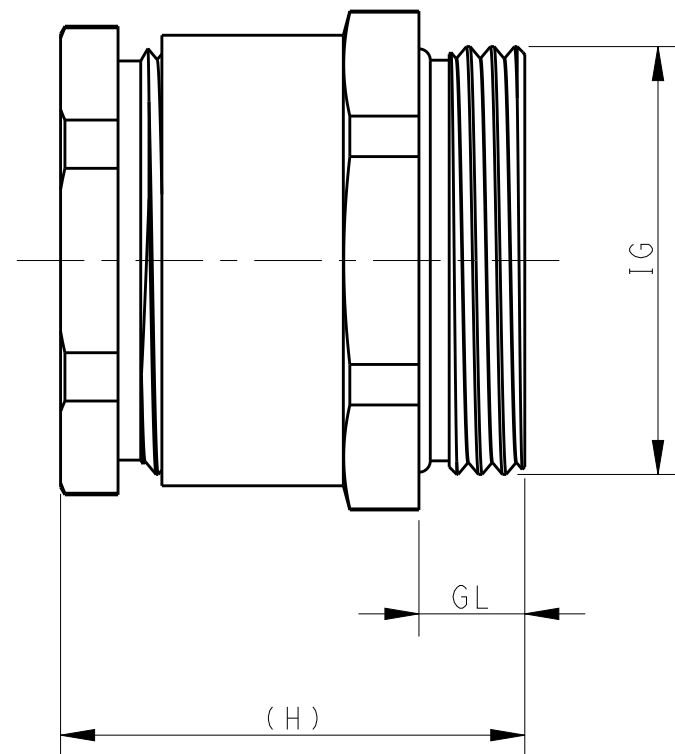
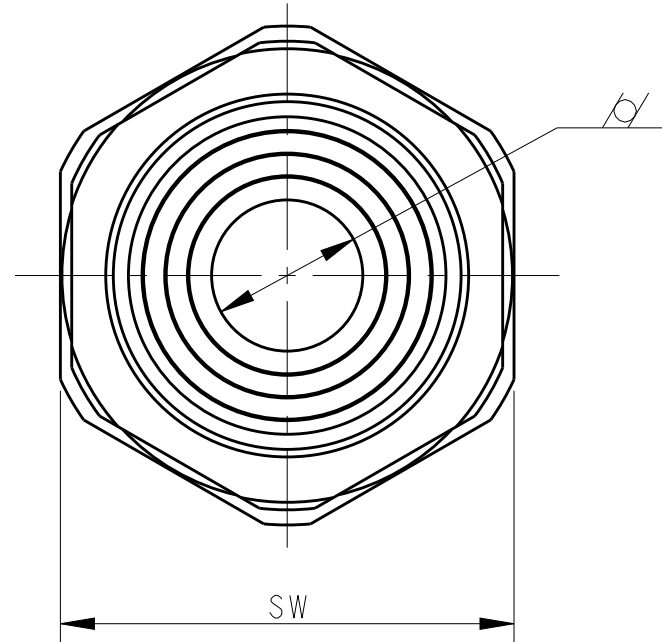
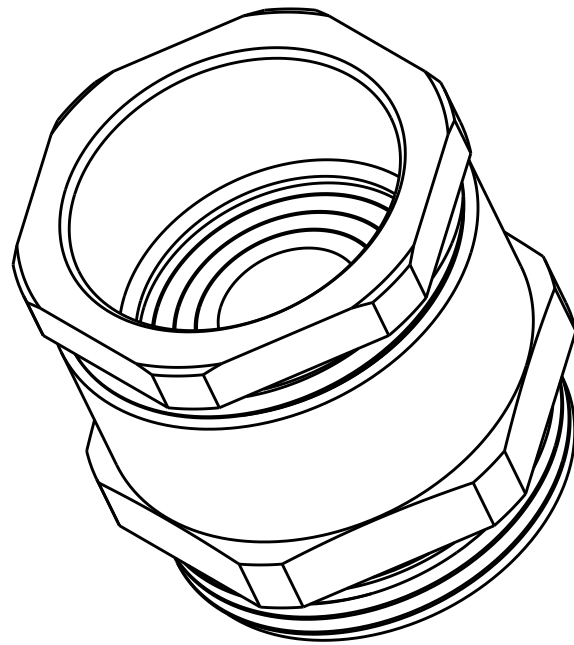


THIS DRAWING IS UNPUBLISHED. RELEASED FOR PUBLICATION 20  
 © COPYRIGHT 20 BY - ALL RIGHTS RESERVED.

REVISIONS				
P	LTR	DESCRIPTION	DATE	APVD
	A	INITIAL	06JUN2016	YC CW



NOTE:  
 I. TECHNICAL CHARACTERISTICS:  
 SHELL MATERIAL : BRASS, NICKEL PLATED  
 SEAL MATERIAL : NBR  
 PROTECTION DEGREE : IP65  
 WIRE RANGE : SEE TABLE

注释:  
 I. 技术参数:  
 主体材料: 铜镀镍  
 密封材料: NBR  
 防护等级: IP65  
 夹线范围: 见表格

T3101320102-000	METAL FLAT GLANDS WITH MULTIPLE SEAL M32 金属平口接头(带多层密封圈) M32	DCSM-32-M	18-27	M32X1.5	40	19	33.1	8
T3101250102-000	METAL FLAT GLANDS WITH MULTIPLE SEAL M25 金属平口接头(带多层密封圈) M25	DCSM-25-M	10-19	M25X1.5	30	10	30.7	7
T3101200102-000	METAL FLAT GLANDS WITH MULTIPLE SEAL M20 金属平口接头(带多层密封圈) M20	DCSM-20-M	7-12	M20X1.5	20	7.5	24.8	6
T3101160102-000	METAL FLAT GLANDS WITH MULTIPLE SEAL M16 金属平口接头(带多层密封圈) M16	DCSM-16-M	5-10	M16X1.5	17	7.5	24.6	6
T3101480101-000	METAL FLAT GLANDS WITH MULTIPLE SEAL PG48 金属平口接头(带多层密封圈) PG48	DCSM-48	36-45	PG48	64	40	47.5	10
T3101420101-000	METAL FLAT GLANDS WITH MULTIPLE SEAL PG42 金属平口接头(带多层密封圈) PG42	DCSM-42	30-39	PG42	57	30.5	45.4	10
T3101360101-000	METAL FLAT GLANDS WITH MULTIPLE SEAL PG36 金属平口接头(带多层密封圈) PG36	DCSM-36	24-33	PG36	50	24	40.4	9
T3101290101-000	METAL FLAT GLANDS WITH MULTIPLE SEAL PG29 金属平口接头(带多层密封圈) PG29	DCSM-29	18-27	PG29	40	19	31.6	6.5
T3101210101-000	METAL FLAT GLANDS WITH MULTIPLE SEAL PG21 金属平口接头(带多层密封圈) PG21	DCSM-21	10-19	PG21	30	10	30.7	7
T3101160101-000	METAL FLAT GLANDS WITH MULTIPLE SEAL PG16 金属平口接头(带多层密封圈) PG16	DCSM-16	7-12	PG16	24	7.5	28.4	6.5
T3101130101-000	METAL FLAT GLANDS WITH MULTIPLE SEAL PG13.5 金属平口接头(带多层密封圈) PG13.5	DCSM-13.5	7-12	PG13.5	22	7.5	25.8	6.5
T3101110101-000	METAL FLAT GLANDS WITH MULTIPLE SEAL PG11 金属平口接头(带多层密封圈) PG11	DCSM-11	7-12	PG11	20	7.5	25.3	6
T3101090101-000	METAL FLAT GLANDS WITH MULTIPLE SEAL PG9 金属平口接头(带多层密封圈) PG9	DCSM-9	5-10	PG9	17	5	23.6	6
ASSEMBLY PART NUMBER 成品料号	ASSEMBLY PART DESCRIPTION 成品描述	TYPE 类型	WIRE RANGE 夹线范围	IG	SW	∅	H	GL

THIS DRAWING IS A CONTROLLED DOCUMENT.

DWN YORK CHEN 6 JUN 2016	TE Connectivity					
CHK KYLE ZENG 6 JUN 2016						
APVD CHRIS WANG 6 JUN 2016						
NAME METAL FLAT GLANDS WITH MULTIPLE SEAL						
DIMENSIONS: mm	TOLERANCES UNLESS OTHERWISE SPECIFIED:	PRODUCT SPEC	SIZE	CAGE CODE	DRAWING NO	RESTRICTED TO
0 PLC ±	1 PLC ±	-	A2	00779	C-T3101XX010X000	-
2 PLC ±	3 PLC ±	-	SCALE	2:1	SHEET	1 OF 1
4 PLC ±	ANGLES ±	-	CUSTOMER DRAWING	REV	A	
MATERIAL	FINISH	WEIGHT				