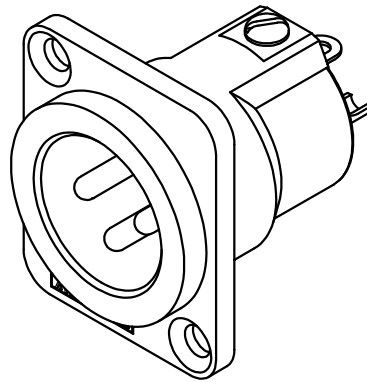


PANEL CUT OUT



ISO VIEW

| AC*MDZ | INSERT No. |
|---------|--------------|
| AC3MDZ | 156-4066-*00 |
| AC3MMDZ | 156-4068-*00 |
| AC4MDZ | 156-4069-*00 |
| AC5MDZ | 156-4070-*00 |
| AC6AMDZ | 156-4071-*00 |
| AC7MDZ | 156-4072-*00 |

| | | | | |
|------|--|------|----------|--------|
| 3 | UPDATE TO AMPHENOL TITLE BLOCK & LOGO ADD SHEET 2 OF 2 FOR CUSTOMER DRAWING | L.V | 02-10-01 | 7869 |
| 2 | UPDATE TO AMPHENOL TITLE BLOCK & LOGO INCLUDE THE CONNECTOR ASSEMBLY VIEW | L.V | 01-11-00 | 7661 |
| 0 | FIRST ISSUE | R.D. | 22-09-95 | ---- |
| REV. | CHANGE DETAILS | BY | DATE | CHG/No |

| | | | | | |
|--|--------------|--|------------------------|----------------|------------------|
| UNLESS OTHERWISE SPECIFIED TOLERANCE TO BE | | THIS DOCUMENT IS THE PROPERTY OF AMPHENOL AUSTRALIA PTY. LTD.. NO PART THEREOF MAY BE REPRODUCED AND USED WITHOUT THE PRIOR WRITTEN CONSENT OF THE OWNER | | | |
| LINEAR | ANGULAR | CAD FILE: 00819103 | DRN: R.D. | DATE: 22-09-95 | TITLE: |
| X ± 1 | X' ± 1' | MATL: REFER TO COMPONENT | CKD: M.N.H | DATE: 24-10-01 | AC*MDZ |
| X.X ± 0.5 | X'X' ± 30' | FINISH: REFER TO COMPONENT | APP'D: P.M | DATE: 29-10-01 | PANEL MOUNT |
| X.XX ± 0.10 | X'X'X' ± 15' | DO NOT SCALE | THIRD ANGLE PROJECTION | SCALE: 2:1 UOS | CUSTOMER DRAWING |
| DIMENSIONS IN MILLIMETRES | | PART No: 128459-0000 | | SIZE: A3 | Amphenol |
| | | DRAWING NO. 128459-0000 | | SHEET 2 OF 2 | |
| | | Amphenol Australia Pty Ltd, 2 Fineways Blvd, Keesborough, Vic 3173 | | | |