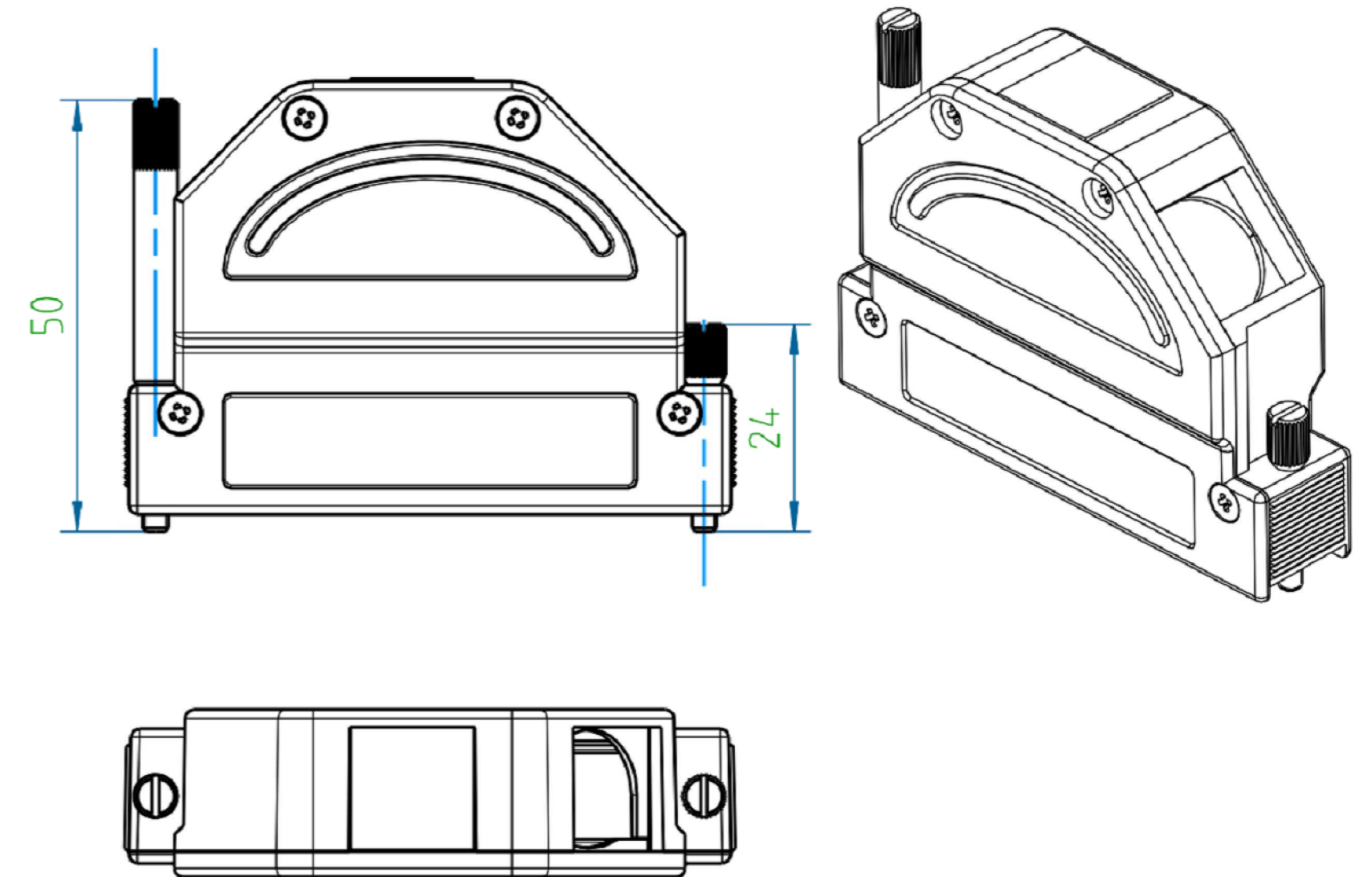
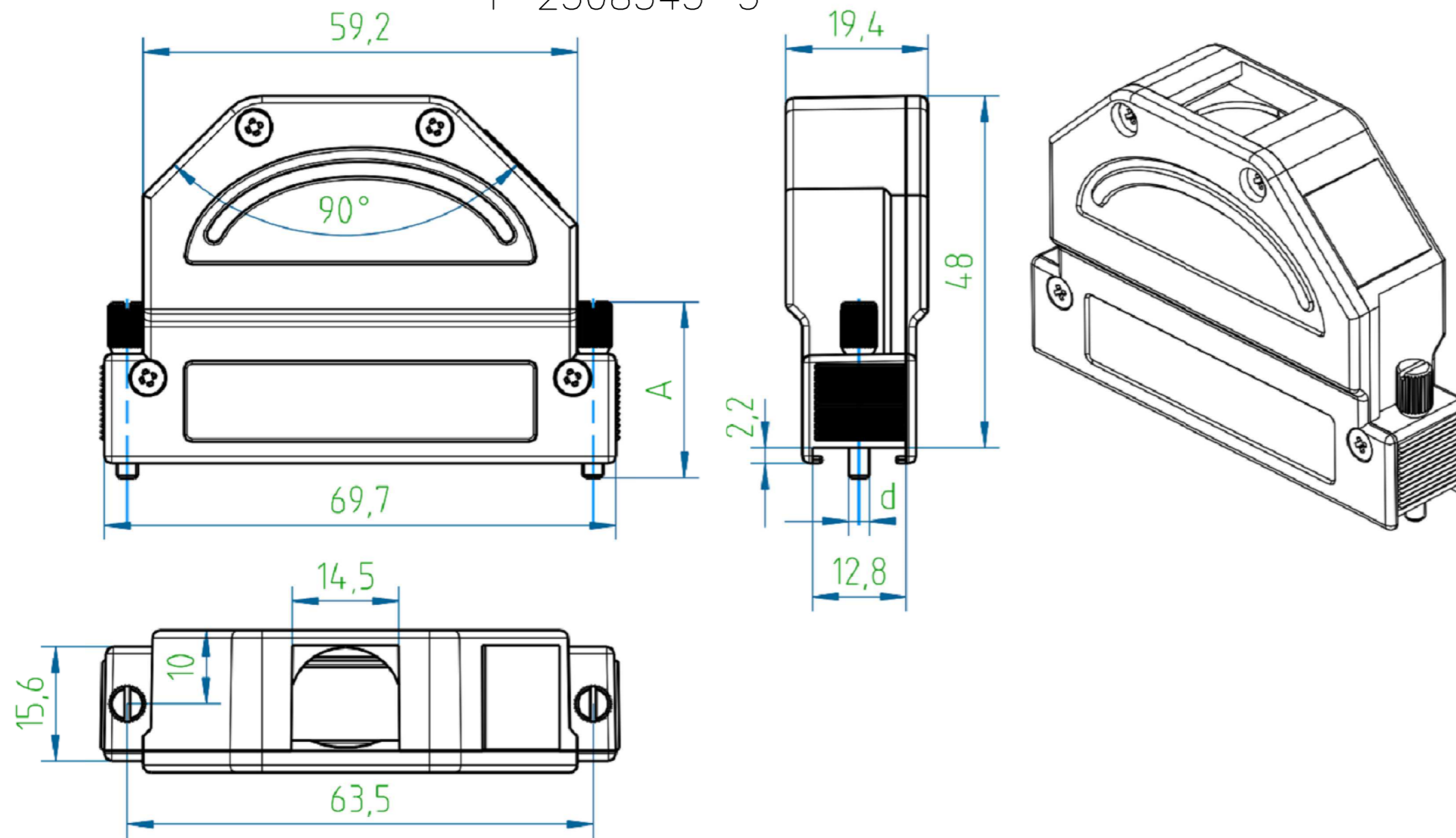


THIS DRAWING IS UNPUBLISHED.		RELEASED FOR PUBLICATION	
© COPYRIGHT - By -		ALL RIGHTS RESERVED.	
PROJECT	PRJ-16-000909157		
PART NO.	X-2308345-X		
DESCRIPTION	FULL METAL HOODS SIZE 4		
CUSTOMER	GENERAL MARKET		

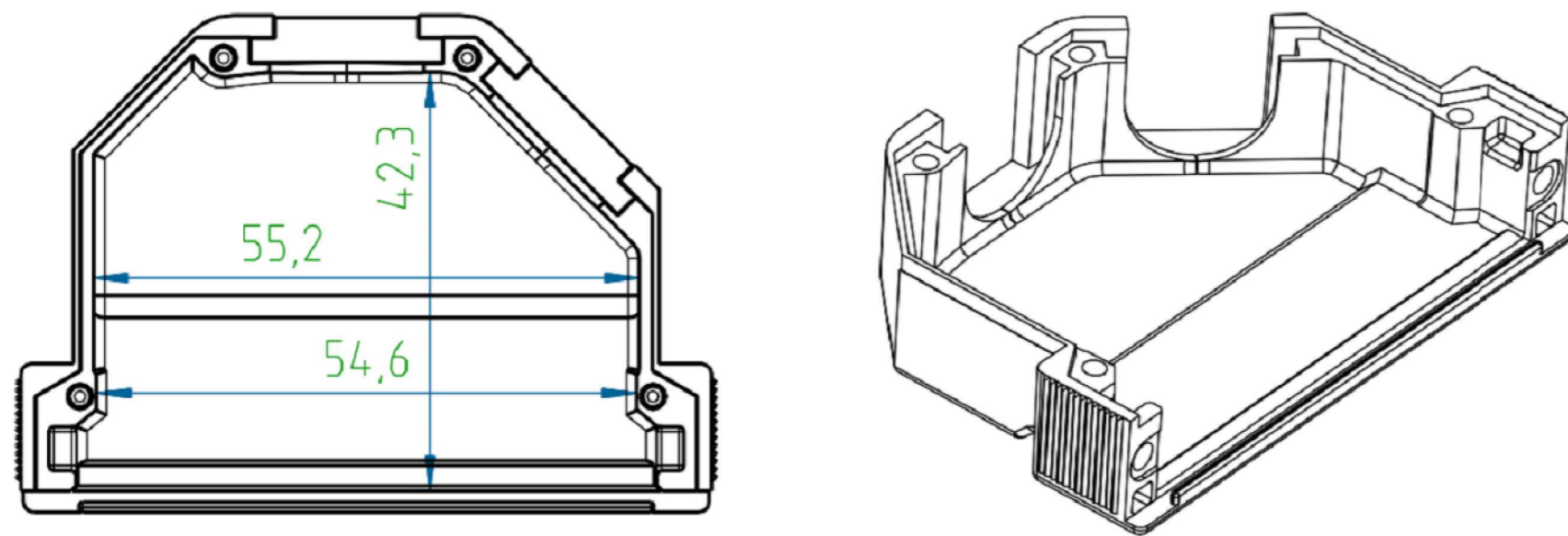
REVISIONS					
P	LTR	DESCRIPTION	DATE	DWN	APVD
	A1	REVISED PER ECR-16-013123	19SEP2016	KK	GG

1-2308345-3

1-2308345-7



Case



NOTES:

- FINISH:  
1-2308345-1 TO 1-2308345-8 - CASE RAW  
1-2308345-9 TO 2-2308345-6 - CASE NICKEL-PLATED
- LOCKING SCREWS: NICKEL-PLATED  
OTHER SCREWS: ZINC-PLATED
- TEMPERATURE RANGE: -40°C TO +90°C
- CABLE DIAMETER WITH EXTERNAL DIAMETER CABLE CLAMP: 8-16 mm.
- STRAND DIAMETER OF CRIMP FLANGE: 3.7-10.7 mm.

THIS DRAWING IS A CONTROLLED DOCUMENT.		DWN KIRAN K 29JUL2016		
DIMENSIONS: mm		CHK GUNASEKHAR G 29JUL2016		
TOLERANCES UNLESS OTHERWISE SPECIFIED: DIN ISO 2768-m DIN 16901 130B		APVD GUNASEKHAR G 29JUL2016	RESTRICTED TO	
0 PLC ± - 1 PLC ± - 2 PLC ± - 3 PLC ± - 4 PLC ± - ANGLES ± -		PRODUCT SPEC	SIZE A2	CAGE CODE 00779
MATERIAL		APPLICATION SPEC	DRAWING NO G=2308345	REV A1
FINISH		WEIGHT	CUSTOMER DRAWING	SCALE NTS
			SHEET 1 of 2	

THIS DRAWING IS UNPUBLISHED. RELEASED FOR PUBLICATION  
 © COPYRIGHT - By - ALL RIGHTS RESERVED.

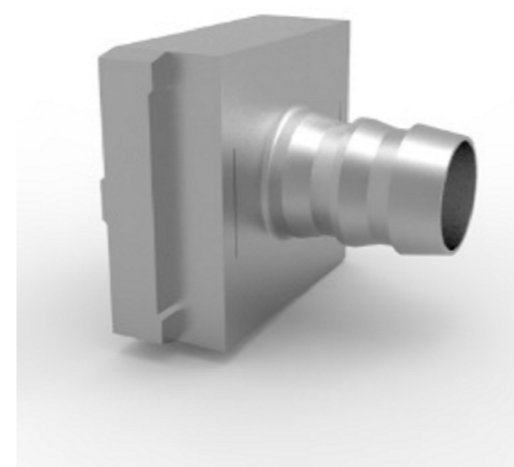
REVISIONS					
P	LTR	DESCRIPTION	DATE	DWN	APVD
-	-	SEE SHEET 1	-	-	-

PART NO.	DESCRIPTION	SUB-PART NO.	DESCRIPTION	S OVER	M3	98	
1-2308345-8	FULL METAL HOODS SIZE4-8	1-2308334-6	LOCKING SCREW (M3 LONG KNURLED)				
1-2308345-7	FULL METAL HOODS SIZE4-7	1-2308334-5	LOCKING SCREW (4-40 UNC LONG KNURLED)		4-40 UNC	98	
1-2308345-6	FULL METAL HOODS SIZE4-6	1-2308334-6	LOCKING SCREW (M3 LONG KNURLED)	50.0	M3	102	
1-2308345-5	FULL METAL HOODS SIZE4-5	1-2308334-5	LOCKING SCREW (4-40 UNC LONG KNURLED)	50.0	4-40 UNC	102	
1-2308345-4	FULL METAL HOODS SIZE4-4	1-2308334-4	LOCKING SCREW (M3 SHORT KNURLED)	24.0	M3	94	
1-2308345-3	FULL METAL HOODS SIZE4-3	1-2308334-3	LOCKING SCREW (4-40 UNC SHORT KNURLED)	24.0	4-40 UNC	94	
1-2308345-2	FULL METAL HOODS SIZE4-2	1-2308334-2	LOCKING SCREW (M3 W/SPRING WASHER)	20.7	M3	93	
1-2308345-1	FULL METAL HOODS SIZE4-1	1-2308334-1	LOCKING SCREW (4-40 UNC W/SPRING WASHER)	20.7	4-40 UNC	93	
				A	d	WEIGHT, g	
PART NO. (CASE RAW)		LOCKING SCREWS					

PART NO.	DESCRIPTION	SUB-PART NO.	DESCRIPTION	S OVER	M3	98	
2-2308345-6	FULL METAL HOODS SIZE4-16	1-2308334-6	LOCKING SCREW (M3 LONG KNURLED)				
2-2308345-5	FULL METAL HOODS SIZE4-15	1-2308334-5	LOCKING SCREW (4-40 UNC LONG KNURLED)		4-40 UNC	98	
2-2308345-4	FULL METAL HOODS SIZE4-14	1-2308334-6	LOCKING SCREW (M3 LONG KNURLED)	50.0	M3	102	
2-2308345-3	FULL METAL HOODS SIZE4-13	1-2308334-5	LOCKING SCREW (4-40 UNC LONG KNURLED)	50.0	4-40 UNC	102	
2-2308345-2	FULL METAL HOODS SIZE4-12	1-2308334-4	LOCKING SCREW (M3 SHORT KNURLED)	24.0	M3	94	
2-2308345-1	FULL METAL HOODS SIZE4-11	1-2308334-3	LOCKING SCREW (4-40 UNC SHORT KNURLED)	24.0	4-40 UNC	94	
2-2308345-0	FULL METAL HOODS SIZE4-10	1-2308334-2	LOCKING SCREW (M3 W/SPRING WASHER)	20.7	M3	93	
1-2308345-9	FULL METAL HOODS SIZE4-9	1-2308334-1	LOCKING SCREW (4-40 UNC W/SPRING WASHER)	20.7	4-40 UNC	93	
				A	d	WEIGHT, g	
PART NO. (CASE Ni-PLATED)		LOCKING SCREWS					

NOTE:

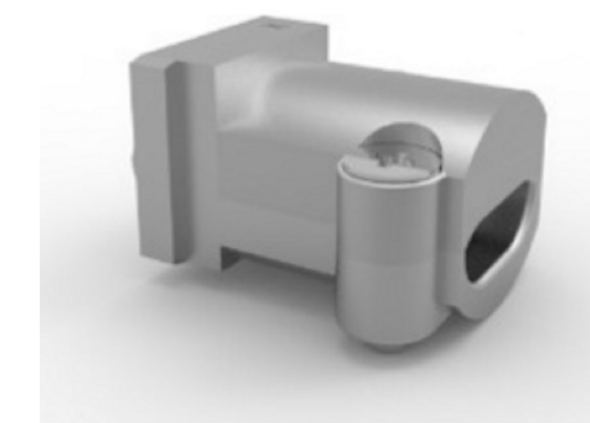
- \* CRIMP FLANGE PN \*-2308349-\* TO BE ORDERED SEPARATELY.
- \* CRIMP BARREL TO BE USED IN COMBINATION WITH THE FLANGE PN \*-2308350-\* TO BE ORDERED SEPARATELY.
- \* CABLE CLAMP SCREW VERSION PN \*-2308272-\* TO BE ORDERED SEPARATELY.



CRIMP FLANGE



CRIMP BARREL



CABLE CLAMP

THIS DRAWING IS A CONTROLLED DOCUMENT.		DWN KIRAN K 29JUL2016		
DIMENSIONS: mm		CHK GUNASEKHAR G 29JUL2016		
TOLERANCES UNLESS OTHERWISE SPECIFIED: DIN ISO 2768-m DIN 16901 130B		APVD GUNASEKHAR G 29JUL2016	NAME FULL METAL HOODS SIZE 4	
		PRODUCT SPEC	SIZE A2	
MATERIAL		APPLICATION SPEC	CAGE CODE 00779	DRAWING NO G=2308345
FINISH		WEIGHT	RESTRICTED TO	
		CUSTOMER DRAWING	SCALE NTS	SHEET 2 of 2
			REV A1	

2308345