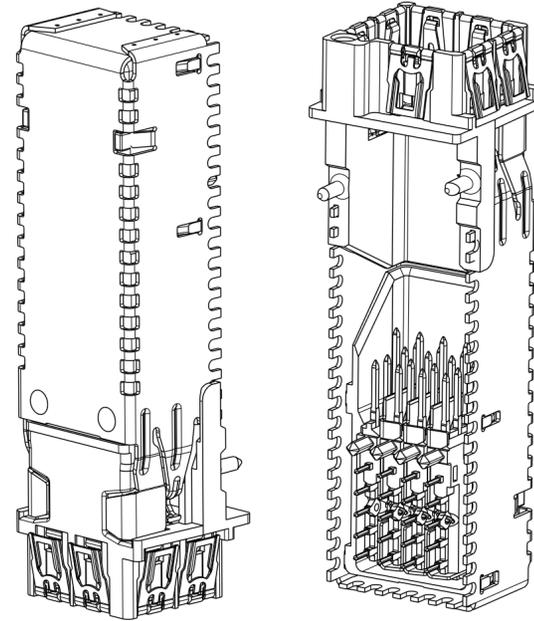
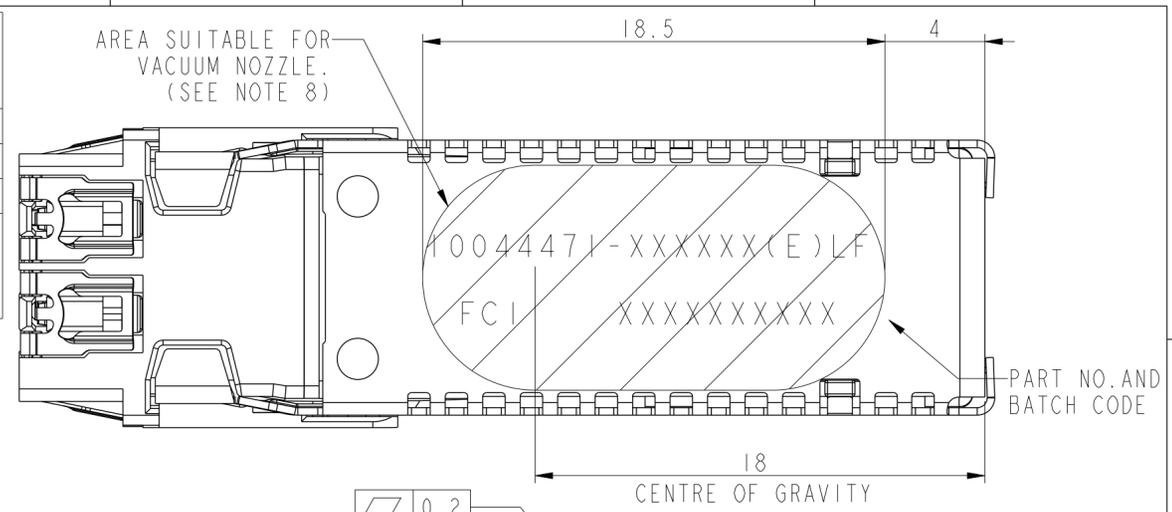
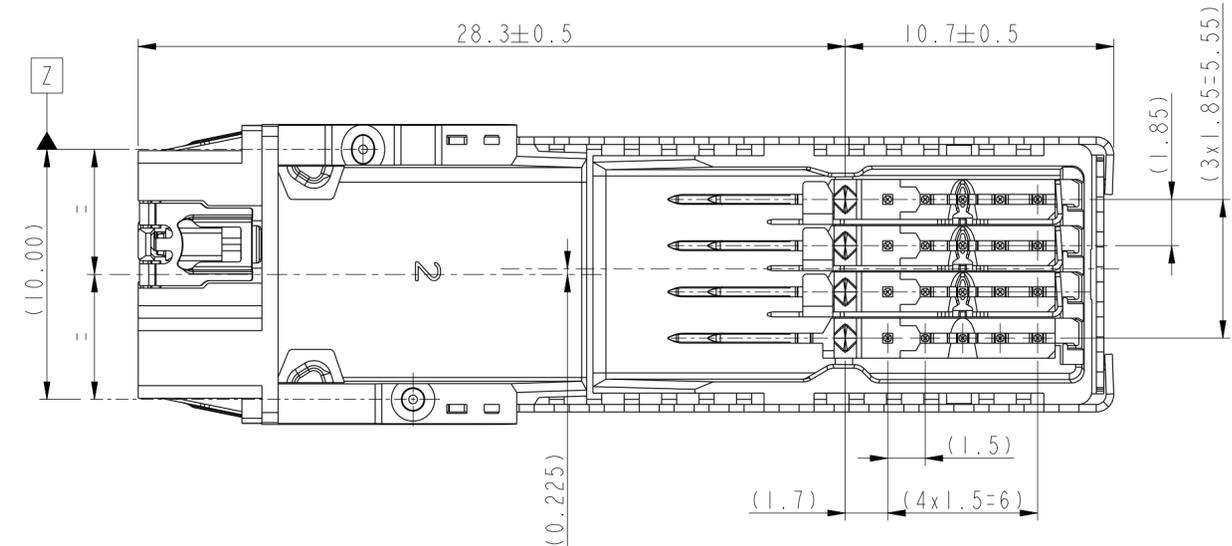
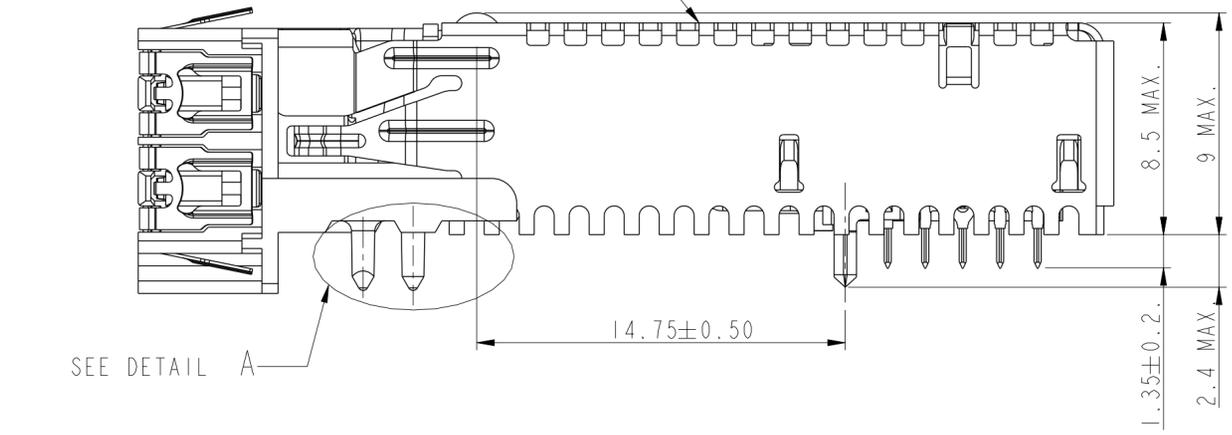
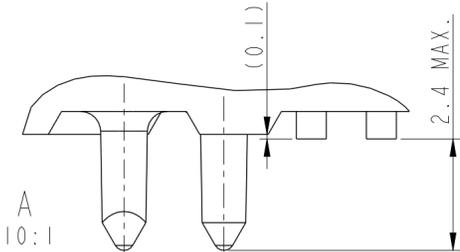
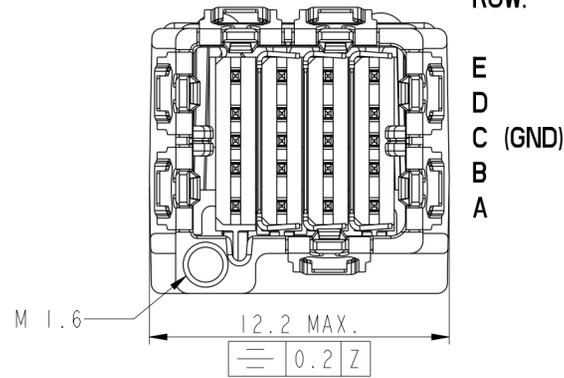


| PART NUMBERING | LOADING PATTERN | | | | PACKAGING (SEE NOTE 6) | REMARK |
|--------------------|----------------------|-----------------|-----------------|-----------------|---------------------------|--------------------------------------|
| | COLUMN 1 (NOTE 4) | COLUMN 2 | COLUMN 3 | COLUMN 4 | | |
| 10044471-120200LF | UNSHIELDED IMLA | EMPTY | UNSHIELDED IMLA | EMPTY | TAPE ON REEL | |
| 10044471-122220LF | UNSHIELDED IMLA | UNSHIELDED IMLA | UNSHIELDED IMLA | UNSHIELDED IMLA | TAPE ON REEL | |
| 10044471-121110LF | UNSHIELDED IMLA | SHIELDED IMLA | SHIELDED IMLA | SHIELDED IMLA | TAPE ON REEL | |
| 10044471-120200ELF | UNSHIELDED IMLA | EMPTY | UNSHIELDED IMLA | EMPTY | TAPE ON REEL | |
| 10044471-122220ELF | UNSHIELDED IMLA | UNSHIELDED IMLA | UNSHIELDED IMLA | UNSHIELDED IMLA | TAPE ON REEL | CUSTOMIZED LABEL FOR SPECIAL P/NS |
| 10044471-121110ELF | UNSHIELDED IMLA | SHIELDED IMLA | SHIELDED IMLA | SHIELDED IMLA | TAPE ON REEL | |



COLUMN: 1 2 3 4



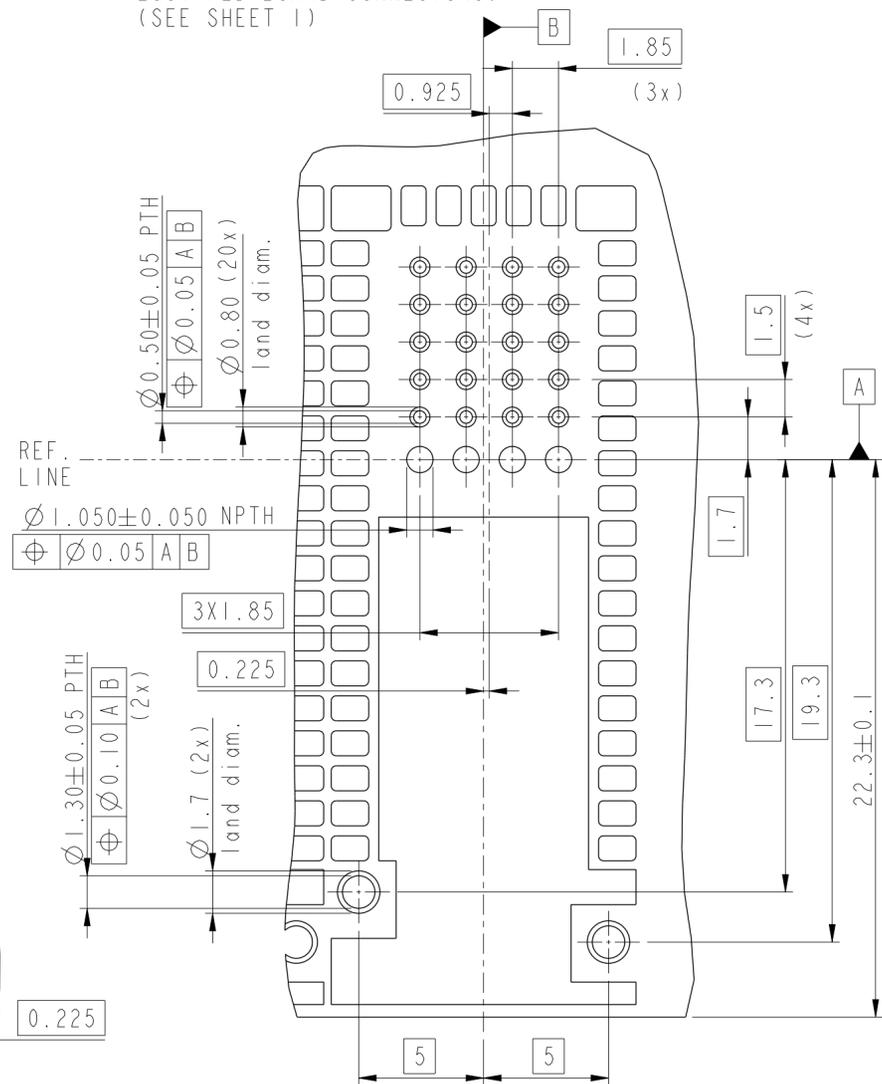
- NOTES:
- MATES WITH CABLE CONNECTOR 10044473-SERIES
 - MATERIALS:
DIECAST-ENTRY: ZINC ALLOY, PLATING/FINISH: Sn PLATED WITH Ni OVER Cu UNDERLAYER,
TOPCOVER - COPPER ALLOY, PLATING/FINISH: Sn PLATED WITH Ni UNDERLAYER,
SPRINGS - STAINLESS STEEL,
RETAINER - HIGH TEMPERATURE FLAME RETARDANT THERMOPLAST, COLOUR NATURAL,
VERTICAL SHIELDS - COPPER ALLOY, PLATING/FINISH: Sn WITH Ni UNDERLAYER,
HEADER IMLA'S - COPPER ALLOY OVERMOLDED WITH HIGH TEMPERATURE FLAME
RETARDANT THERMOPLAST, COLOUR BLACK,
LEADFRAME PLATING/FINISH: NICKEL UNDERPLATING, PALLADIUM-NICKEL ALLOY
WITH GOLD OVERPLATING IN CONTACT ZONE, Sn IN SOLDER TAIL AREA.
 - CONNECTOR CAN BE PICKED UP WITH A MECHANICAL GRIPPER OR A VACUUM NOZZLE,
NOZZLE DIAMETER UP TO 9 MM. ESTIMATED MAXIMUM MASS OF THE PRODUCT 6.00 G.
 - COLUMN 1 IS ALWAYS FILLED WITH AN UNSHIELDED IMLA.
 - FCI PRODUCT SPECIFICATION GS-12-314.
 - PACKAGING: TAPE AND REEL ACCORDING TO EIA-481-B, SEE LAST SHEET.
 - THIS PRODUCT MEETS EUROPEAN UNION DIRECTIVES AND OTHER COUNTRY REGULATIONS
AS DESCRIBED IN GS-22-008.
 - THE CONNECTOR WILL WITHSTAND EXPOSURE TO 260°C PEAK TEMPERATURE
IN A CONVECTION, INFRA-RED OR VAPOR PHASE REFLOW OVEN. FOR MORE DETAILS AND
MOUNTING RECOMMENDATIONS, SEE FCI APPLICATION GUIDE GS-20-048.

| | | | | | | |
|---------------------|-----------------|------------|----------------------------------------------------------------------------------------|----|--------------------------|-----------------------------------------|
| spec ref * | dr Terran Huang | 2009/01/22 | projection | mm | size A2 | scale 1:1 |
| tolerance std | eng Norman Luo | 2017/05/25 | | mm | ecn no ELX-DG-27032-1 | rel level Released |
| ISO 406 ISO 1101 | chr - | 2017/05/31 | | | | |
| surface | appr Heaven Cen | | Amphenol FCI TITLE HEADER 8 PAIR Densi-Shield I/O www.fci.com cat. no. | | dwg no 10044471 rev K | Product - Customer Draw sheet 1 of 4 |

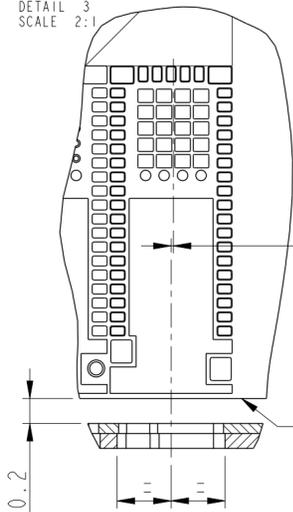
Amphenol FCI

© 2016 AFCI

RECOMMENDED HOLE PATTERN AND TRACE DIMENSIONS FOR FULLY EQUIPPED BOARD CONNECTORS. (SEE SHEET 1)



RECOMMENDED BOARD POSITION
DETAIL 3
SCALE 2:1

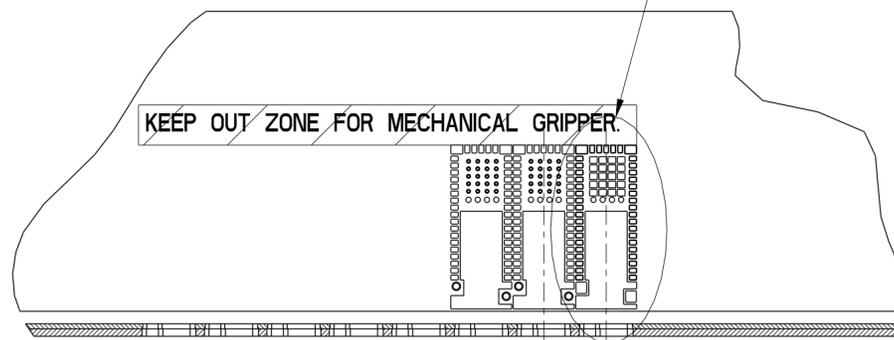


Edge of PCB

SCALE 5:1

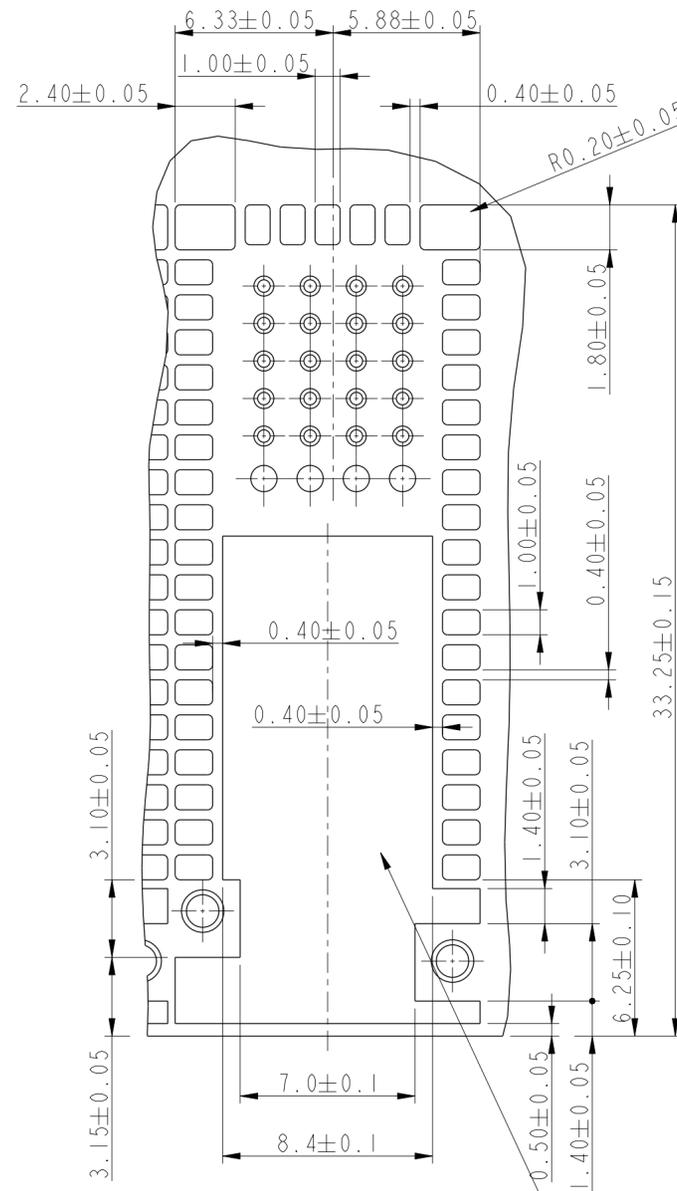
SEE DETAIL 3

KEEP OUT ZONE FOR MECHANICAL GRIPPER



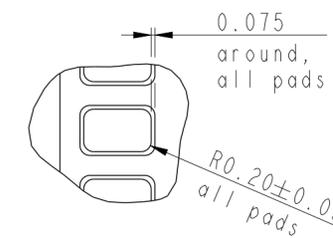
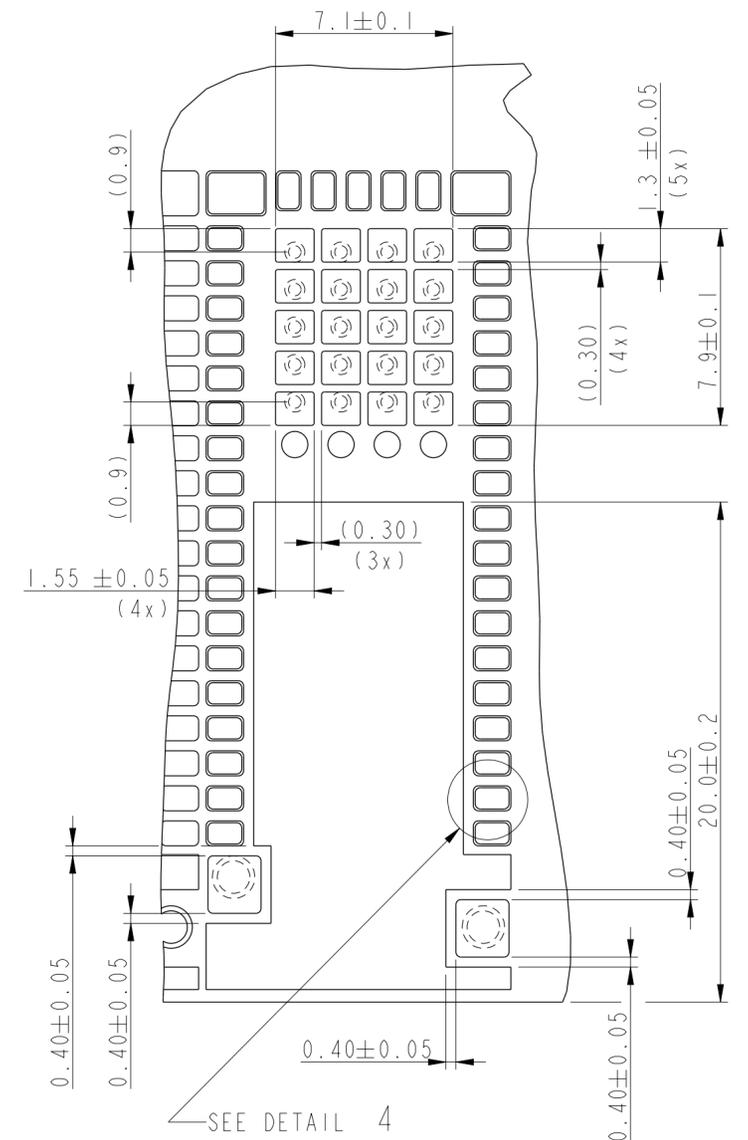
SECTION A-A

RECOMMENDED ISLAND PATTERN



SOLDER MASK NOT ALLOWED ON THIS REFERENCE PLANE AND LANDS. PLATING THICKNESS MUST BE CONSTANT OVER CONTACT AREA.

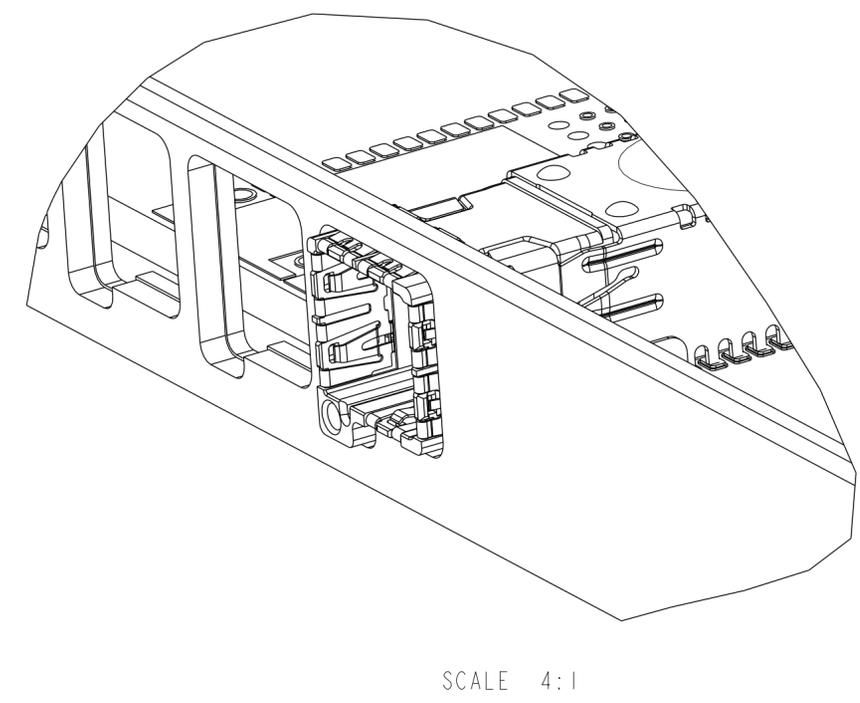
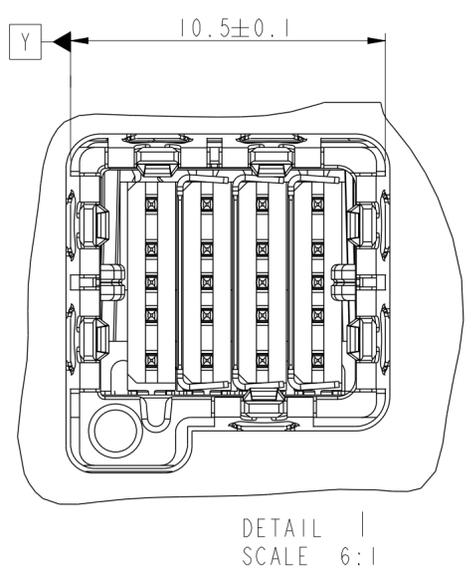
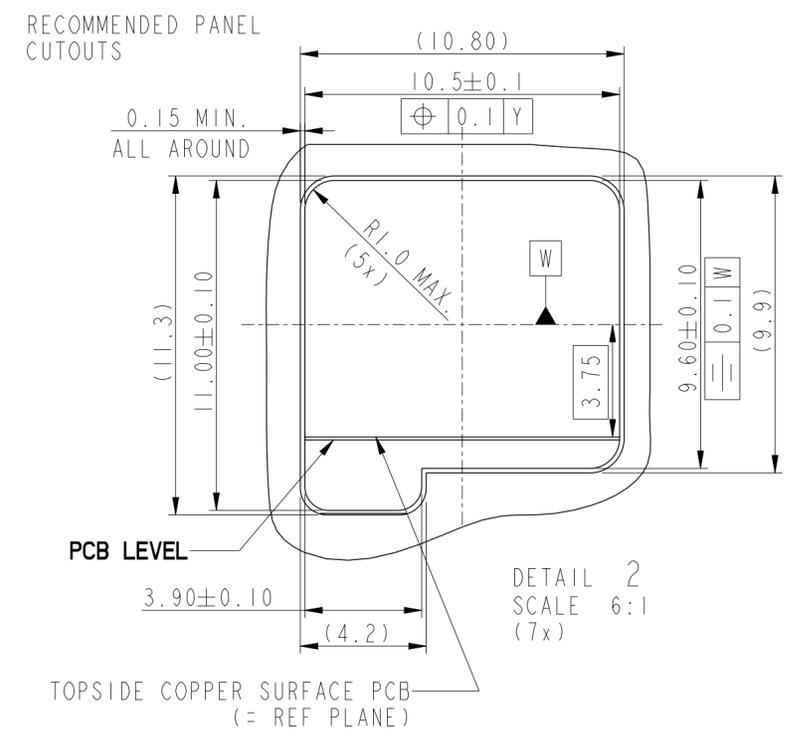
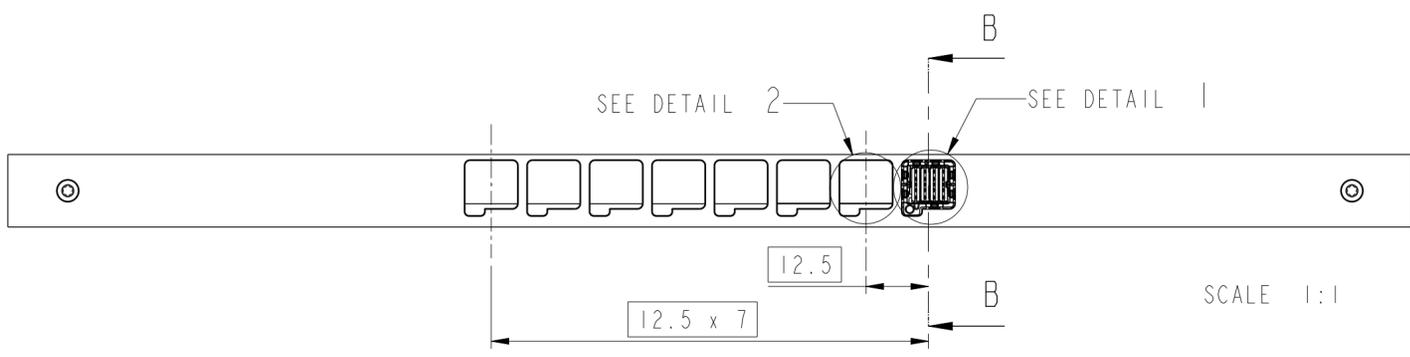
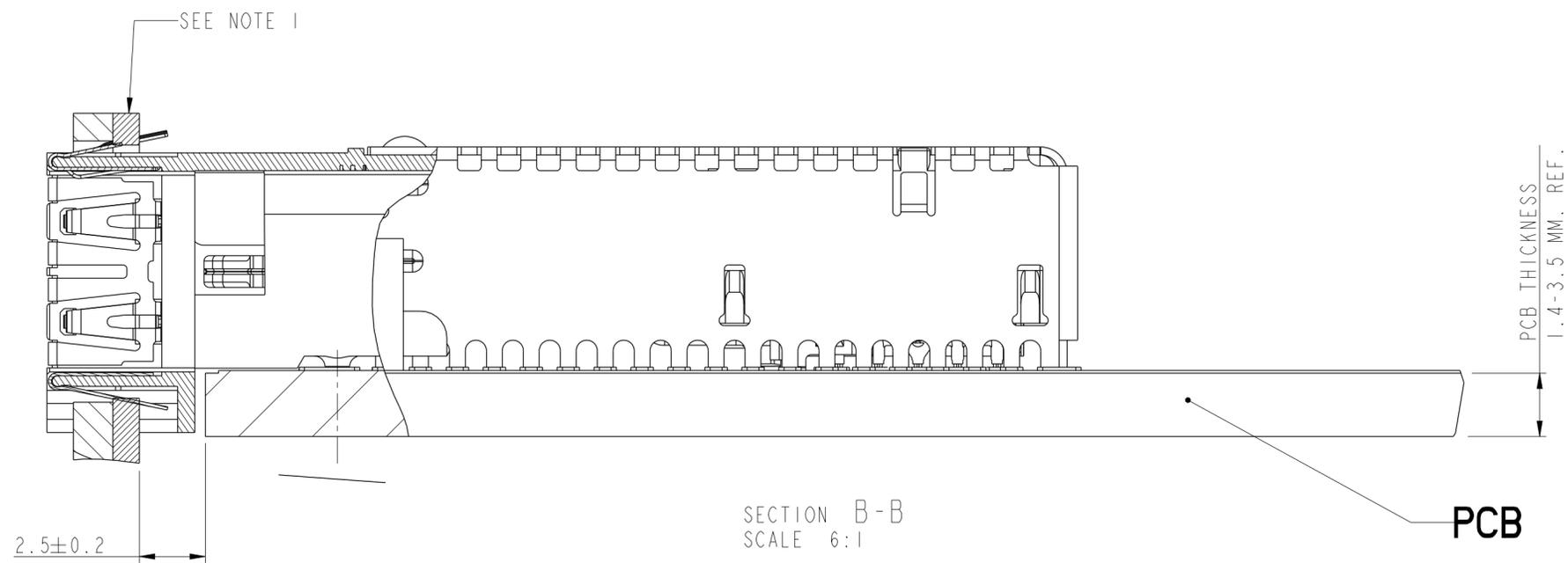
RECOMMENDED STENCIL LAYOUT
MIN. REQUIRED APERTURES FOR STENCIL THICKNESS 0.125 MM



DETAIL 4
SCALE 10:1

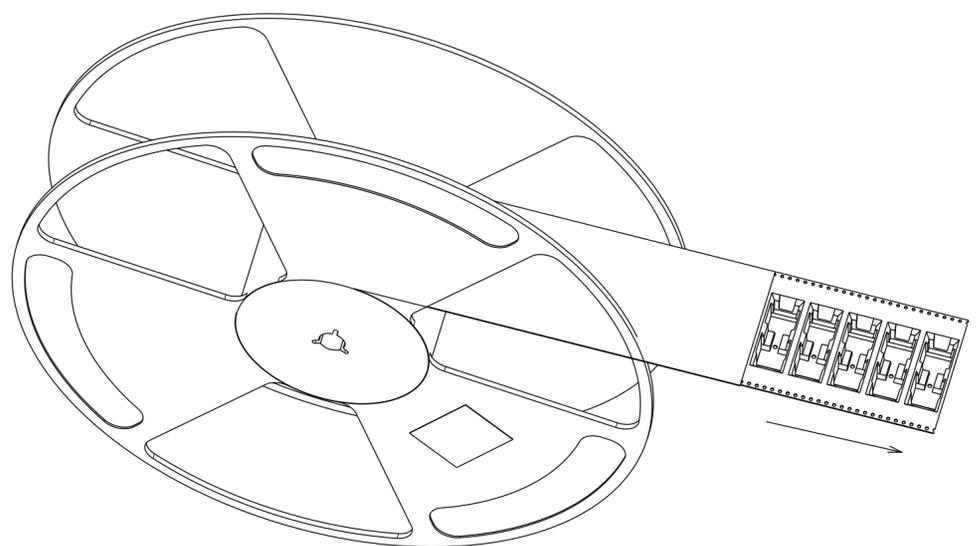
THE SOLDER CONTENT IN THE PASTE SHOULD BE SUFFICIENT, TYPICALLY 50% VOLUME PERCENTAGE. THE SCREEN PRINTING PROCESS (ANGLE, SPEED, PRESSURE ETC.) MUST BE OPTIMISED SO THAT ENOUGH SOLDER IS AVAILABLE.

| | | | | | | | | | | |
|------------------------|---------------------|----------------------|----------------------|------------|----------------|-----------------------------|--------------|--------------------------------------------|-----------|----------|
| spec ref | * | dr | Terran Huang | 2009/01/22 | projection | mm | size | A2 | scale | 1:1 |
| tolerance std | ISO 406 ISO 1101 | eng | Norman Luo | 2017/05/25 | chr | - | ecn no | ELX-DG-27032-1 | rel level | Released |
| surface | - | appr | Heaven Cen | 2017/05/31 | product family | - | rel level | Released | rev | K |
| ISO 1302 | linear angular | 0.X 0.XX 0.XXX | ±0.3 ±0.2 ±0.1 | 0° | ±2° | Amphenol FCI www.fci.com | | TITLE HEADER 8 PAIR DENSI-SHIELD I/O | | cat. no. |
| Product - Customer Drw | | | | | | | sheet 2 of 4 | 10044471 | | |

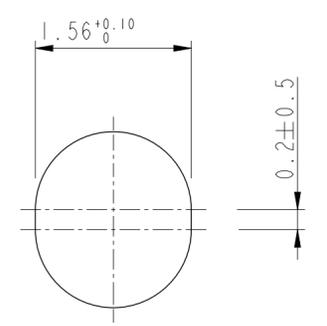


NOTE 1:
A DESIGN IS SHOWN WITH AN INNER CONDUCTIVE FRONTPANEL (FOR GROUNDING), AND A COSMETIC OUTER PANEL. THE INNER PANEL IS RECOMMENDED TO BE Sn PLATED ON THE CUTOUT EDGES.

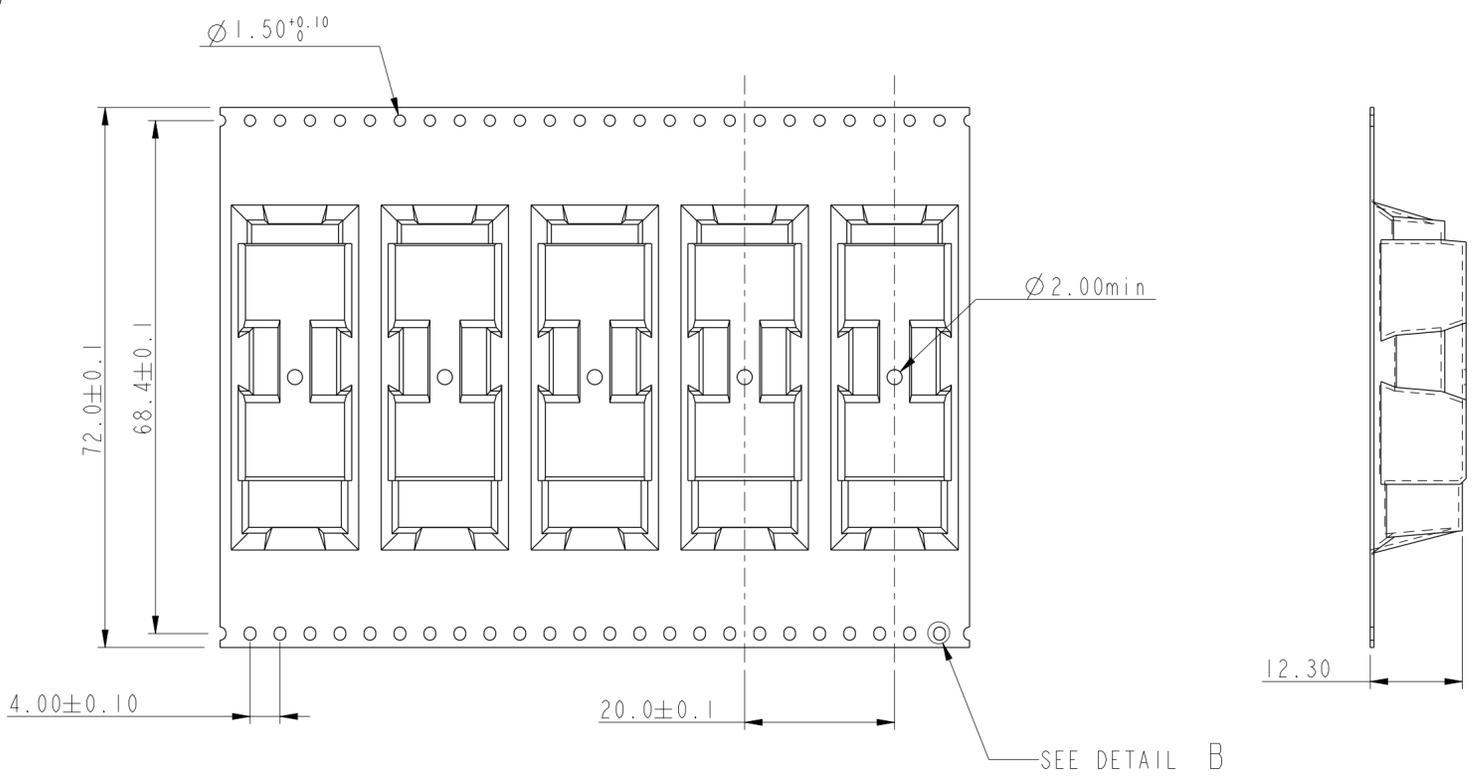
| | | | | | | | | | | |
|---------------------------------------|-------------------------------------|-------------|--------------|---------------------------------------------|----------------|------------------------|-----------|----------------|-------|-----|
| spec ref | * | dr | Terran Huang | 2009/01/22 | projection | mm | size | A2 | scale | 6:1 |
| tolerance std | ISO 406 ISO 1101 | eng | Norman Luo | 2017/05/25 | | mm | ecn no | ELX-DG-27032-1 | | |
| surface | ISO 1302 | chr | - | rel level | | | | Released | | |
| TOLERANCES UNLESS OTHERWISE SPECIFIED | | appr | Heaven Cen | 2017/05/31 | product family | - | rel level | Released | | |
| linear | 0.X ±0.3 0.XX ±0.2 0.XXX ±0.1 | | | TITLE HEADER 8 PAIR DENSII-SHIELD I/O | | dwg no | 10044471 | | rev | K |
| angular | 0° ±2° | www.fci.com | | cat. no. | - | Product - Customer Drw | | sheet 3 of 4 | | |



SCALE 2:5



DETAIL B
SCALE 20:1



USER DIRECTION OF FEED →

NOTE:
1: MATERIAL CARRIER TAPE: Polystyrene;
2: MATERIAL COVER TAPE : Polyester;
3: THE PACKAGING IS ANTISTATIC TREATED.

| | | | | | | | | | | |
|---------------------------------------|---------------------|-------|--------------|------------------------|------------|-------|---------------|----------------|--------------|----------|
| spec ref | * | dr | Terran Huang | 2009/01/22 | projection | mm | size | A2 | scale | 1:6 |
| tolerance std | ISO 406 ISO 1101 | eng | Norman Luo | 2017/05/25 | | | ecn no | ELX-DG-27032-1 | rel level | Released |
| TOLERANCES UNLESS OTHERWISE SPECIFIED | | chr | - | appr | | | | | | |
| surface | linear | 0.X | ±0.3 | product family | | - | rel level | - | cat. no. | - |
| | | 0.XX | ±0.2 | Amphenol FCI | | title | HEADER 8 PAIR | dwg no | 10044471 | rev |
| | | 0.XXX | ±0.1 | Densi-Shield I/O | | | | | | K |
| | angular | 0° | ±2° | Product - Customer Drw | | | | | sheet 4 of 4 | |