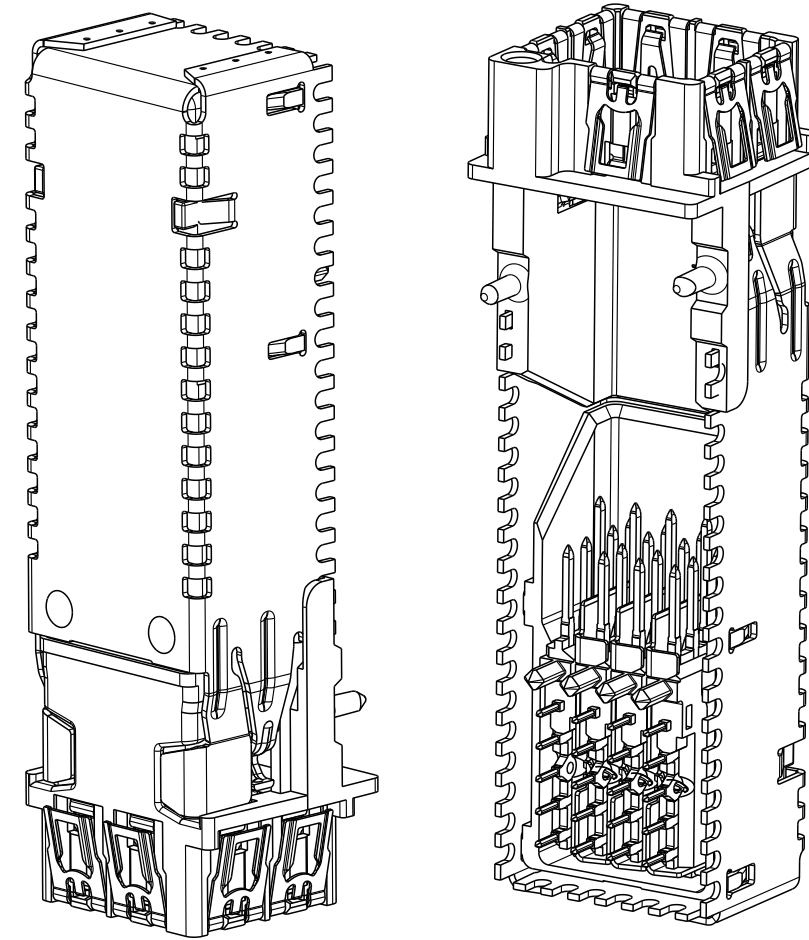
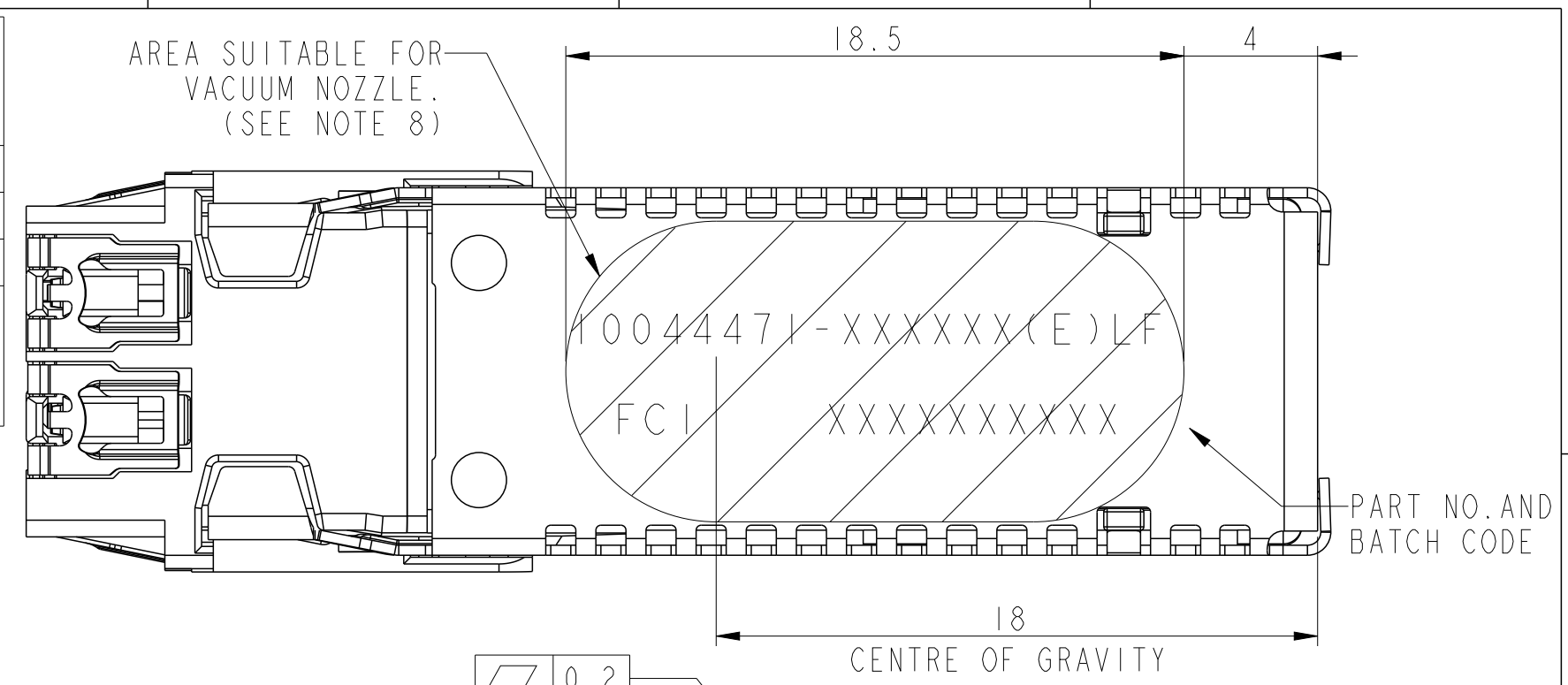
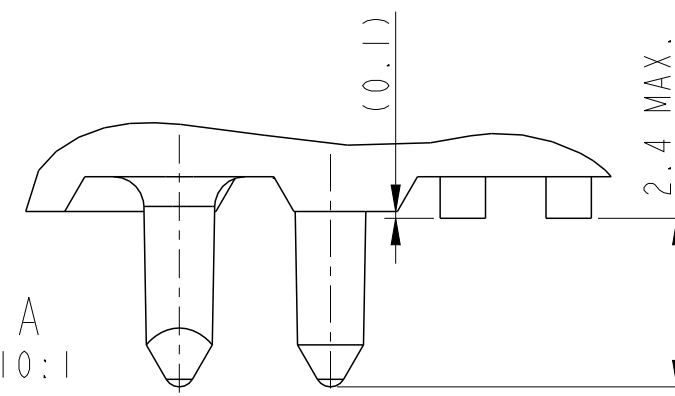
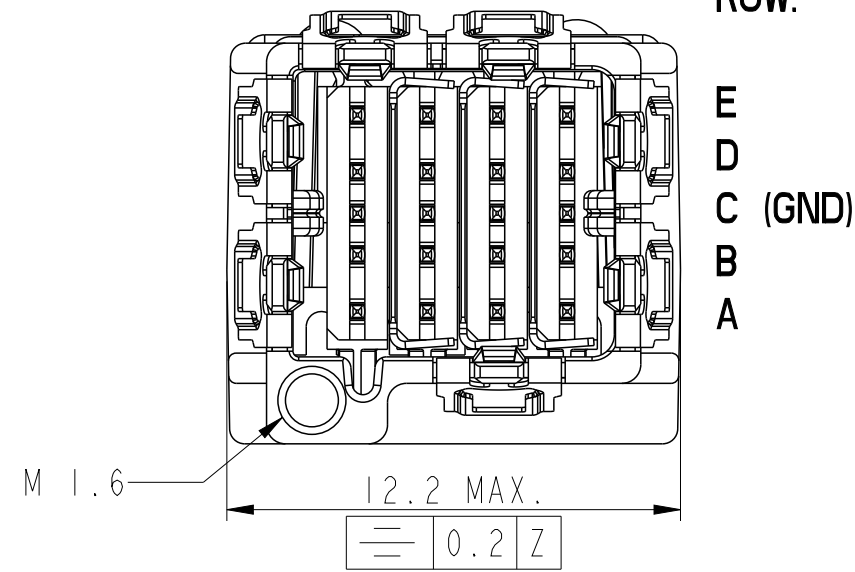


PART NUMBERING	LOADING PATTERN				PACKAGING (SEE NOTE 6)	REMARK
	COLUMN 1 (NOTE 4)	COLUMN 2	COLUMN 3	COLUMN 4		
10044471-120200LF	UNSHIELDED IMLA	EMPTY	UNSHIELDED IMLA	EMPTY	TAPE ON REEL	
10044471-122220LF	UNSHIELDED IMLA	UNSHIELDED IMLA	UNSHIELDED IMLA	UNSHIELDED IMLA	TAPE ON REEL	
10044471-121110LF	UNSHIELDED IMLA	SHIELDED IMLA	SHIELDED IMLA	SHIELDED IMLA	TAPE ON REEL	
10044471-120200ELF	UNSHIELDED IMLA	EMPTY	UNSHIELDED IMLA	EMPTY	TAPE ON REEL	
10044471-122220ELF	UNSHIELDED IMLA	UNSHIELDED IMLA	UNSHIELDED IMLA	UNSHIELDED IMLA	TAPE ON REEL	CUSTOMIZED LABEL FOR SPECIAL P/NS
10044471-121110ELF	UNSHIELDED IMLA	SHIELDED IMLA	SHIELDED IMLA	SHIELDED IMLA	TAPE ON REEL	

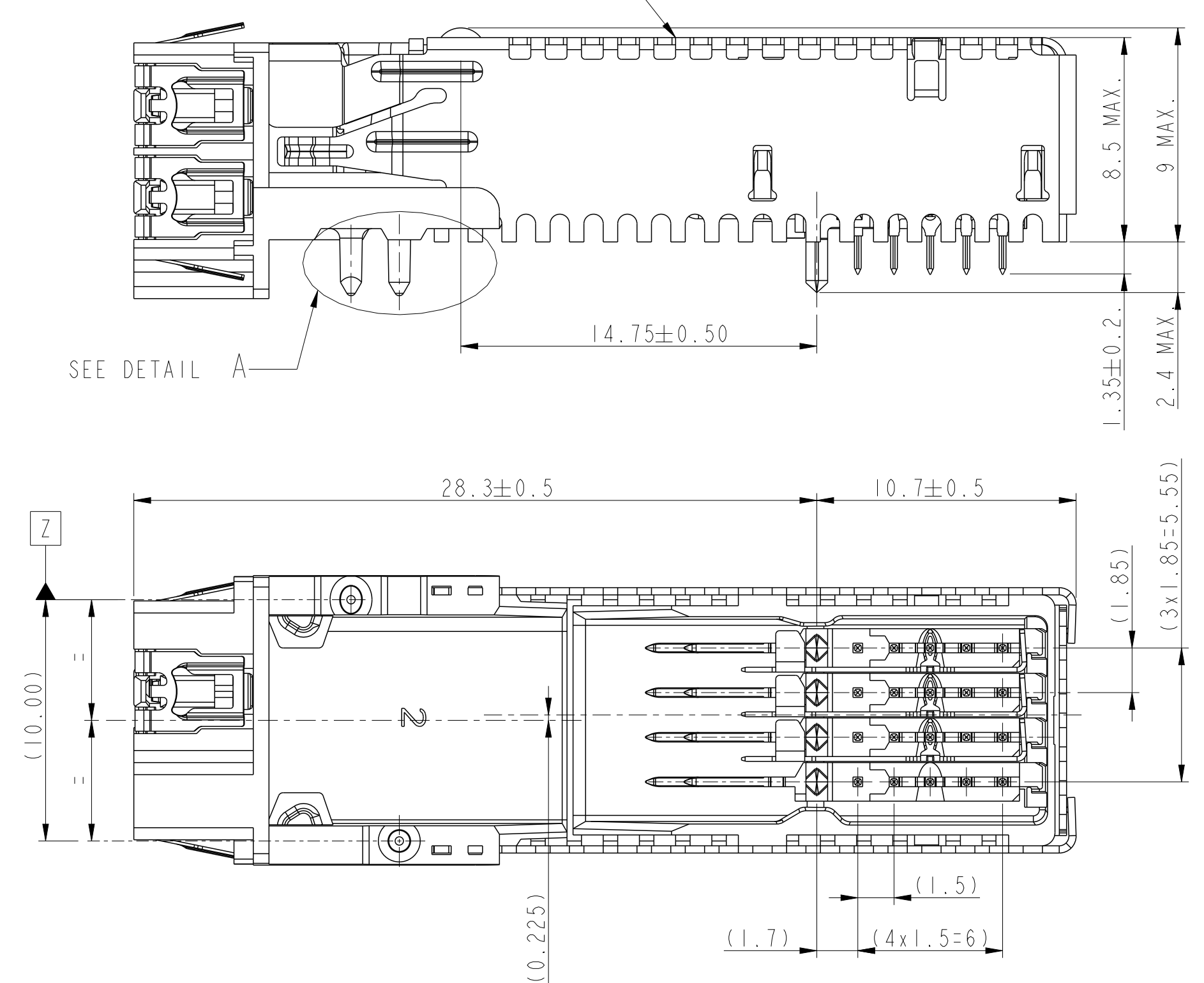


COLUMN: 1 2 3 4



DETAIL A
SCALE 10:1

- NOTES:
- MATES WITH CABLE CONNECTOR 10044473-SERIES
 - MATERIALS:
DIECAST-ENTRY: ZINC ALLOY, PLATING/FINISH: Sn PLATED WITH Ni OVER Cu UNDERLAYER,
TOPCOVER - COPPER ALLOY, PLATING/FINISH: Sn PLATED WITH Ni UNDERLAYER,
SPRINGS - STAINLESS STEEL,
RETAINER - HIGH TEMPERATURE FLAME RETARDANT THERMOPLAST, COLOUR NATURAL,
VERTICAL SHIELDS - COPPER ALLOY, PLATING/FINISH: Sn WITH Ni UNDERLAYER,
HEADER IMLA'S - COPPER ALLOY OVERMOLDED WITH HIGH TEMPERATURE FLAME
RETARDANT THERMOPLAST, COLOUR BLACK,
LEADFRAME PLATING/FINISH: NICKEL UNDERPLATING, PALLADIUM-NICKEL ALLOY
WITH GOLD OVERPLATING IN CONTACT ZONE, Sn IN SOLDER TAIL AREA.
 - CONNECTOR CAN BE PICKED UP WITH A MECHANICAL GRIPPER OR A VACUUM NOZZLE,
NOZZLE DIAMETER UP TO 9 MM. ESTIMATED MAXIMUM MASS OF THE PRODUCT 6.00 G.
 - COLUMN 1 IS ALWAYS FILLED WITH AN UNSHIELDED IMLA.
 - FCI PRODUCT SPECIFICATION GS-12-314.
 - PACKAGING: TAPE AND REEL ACCORDING TO EIA-481-B, SEE LAST SHEET.
 - THIS PRODUCT MEETS EUROPEAN UNION DIRECTIVES AND OTHER COUNTRY REGULATIONS
AS DESCRIBED IN GS-22-008.
 - THE CONNECTOR WILL WITHSTAND EXPOSURE TO 260°C PEAK TEMPERATURE
IN A CONVECTION, INFRA-RED OR VAPOR PHASE REFLOW OVEN. FOR MORE DETAILS AND
MOUNTING RECOMMENDATIONS, SEE FCI APPLICATION GUIDE GS-20-048.

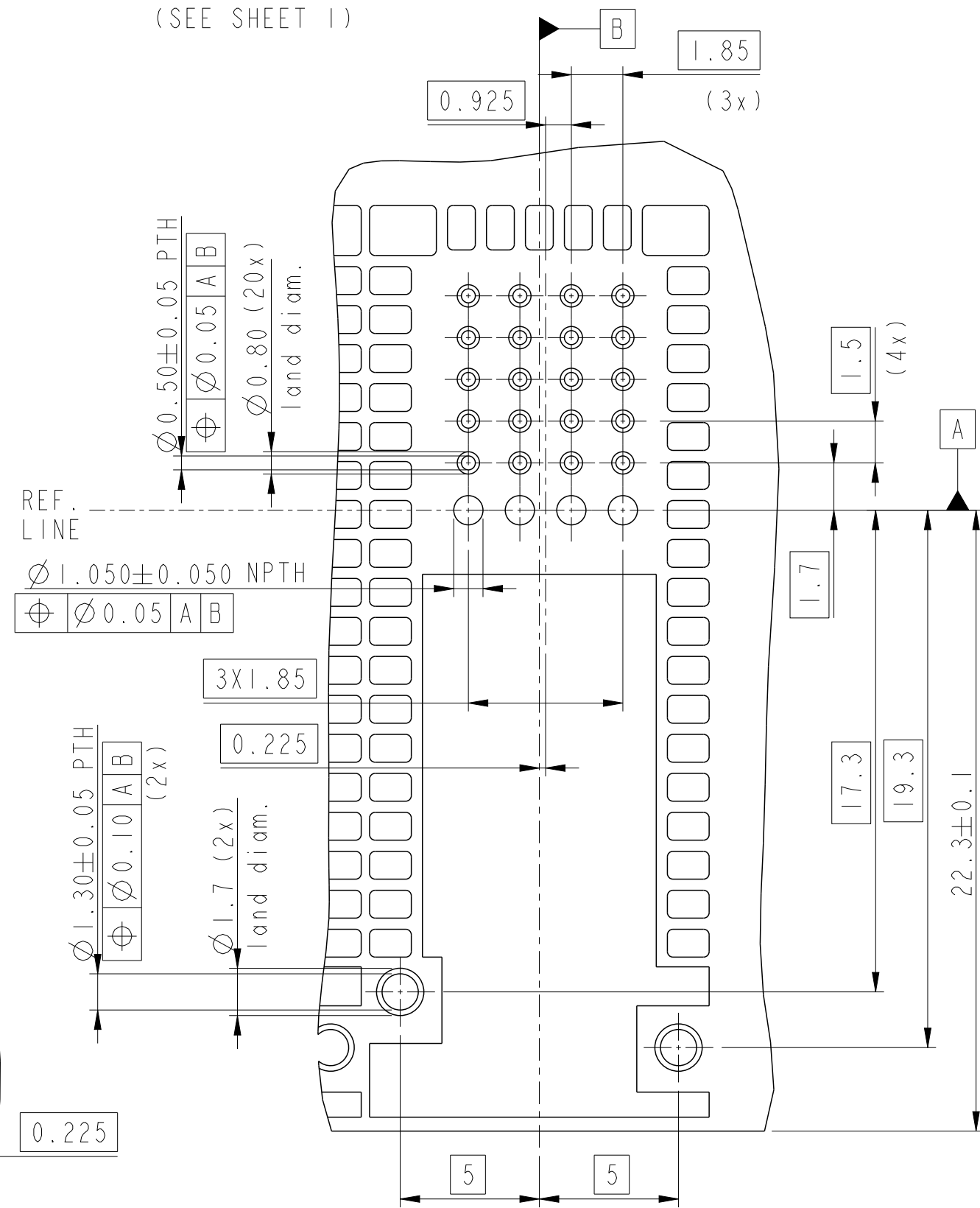


spec ref *	dr Terran Huang	2009/01/22	projection	mm	size A2	scale 1:1
tolerance std	eng Norman Luo	2017/05/25		mm	ecn no ELX-DG-27032-1	rel level Released
ISO 406 ISO 1101	chr -	2017/05/31				
surface	appr Heaven Cen		Amphenol FCI TITLE HEADER 8 PAIR DENS1-SHIELD I/O www.fci.com cat. no.		dwg no 10044471	rev K
ISO 1302	linear 0.X ±0.3 0.XX ±0.2 0.XXX ±0.1 angular 0° ±2°		Product - Customer Drw		sheet 1 of 4	

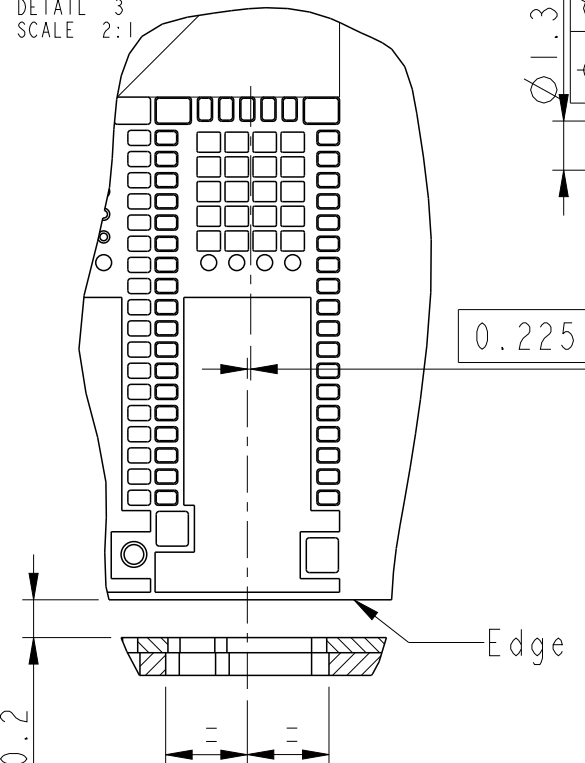
Amphenol FCI

© 2016 AFCI

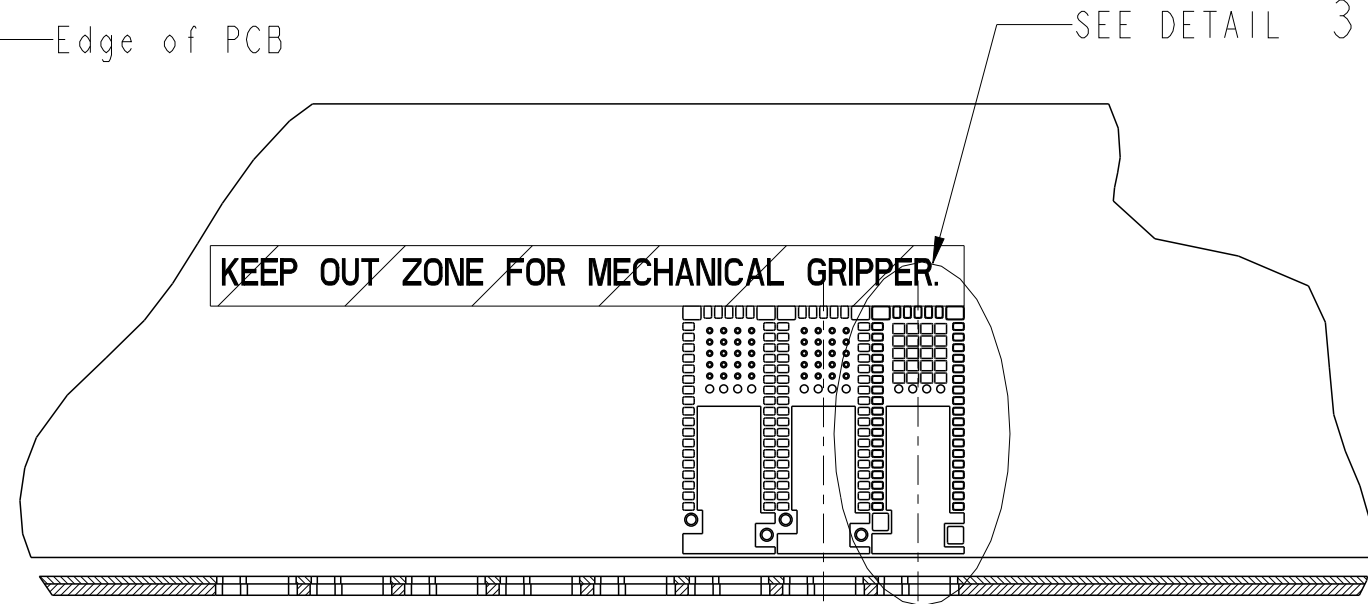
RECOMMENDED HOLE PATTERN AND TRACE DIMENSIONS FOR FULLY EQUIPPED BOARD CONNECTORS. (SEE SHEET 1)



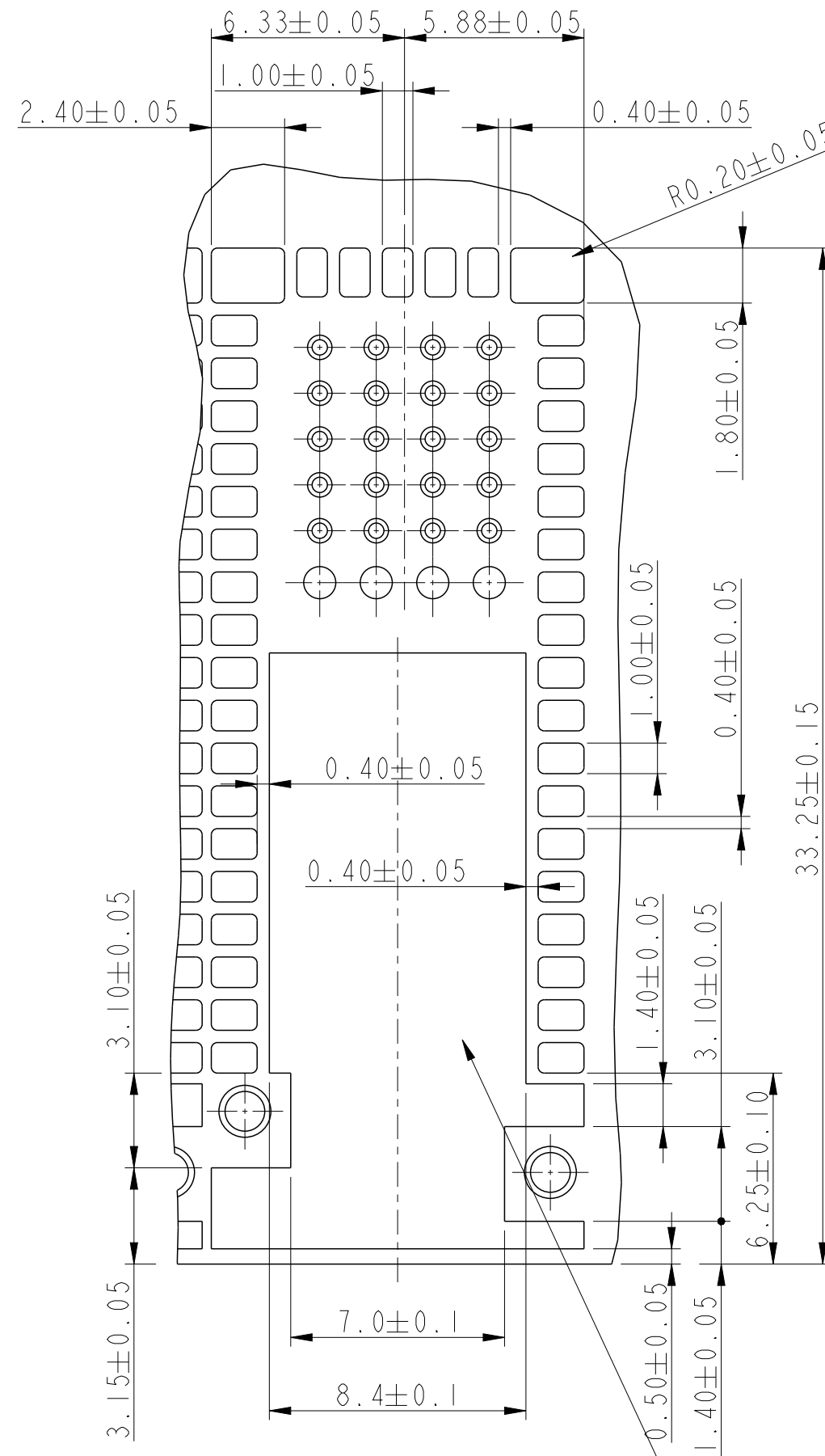
RECOMMENDED BOARD POSITION
DETAIL 3
SCALE 2:1



SCALE 5:1

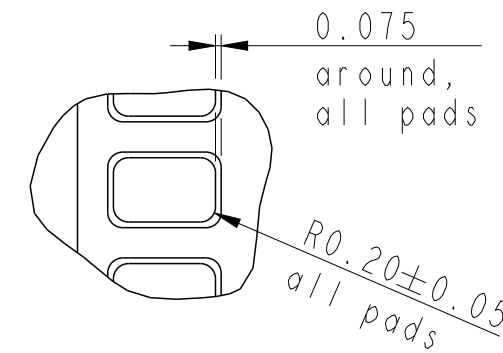
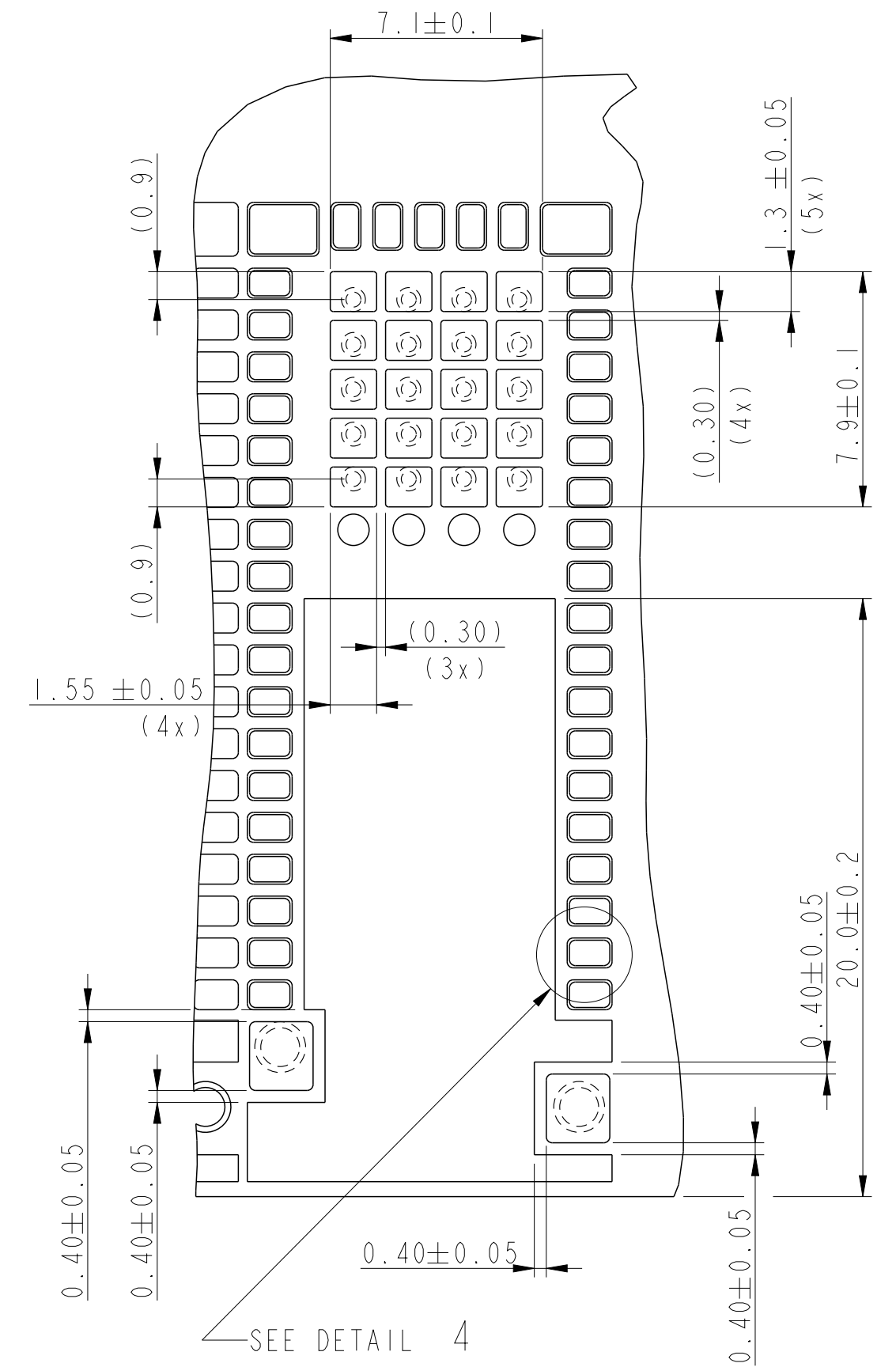


RECOMMENDED ISLAND PATTERN



SOLDER MASK NOT ALLOWED ON THIS REFERENCE PLANE AND LANDS. PLATING THICKNESS MUST BE CONSTANT OVER CONTACT AREA.

RECOMMENDED STENCIL LAYOUT
MIN. REQUIRED APERTURES FOR
STENCIL THICKNESS 0.125 MM



DETAIL 4
SCALE 10:1

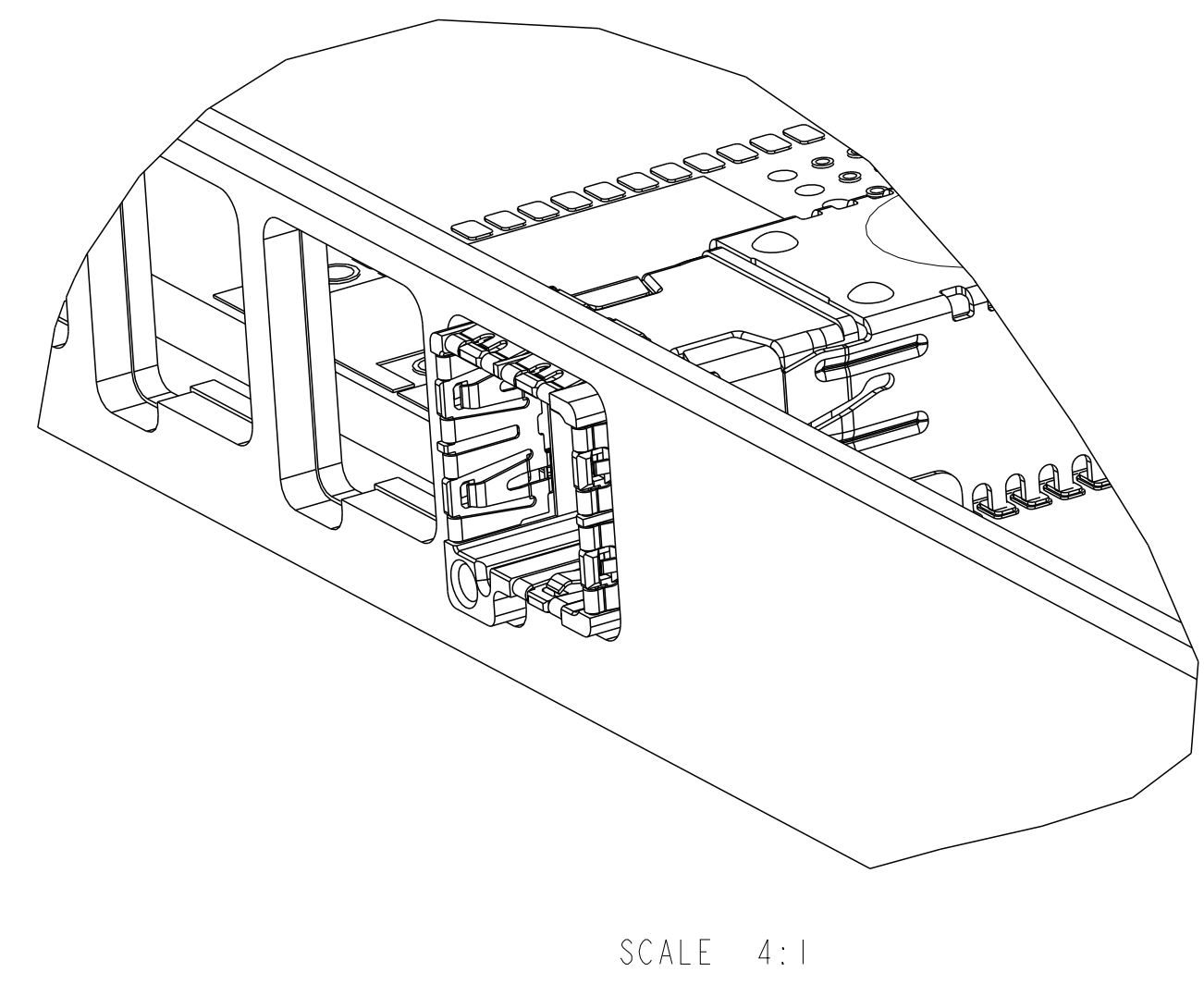
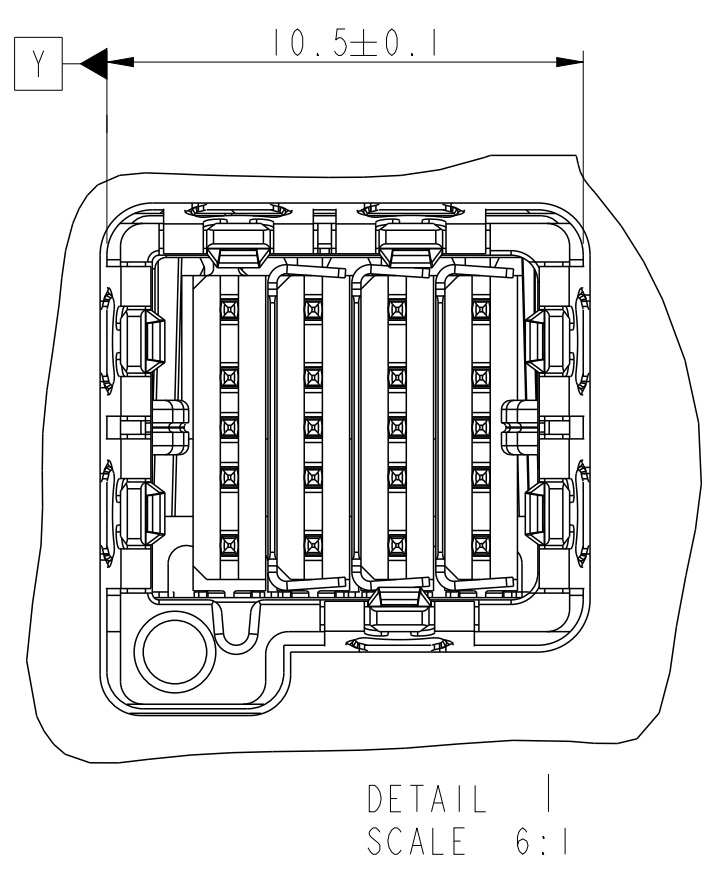
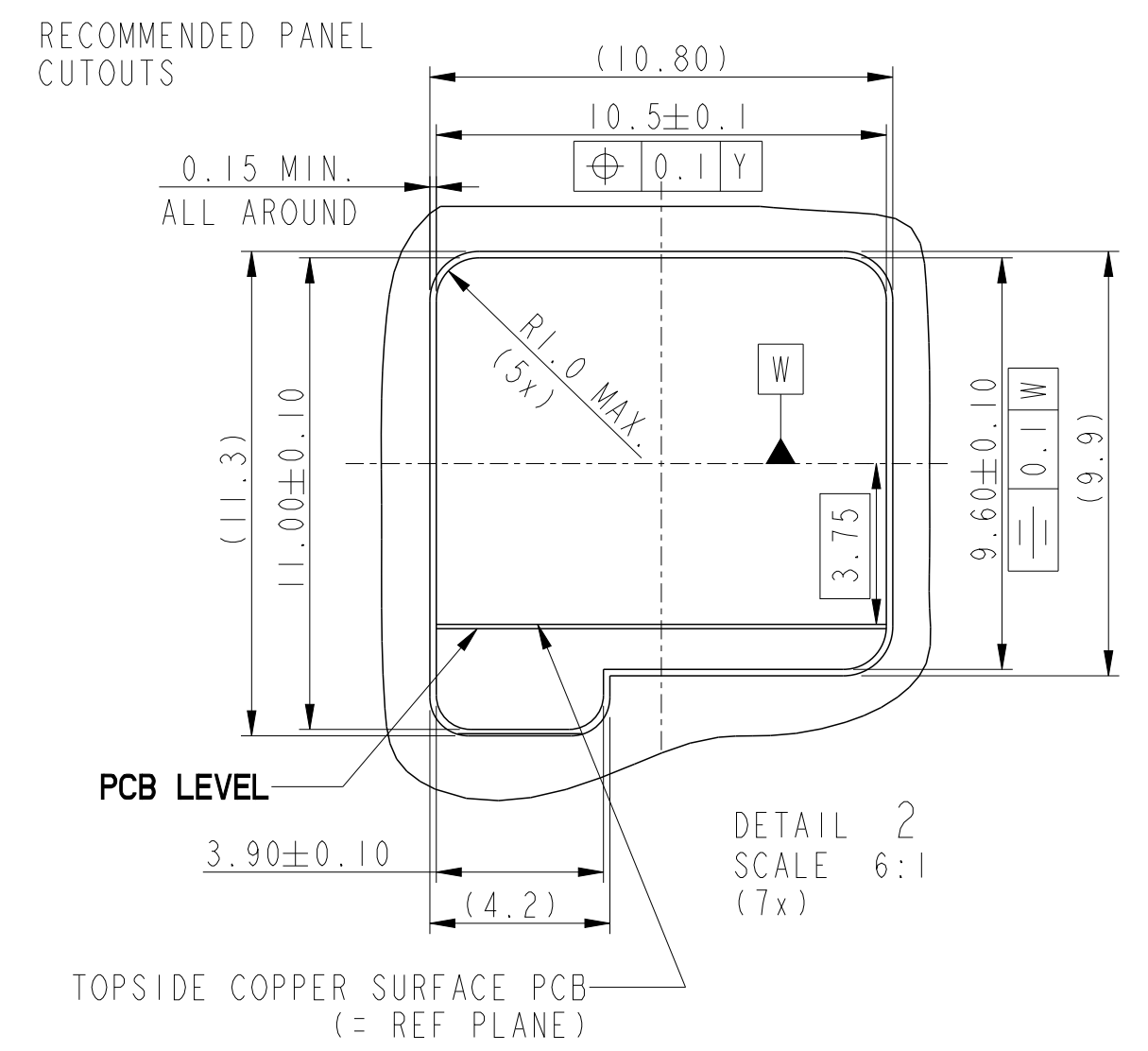
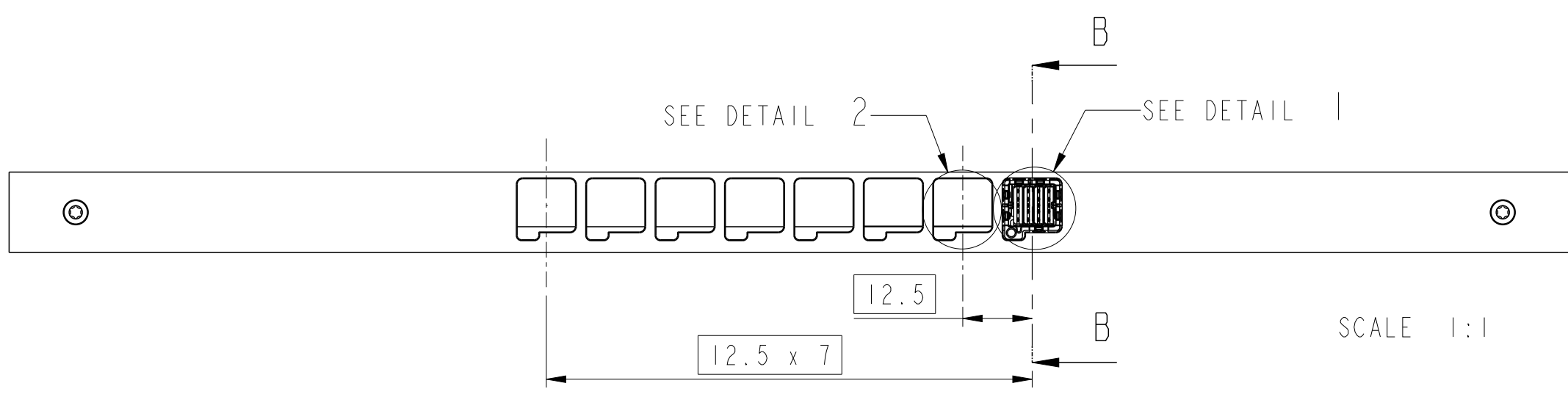
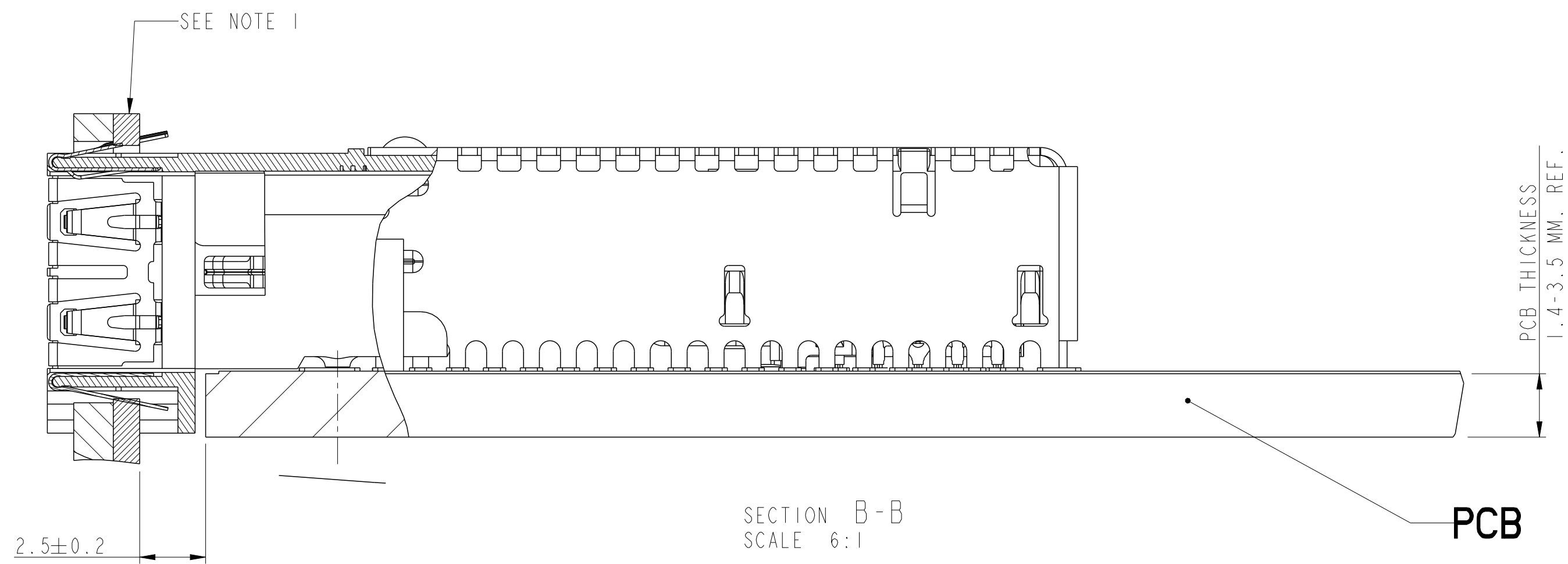
THE SOLDER CONTENT IN THE PASTE SHOULD BE SUFFICIENT, TYPICALLY 50% VOLUME PERCENTAGE. THE SCREEN PRINTING PROCESS (ANGLE, SPEED, PRESSURE ETC.) MUST BE OPTIMISED SO THAT ENOUGH SOLDER IS AVAILABLE.

spec ref *	dr Terran Huang	2009/01/22	projection	mm	size A2	scale 1:1
tolerance std	eng Norman Luo	2017/05/25		mm	ecn no ELX-DG-27032-1	rel level Released
ISO 406 ISO 1101	chr -	2017/05/31				
surface -	appr Heaven Cen	2017/05/31	Amphenol FCI		title HEADER 8 PAIR	rev K 10044471
ISO 1302	linear	0.X ± 0.3 0.XX ± 0.2 0.XXX ± 0.1	www.fci.com	cat. no.	Product - Customer Drw	
	angular	0° $\pm 2^\circ$				

PDS: Rev :K

STATUS: Released

Printed: May 31, 2017



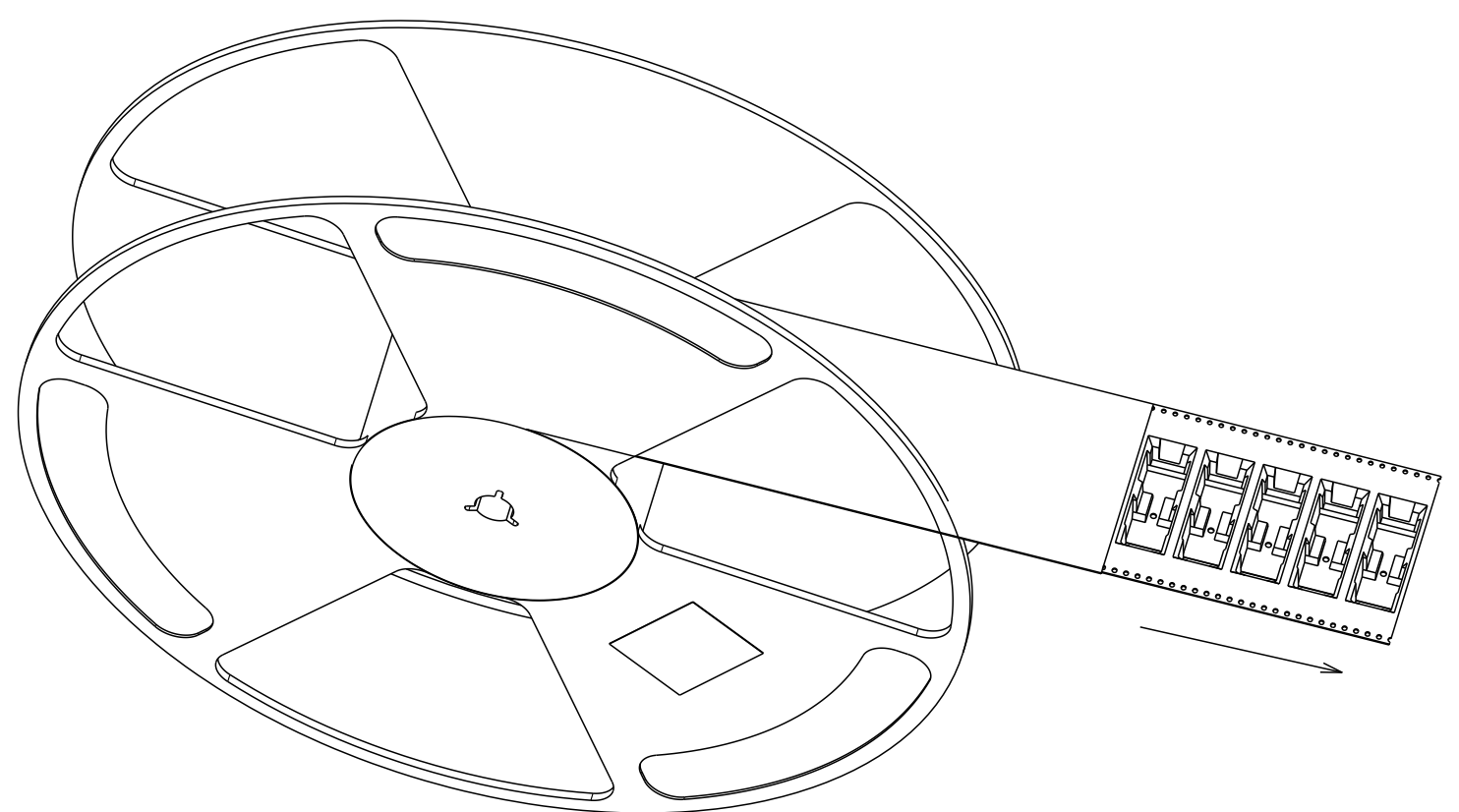
NOTE 1:
A DESIGN IS SHOWN WITH AN INNER CONDUCTIVE FRONTPANEL (FOR GROUNDING), AND A COSMETIC OUTER PANEL. THE INNER PANEL IS RECOMMENDED TO BE Sn PLATED ON THE CUTOUT EDGES.

spec ref	*	dr	Terran Huang	2009/01/22	projection	mm	size	A2	scale	6:1
tolerance std	ISO 406 ISO 1101	eng	Norman Luo	2017/05/25		mm	ecn no	ELX-DG-27032-1		
surface	ISO 1302	chr	-	rel level				Released		
TOLERANCES UNLESS OTHERWISE SPECIFIED		appr	Heaven Cen	2017/05/31	product family	-	rel level	Released		
linear	0.X ±0.3 0.XX ±0.2 0.XXX ±0.1			TITLE HEADER 8 PAIR DENSII-SHIELD I/O		dwg no	10044471		rev	K
angular	0° ±2°	www.fci.com		cat. no.	-	Product - Customer Drw		sheet 3 of 4		

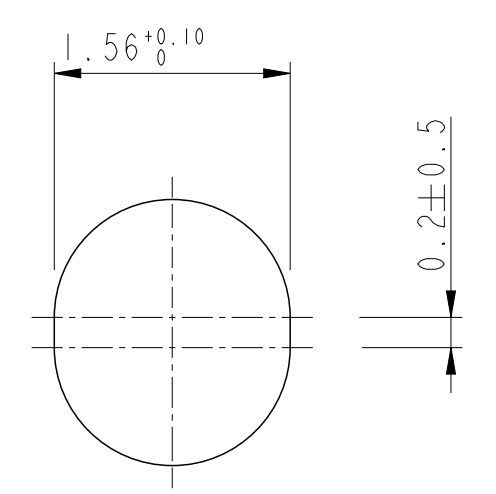
1 2 3 4 5 6 7 8

A
B
C
D
E
F

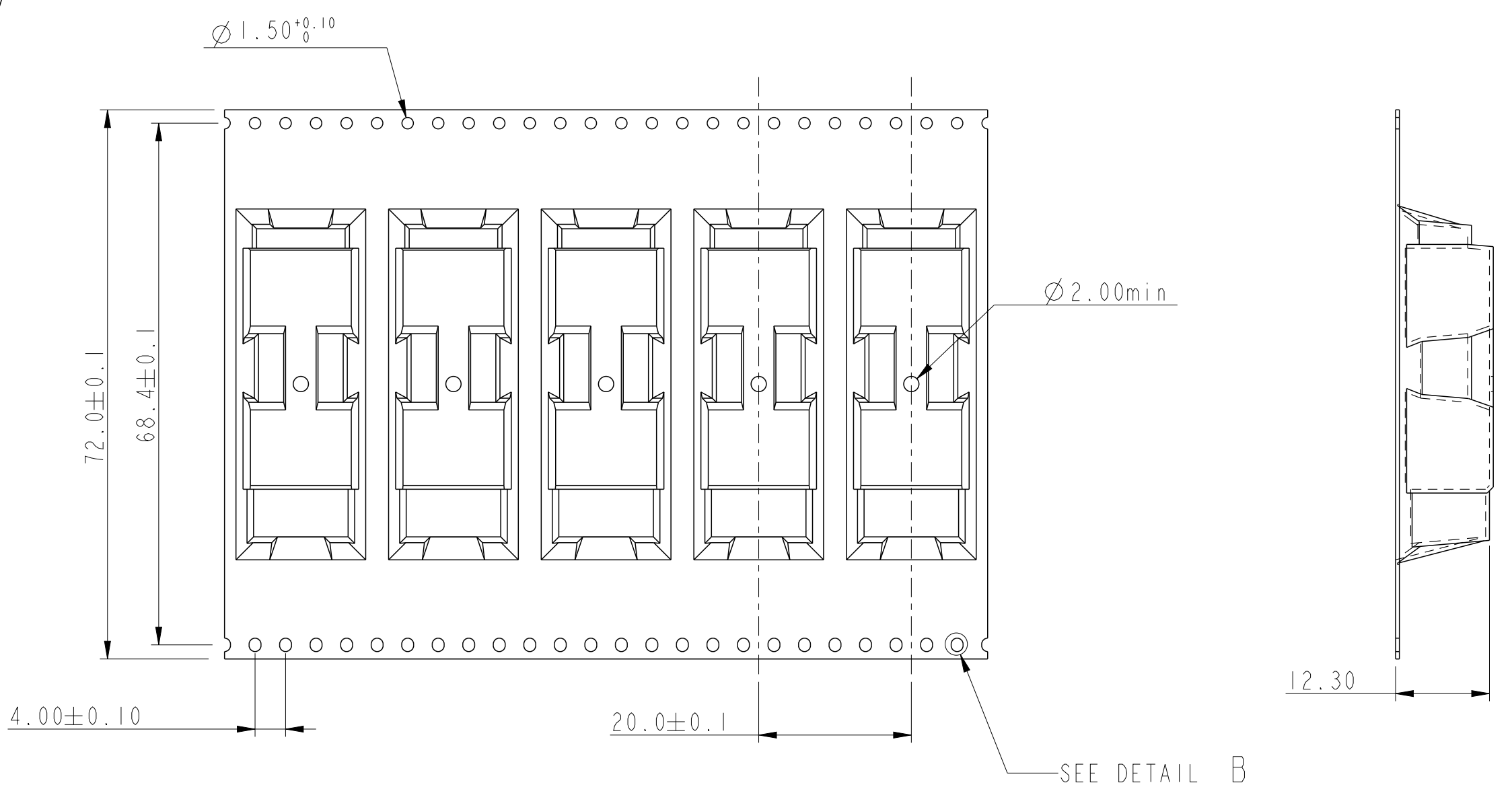
A
B
C
D
E
F



SCALE 2:5



DETAIL B
SCALE 20:1



NOTE:
1: MATERIAL CARRIER TAPE: Polystyrene;
2: MATERIAL COVER TAPE : Polyester;
3: THE PACKAGING IS ANTISTATIC TREATED.

© 2016 AFCI

spec ref	*	dr	Terran Huang	2009/01/22	projection	mm	size	A2	scale	1:6
tolerance std	ISO 406 ISO 1101	eng	Norman Luo	2017/05/25			ecn no	ELX-DG-27032-1		
TOLERANCES UNLESS OTHERWISE SPECIFIED		chr	-	appr			Heaven Cen	2017/05/31	rel level	Released
surface	linear	0.X	±0.3	Amphenol FCI		TITLE HEADER 8 PAIR DENS1-SHIELD I/O		dwg no 10044471	rev K	cat. no. - Product - Customer Drw sheet 4 of 4
		0.XX	±0.2							
		0.XXX	±0.1							
	angular	0°	±2°	PDS: Rev :K						

PDS: Rev :K

STATUS:Released

Printed: May 31, 2017

2

3

4

5