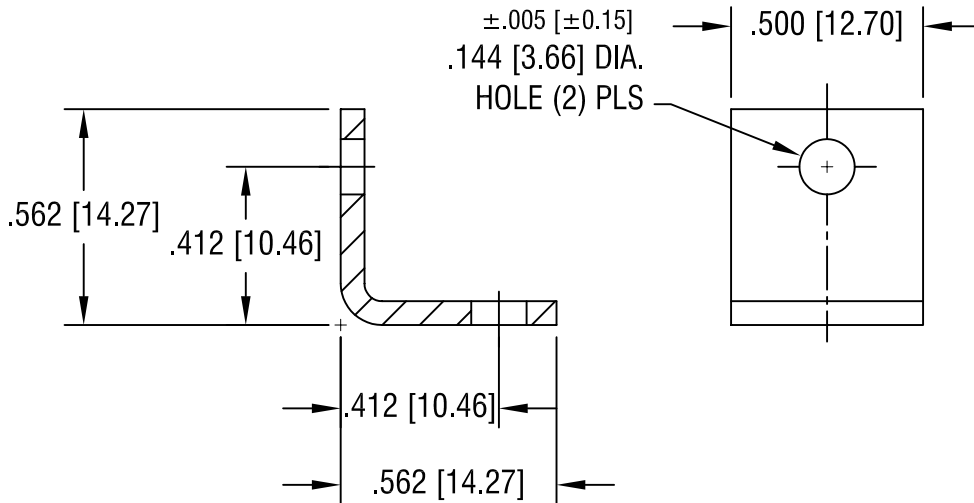


THIS DOCUMENT IS THE PROPERTY OF
KEYSTONE ELECTRONICS CORP. AND
SHALL NOT BE REPRODUCED, DISTRIBUTED
OR USED AS A BASIS FOR MANUFACTURE
WITHOUT PRIOR WRITTEN PERMISSION
FROM KEYSTONE ELECTRONICS CORP.



KEYSTONE ELECTRONICS CORP.			
ASTORIA, N.Y. 11105-2017			
PART NAME		BRACKET	
MATERIAL		.062 [1.52] TH'K STEEL	
FINISH		DRN BY	DATE
NICKEL PLATE		BOONE	10.23.91
		APPD	SCALE
		LN	2X
TOLERANCES	INCH [MM]	CODE	DWG NO.
DECIMAL	± .010 [± 0.25]	C	4336
ANGULAR	± 1°		
UNLESS OTHERWISE SPECIFIED			

1.22.01 | CHANGE AS PER ECN 01-007 | A

DATE	DESCRIPTION	REV.
------	-------------	------