

THIS DRAWING IS UNPUBLISHED.

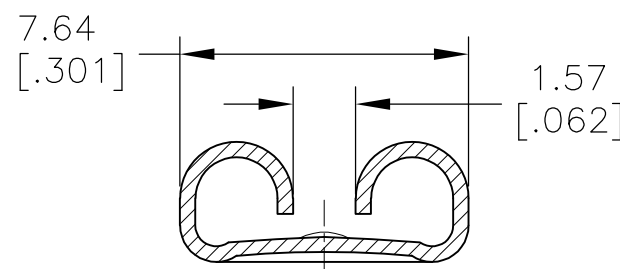
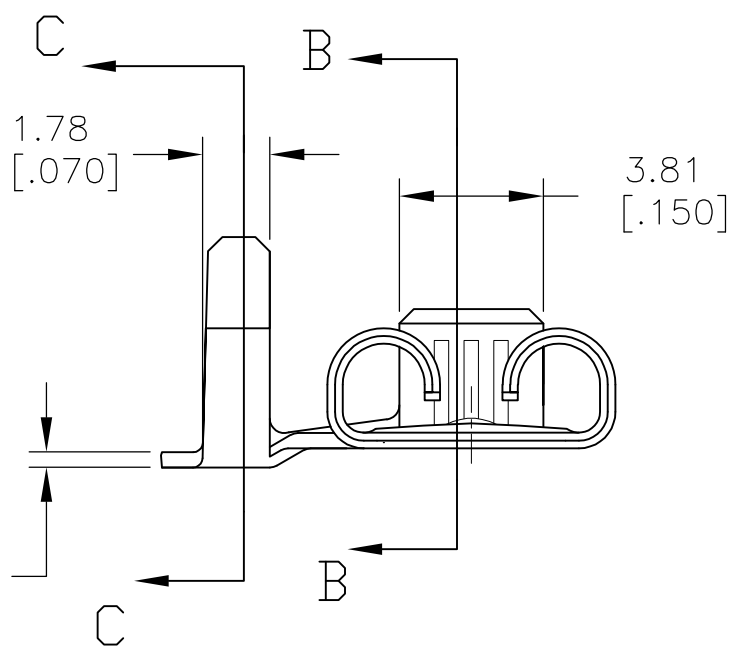
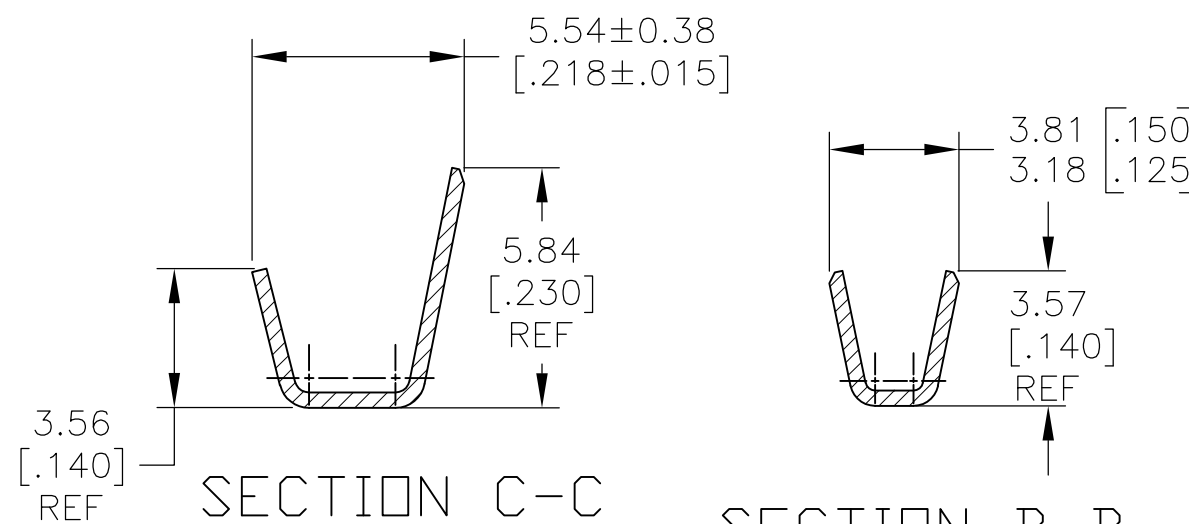
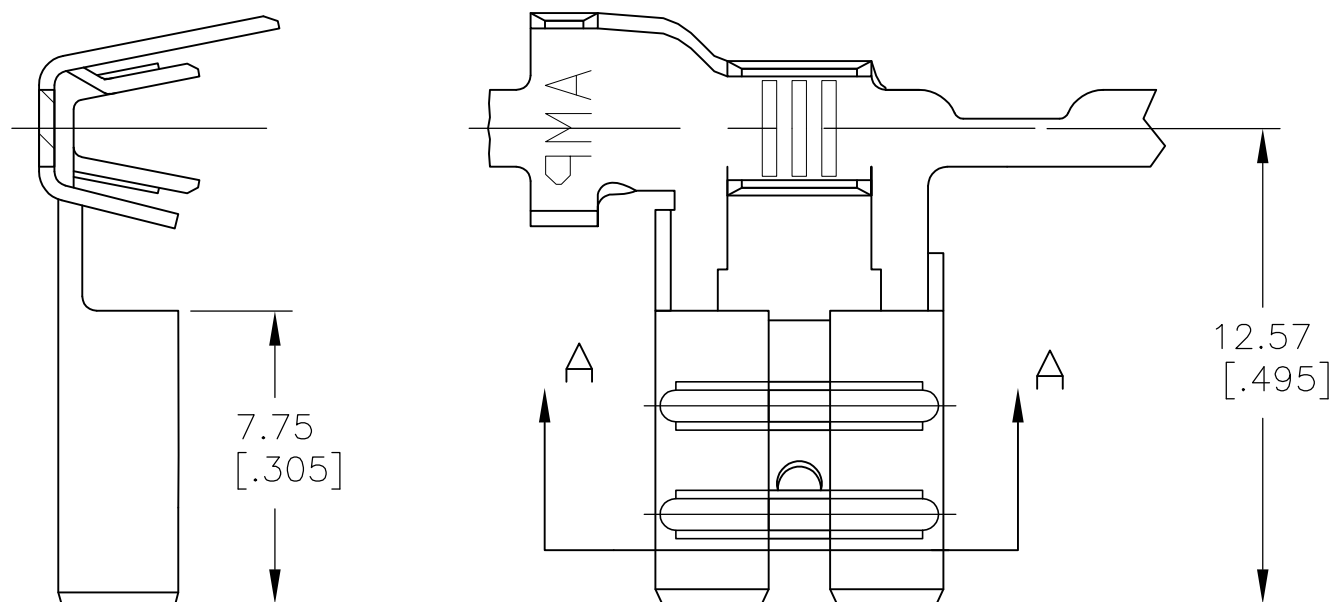
RELEASED FOR PUBLICATION

ALL RIGHTS RESERVED.


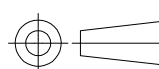
© COPYRIGHT - By -

LOC	DIST	REVISIONS					
		P	LTR	DESCRIPTION	DATE	DWN	APVD
-	-	A1		RELEASED PER ECO 13-013005	14AUG13	JR	PD

- CONTINUOUS STRIP ON REELS
- WIRE SIZE #18-#14 AWG
- INSULATION DIA 2.79-4.06 [.110-.160] DIA
- MATING TAB THK IS 0.81 ± 0.025 [.032±.001]
- RECEPTACLE IS DESIGNED TO OPTIMIZE MATING AND UNMATING FORCES ON A TAB WITH A RETENTION HOLE. VALUES MAY VARY ON A TAB WITH A DETENT.



TIN PLATE	1742999-2
-----	1742999-1
FINISH	PART NO.

THIS DRAWING IS A CONTROLLED DOCUMENT.		DWN	JR RUTH	30NOV2012	 TE Connectivity					
DIMENSIONS: MM [INCHES]		CHK	PETE DESANTIS	30NOV12				NAME RECEPTACLE, FLAG FASTON, .250 SERIES		
		APVD	PETE DESANTIS	30NOV12						
TOLERANCES UNLESS OTHERWISE SPECIFIED:								SIZE	CAGE CODE	DRAWING NO
0 PLC ± - 1 PLC ± - 2 PLC ± - 3 PLC ± - 4 PLC ± - ANGLES ± -		MATERIAL			A300779			C-1742999		
BRASS		FINISH			CUSTOMER DRAWING			SCALE	SHEET	REV
SEE TABLE					5:1			1 OF 1	A1	