

THIS DRAWING IS UNPUBLISHED.

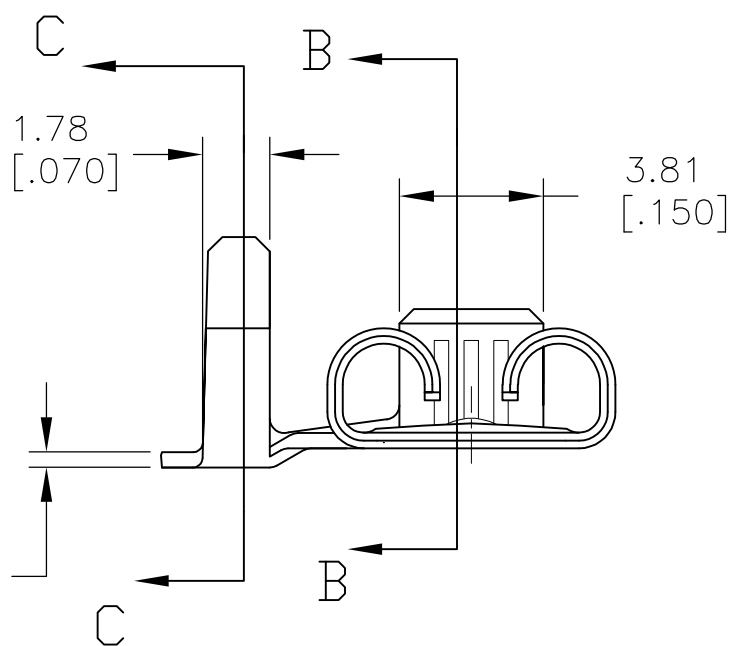
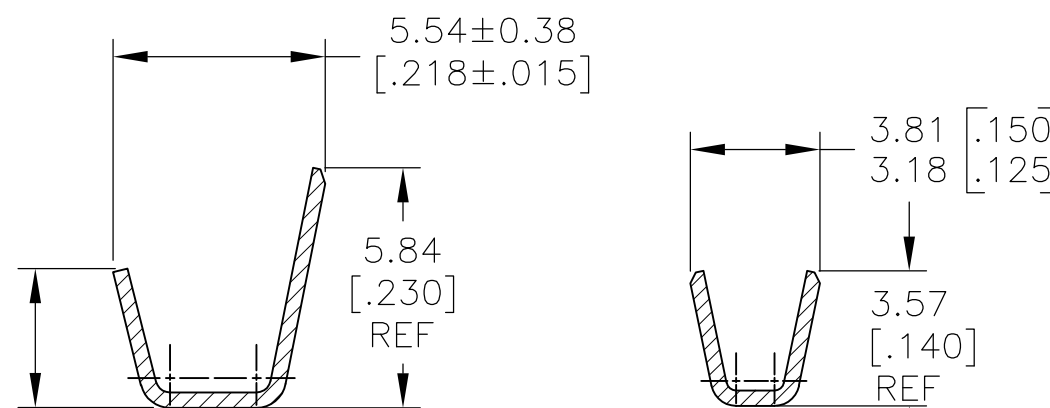
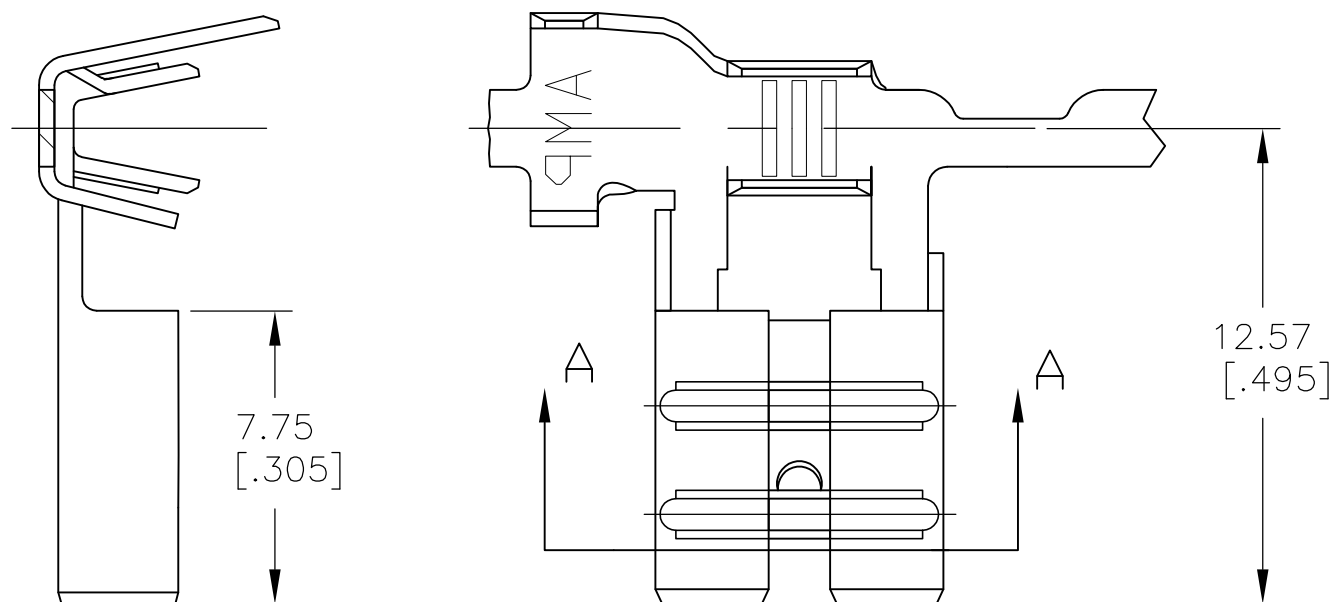
RELEASED FOR PUBLICATION

ALL RIGHTS RESERVED.

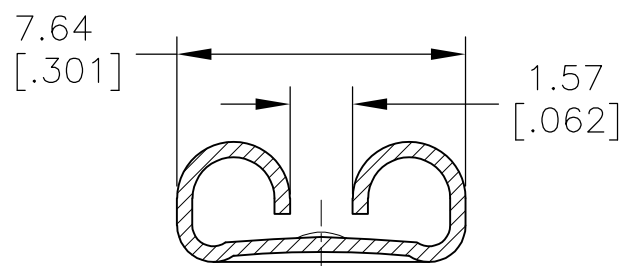
© COPYRIGHT - By -

LOC	DIST	REVISIONS					
		P	LTR	DESCRIPTION	DATE	DWN	APVD
-	-	A1		RELEASED PER ECO 13-013005	14AUG13	JR	PD

- CONTINUOUS STRIP ON REELS
- WIRE SIZE #18-#14 AWG
- INSULATION DIA 2.79-4.06 [.110-.160] DIA
- MATING TAB THK IS 0.81 ± 0.025 [.032±.001]
- RECEPTACLE IS DESIGNED TO OPTIMIZE MATING AND UNMATING FORCES ON A TAB WITH A RETENTION HOLE. VALUES MAY VARY ON A TAB WITH A DETENT.




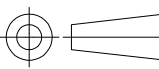
SECTION B-B



SECTION A-A

TIN PLATE	1742999-2
-----	1742999-1
FINISH	PART NO.

0.41 ± 0.025 [.016±.001]

THIS DRAWING IS A CONTROLLED DOCUMENT.		DWN	JR RUTH	30NOV2012	 TE Connectivity			RECEPTACLE, FLAG FASTON, .250 SERIES	
DIMENSIONS: MM [INCHES]		CHK	PETE DESANTIS	30NOV12					
		APVD	PETE DESANTIS	30NOV12					
TOLERANCES UNLESS OTHERWISE SPECIFIED:		PRODUCT SPEC	-						
MATERIAL		FINISH		-		NAME	-		
BRASS		SEE TABLE		-		APPLICATION SPEC	-		
		WEIGHT		-		SIZE	CAGE CODE	DRAWING NO	RESTRICTED TO
		CUSTOMER DRAWING		-		A3	00779	C-1742999	-
		SCALE		5:1		SHEET		1 OF 1	
		REV		A1					