

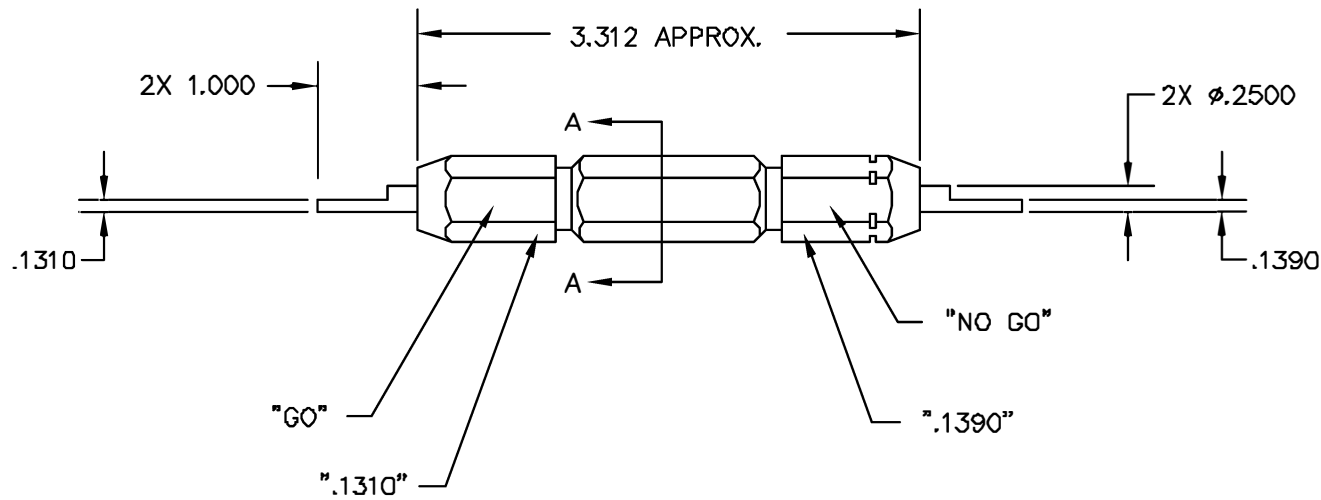
REVISIONS				
REV. SYM.	E.C.D. NUMBER	DESCRIPTION	BY DATE	APP'D DATE
1		ORIGINAL RELEASE	JWI 2/25/88	RSR 2/25/88

"DANIELS-USA G744"




"DO NOT CRIMP"  
"GAGE"

SECTION A-A



**UNCONTROLLED DOCUMENT  
WILL NOT BE UPDATED**

<b>RESTRICTED &amp; CONFIDENTIAL</b>  CONFIDENTIAL PROPERTY OF DANIELS MANUFACTURING CORP. NOT TO BE DISCLOSED TO OTHERS. REPRODUCED OR USED FOR ANY OTHER PURPOSE, EXCEPT AS AUTHORIZED IN WRITING BY DANIELS MANUFACTURING. MUST BE RETURNED TO DANIELS MANUFACTURING CORP. ON COMPLETION OF ORDER OR OTHER PURPOSE FOR WHICH SENT.	MATERIAL	ITEM	PART NO.	QTY.	DESCRIPTION/REMARKS										
	HEAT TREAT	DRN. J. JOYCE	DATE 2/25/88		 <b>DANIELS MANUFACTURING CORP.</b> ORLANDO, FLORIDA FSCM 11851										
	FINISH	APP'D.	DATE												
DO NOT SCALE DRAWING		APP'D.	DATE		TITLE <b>GO/NO-GO GAGE ENVELOPE DRAWING</b>										
					WHERE USED: <table border="1"> <tr> <td>SIZE B</td> <td>SCALE NTS</td> <td>CAD FILE NO G744-ENV</td> <td>SHEET OF 1</td> <td>REV. 1</td> </tr> <tr> <td>POSTING</td> <td></td> <td>P/N G744-ENV</td> <td></td> <td></td> </tr> </table>	SIZE B	SCALE NTS	CAD FILE NO G744-ENV	SHEET OF 1	REV. 1	POSTING		P/N G744-ENV		
SIZE B	SCALE NTS	CAD FILE NO G744-ENV	SHEET OF 1	REV. 1											
POSTING		P/N G744-ENV													