



Networkable Media Player

The ViewStream 505 (VS-505) is a digital video and JPEG network player designed for the playback of MPEG-2/4 and high resolution still pictures on TV and LCD monitors in commercial environments. The videos and pictures are stored and played directly from a solid state SD memory card. The VS-505 also supports 720p up-scaling on DVI output.

- > Solid State
- > Cost Effective Networking Solution
- > Scheduled Playback + Interactivity
- > MPEG-4, MPEG-2, JPEG
- > DVI, Composite Video Output
- > 720p Upscaling

Content Format Supported

Video (Composite) :	MPEG 4 (720 x 576, PAL) MPEG 4 (720 x 480, NTSC)
Video (DVI-I)	MPEG 4 (720 x 400)
Still Picture :	JPEG (1280 x 720) on DVI
Audio :	44.1kHz Stereo, 224kbit/s
Codec	MPEG 2 (.mpg), MPEG 4 DivX (.avi) JPEG (.jpg)

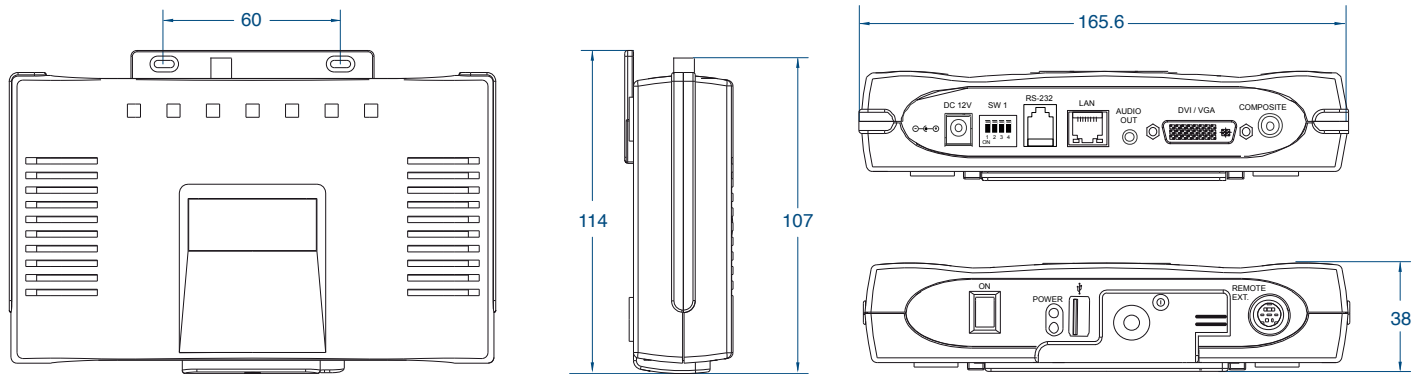
Features

OSD Functions :	Set Date / Time / Set ID / Volume / Data Logging / OSD Display
IR Control	Display / 0-9 / Play / Stop / Repeat Pause / Volume / Track / Mute
Play Modes :	Playlist Mode Simple Play Mode Schedule Playback
USB Update :	Entire / Partial Update Auto Power Cycleing After USB Plug / Unplug
Interactivity :	Supports External Buttons Touch Screen Motion Sensor Barcode Scanner Serial Port Control
Network :	Supports FTP Content Management Software

Specification

Playable Format :	.mpg / .jpg
Storage Media :	SD Card
Video Output :	Composite - 720x576(PAL), 720x480(NTSC) DVI - 1280x720@60Hz
Line out :	Stereo phone jack (3.5mm)
Playback Functions :	Play / Stop / Pause / Repeat / Previous track / Next track / Volume / Mute Loop playback / Sequence play / Startup mode / Sleep mode
External I/O Ports :	RS-232 (57600, N-8-1) USB (Content Upload) Infra-Red (For IR handset) Remote Ext (For 8-Button & Touch)
Network :	RJ-45 Lan Connector
LED :	Power / Status LED (Green)
Watchdog :	Support System Reset
Real Time Clock :	Battery Backup RTC
Power Requirement :	DC 12v Input
Power Consumption :	500 mA @ 12v
Operating Temp :	0°C to 50°C
Relative Humidity :	5% - 95% Relative Humidity (Non-Condensing Condition)
Dimension (W x D x H) :	165.6mm x 107mm x 38mm
Weight (net) :	250g

Technical Drawing :



Ordering Options

VS-505 Promo Pack	P/N 586240100-3
VS-505 Bulk Pack	P/N 586240300-3

Available Documentation

User Guide
 Content Creation Guide
 Firmware Upgrade Procedure
 DV Studio2 User Guide

Accessories

IR handset	P/N 559000104-3
Remote Ex. cable	P/N 426451401-3
8-button switchmount for Remote Ex.	P/N 416101300-3
Composite video cable, 6ft (RCA-Yellow)	P/N 420000600-3
Audio cable, phone plug to RCAs, 6ft (RCAs-Red/White)	P/N 420001400-3
DVI adapter	P/N 212201190-3
RJ-11 to RS-232 Cable	P/N 426894300-3

Software

DV Studio	For playlist creation scheduled playback RS-232 Functionality
USB Update	Content Updates Data Log Retrieval

USA

18440 Technology Drive, Morgan Hill, CA 95037, USA
 t : +1 (408) 782-7773

EUROPE

The Lake House, Knebworth Park, Herts, SG3 6PY, UK
 t : +44 (0)207 631 2150

ASIA

16th Floor Millennium City 3, 370 Kwun Tong Road, Kwun Tong, Hong Kong
 t : (852) 2861-3615