

4

3

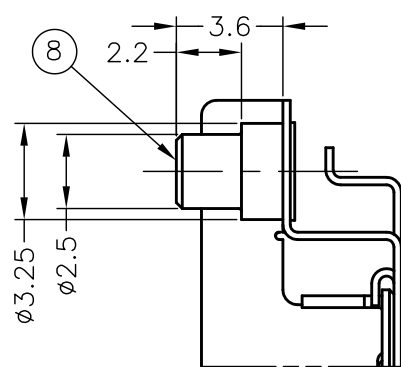
2

1

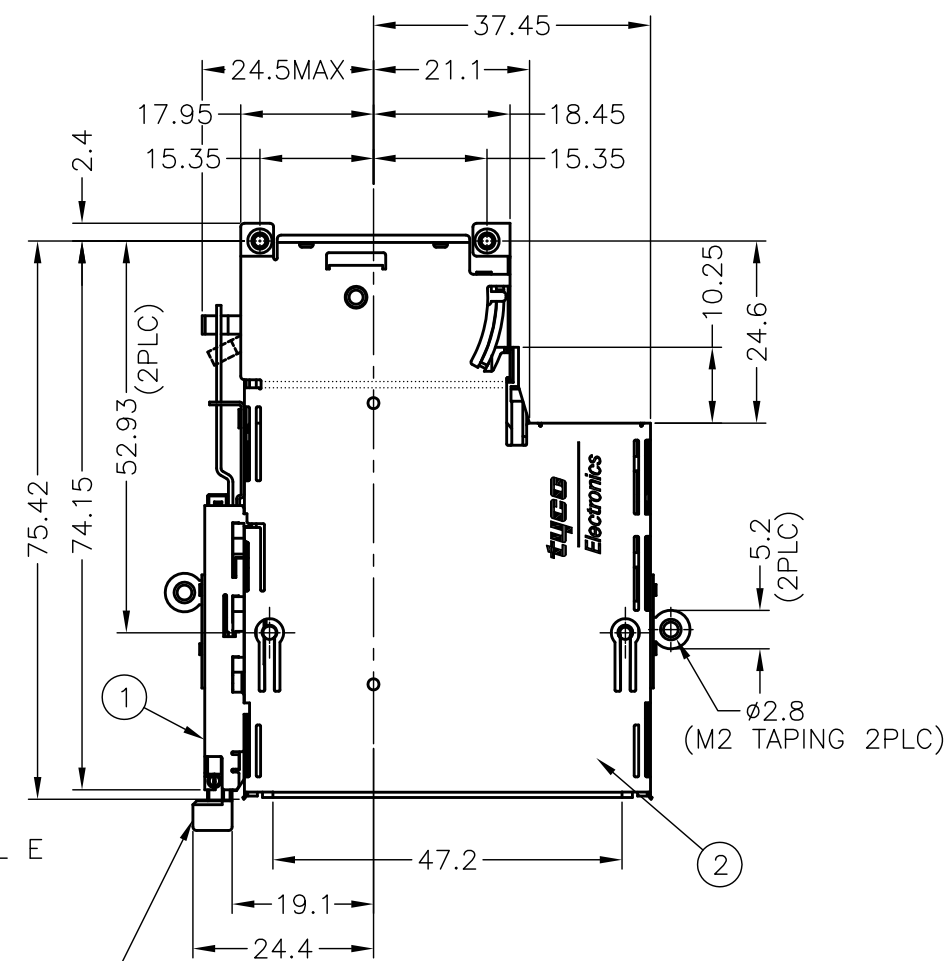
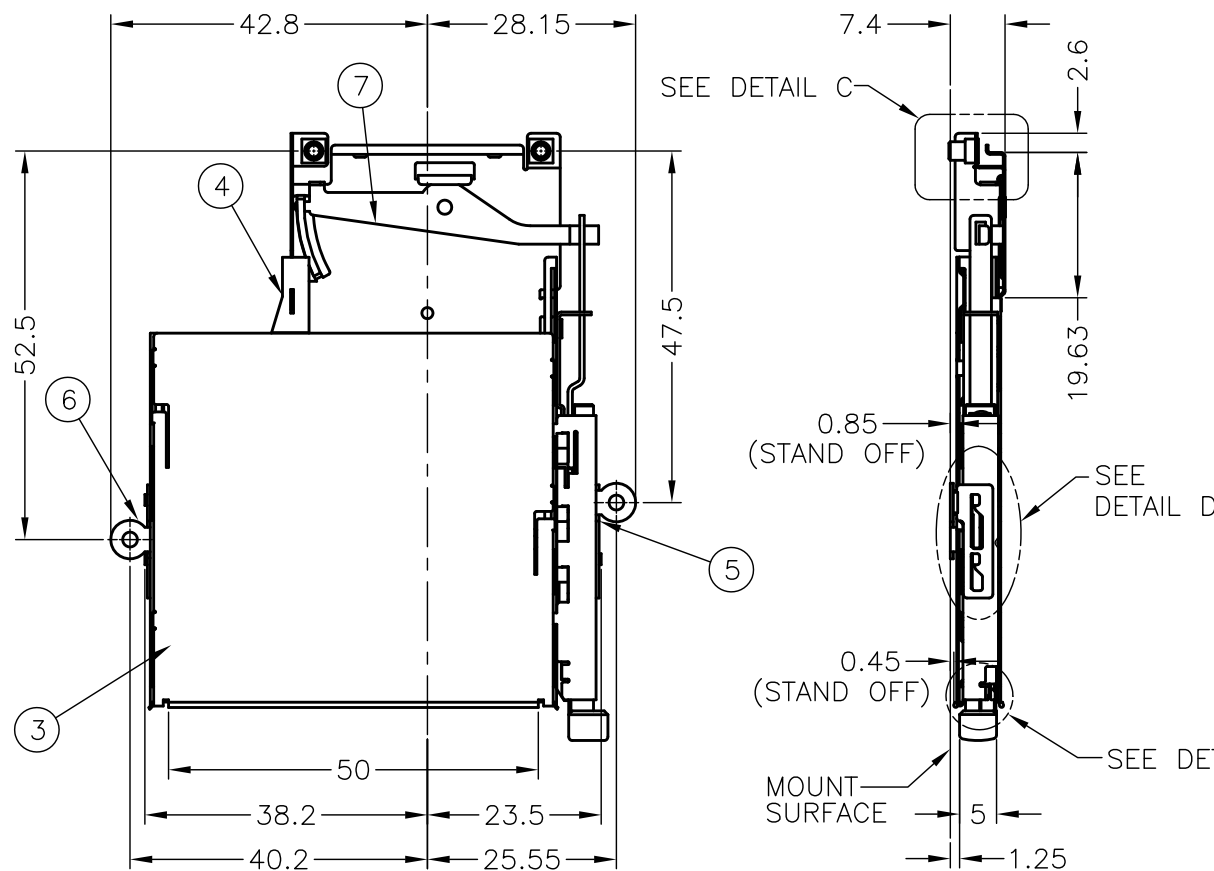
THIS DRAWING IS UNPUBLISHED. RELEASED FOR PUBLICATION  
 © COPYRIGHT - By - ALL RIGHTS RESERVED.

LOC	DIST	REVISIONS			
P	LTR	DESCRIPTION	DATE	DWN	APVD
DW		D1	REVISED (ECR-13-008834)	11SEP2013	B.W H.K

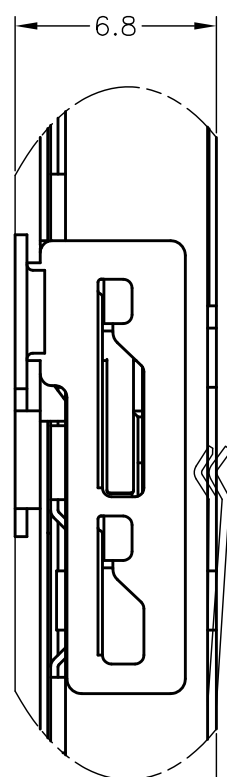
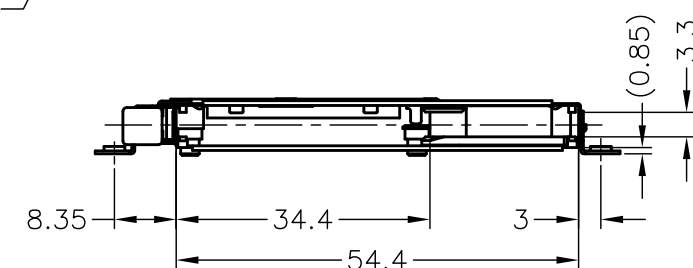
-3 : AS SHOWN



DETAIL C (SCALE 4:1)

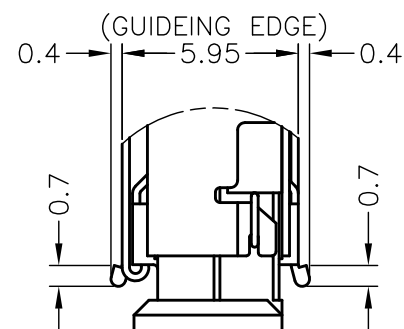


BUTTON COLOR:  
 GRAY(1759880-1)  
 BLACK(1759880-3)



0.43MAX (AFTER CARD INSERTED)

DETAIL D (SCALE 4:1)



DETAIL E (SCALE 4:1)

THIS DRAWING IS A CONTROLLED DOCUMENT.		DWN	S.WATANABE	15AUG07	 TE Connectivity
DIMENSIONS: mm		CHK	J.CHIANG	15AUG07	
TOLERANCES UNLESS OTHERWISE SPECIFIED:		APVD	H. KODAMA	15AUG07	
0 PLC ± 0.3 1 PLC ± 0.25 2 PLC ± 0.25 3 PLC ± - 4 PLC ± - ANGLES ± 1°		PRODUCT SPEC		NAME	
MATERIAL		APPLICATION SPEC		EXPRESS CARD CONNECTOR SHIELD FRAME ASSEMBLY, TOP MOUNT	
FINISH		WEIGHT		18GRAM	RESTRICTED TO
		CUSTOMER DRAWING		SIZE	A3
				CAGE CODE	00779
				DRAWING NO	1759880
				SCALE	1:1
				SHEET	1 of 4
				REV	D1

4

3

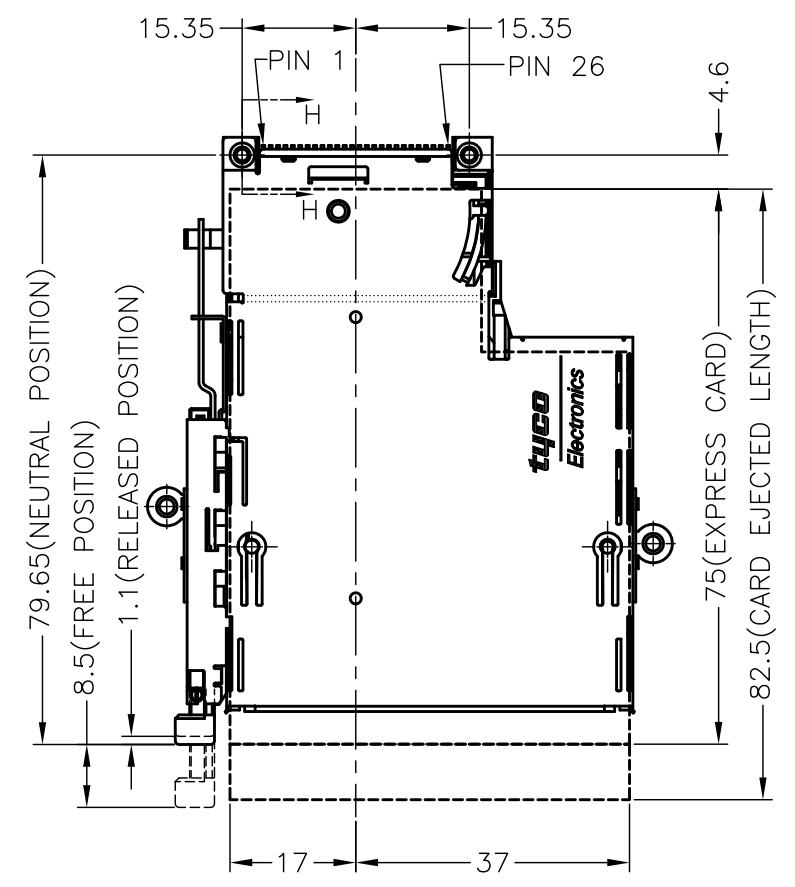
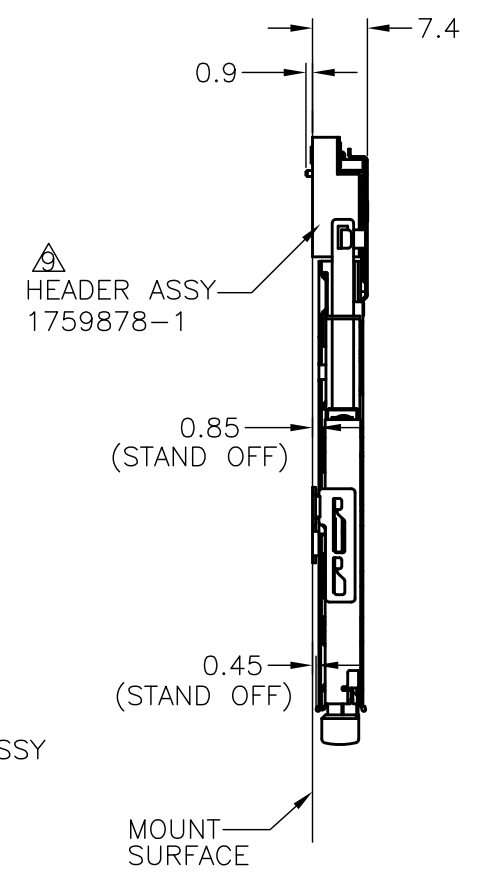
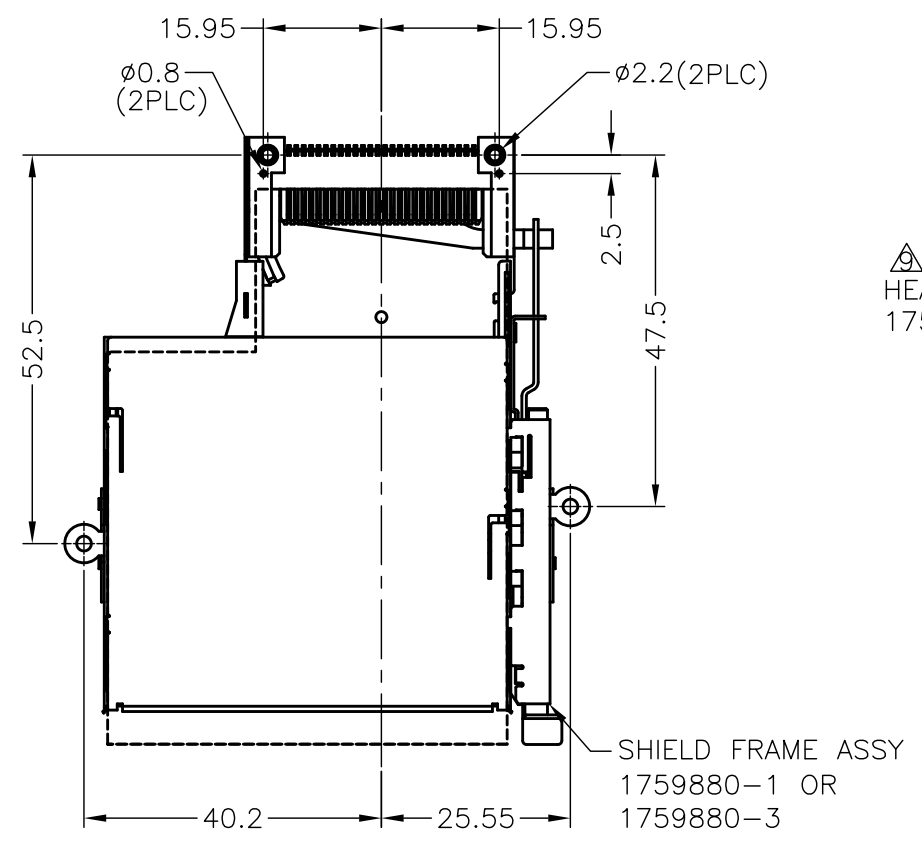
2

1

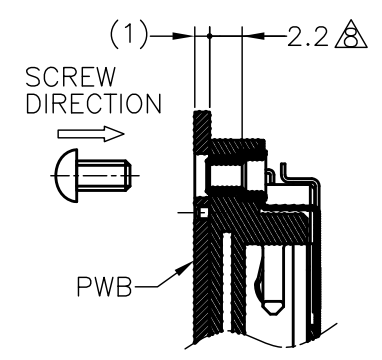
THIS DRAWING IS UNPUBLISHED. RELEASED FOR PUBLICATION  
 © COPYRIGHT - By - ALL RIGHTS RESERVED.

LOC	DIST	REVISIONS			
P	LTR	DESCRIPTION	DATE	DWN	APVD
-	-	SEE SHEET 1	-	-	-

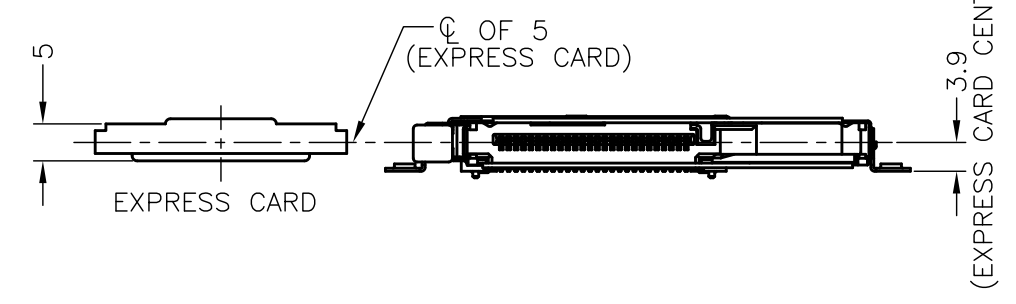
-3 : AS SHOWN



REFERENCE FIGURE WHICH ATTACHED HEADER ASSEMBLY



H-H SCALE 2:1



THIS DRAWING IS A CONTROLLED DOCUMENT.		DWN		TE Connectivity	
DIMENSIONS: mm		CHK			
TOLERANCES UNLESS OTHERWISE SPECIFIED:		APVD		NAME	
0 PLC ± 0.3 1 PLC ± 0.25 2 PLC ± 0.25 3 PLC ± - 4 PLC ± - ANGLES ± 1°		PRODUCT SPEC		EXPRESS CARD CONNECTOR SHIELD FRAME ASSEMBLY, TOP MOUNT	
MATERIAL		FINISH		RESTRICTED TO	
		WEIGHT		SIZE CAGE CODE DRAWING NO	
CUSTOMER DRAWING		SCALE 1:1		A3 00779 1759880	
		SHEET 2 OF 4		REV D1	

THIS DRAWING IS UNPUBLISHED.

RELEASED FOR PUBLICATION

ALL RIGHTS RESERVED.

© COPYRIGHT - By -

LOC DW

DIST

P

LTR

REVISIONS

DESCRIPTION

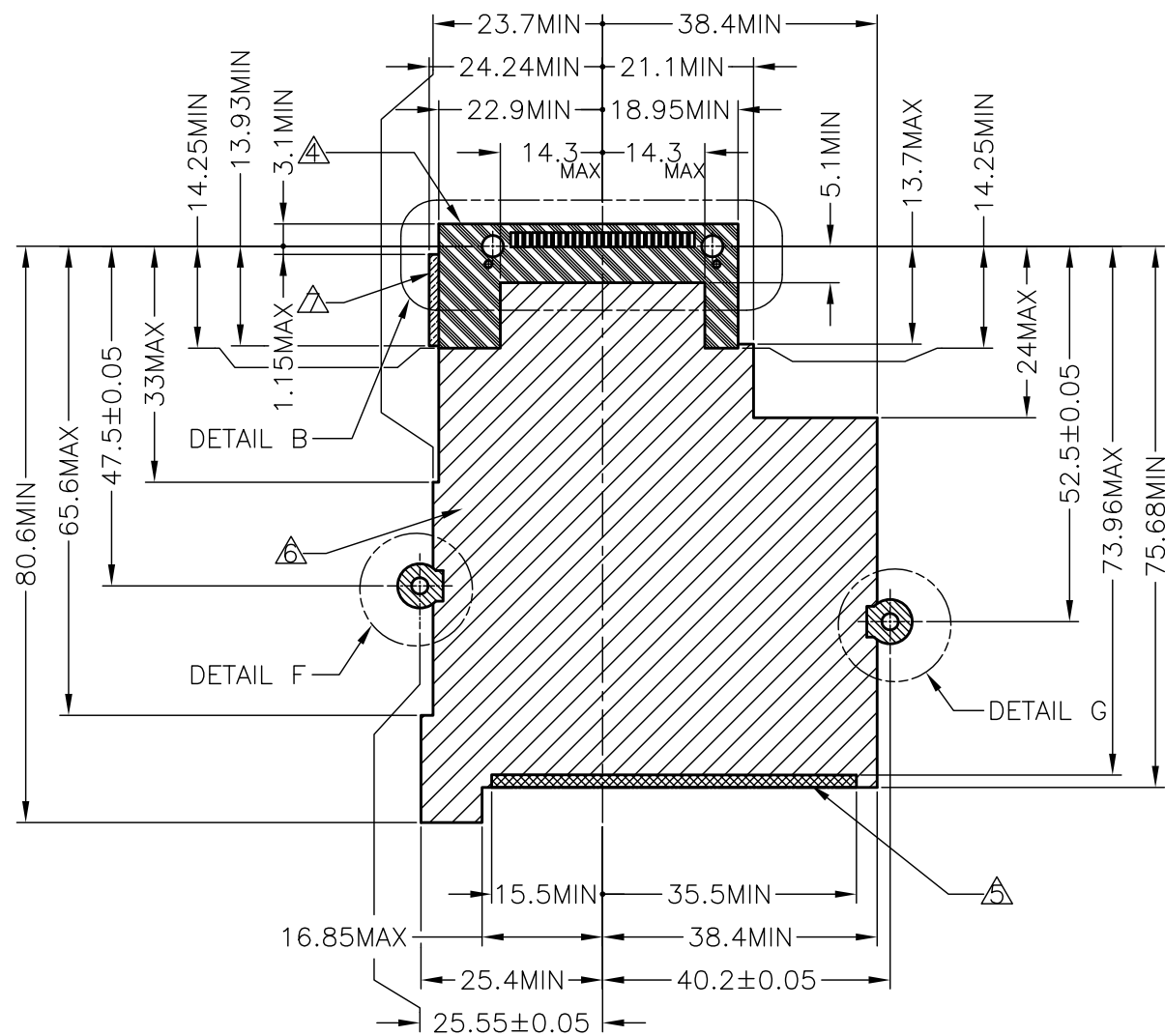
DATE

DWN

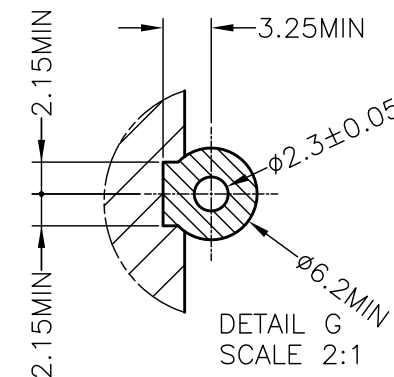
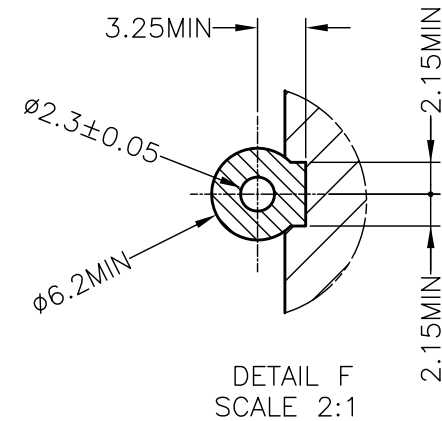
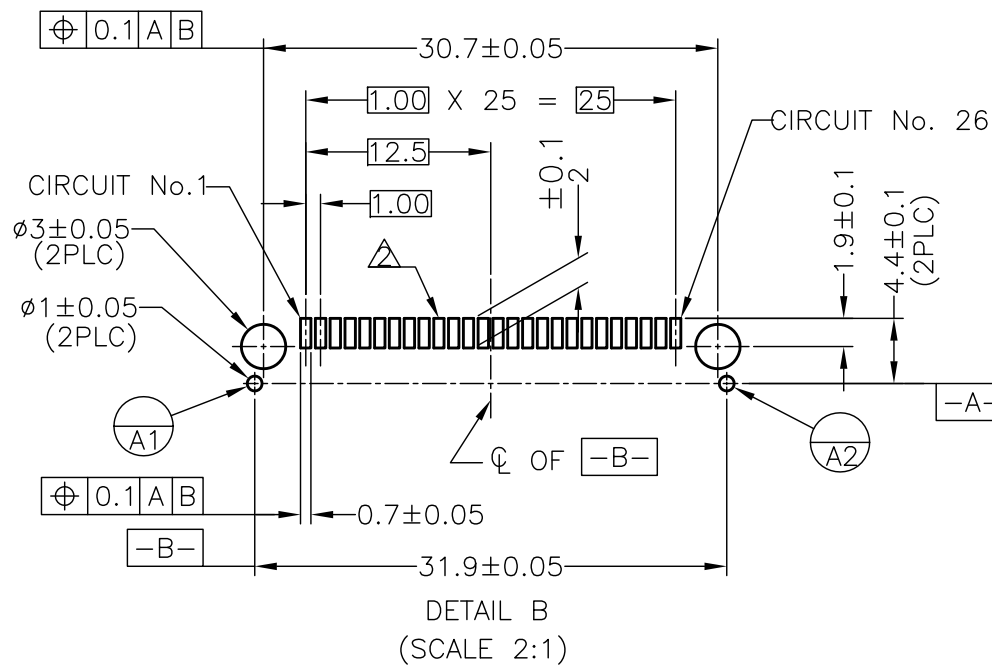
APVD

SEE SHEET 1

-3 : AS SHOWN



RECOMMEND PWB LAYOUT



NOTES:

- RECOMMENDED TIGHTENING TORQUE 0.15~0.2Nm
- SOLDERING PAD
- GROUNDING PAD
- NO COMPONENT AND NO SIGNAL LINE AREA
- STAND OFF 0.45mm
- STAND OFF 0.85mm
- STAND OFF 3.25mm
- M2 SCREW LENGTH
- HEADER ASS'Y, 1759878-1, PURCHASED SEPARATELY

ITEM	NAME	MATERIAL	FINISH	1759880-3	1759880-2	1759880-1	Q'TY
⑧	BUSH (M2X0.4 TAP)	STAINLESS STEEL					2
⑦	ARM BAR	STAINLESS STEEL					1
⑥	BRACKET (R) (M2X0.4 TAP)	STAINLESS STEEL					1
⑤	BRACKET (L) (M2X0.4 TAP)	STAINLESS STEEL					1
④	GUIDE RAIL HSG	THERMOPLASTIC (UL94 V-0)	BLACK	BLACK	BLACK		1
③	LOWER SHELL	STAINLESS STEEL					1
②	UPPER SHELL	STAINLESS STEEL					1
①	PUSH PUSH ASSY	STAINLESS STEEL					1
		THERMOPLASTIC (UL94 V-0)	BLACK	GRAY	GRAY		
			COLOR				

OBSOLETE

THIS DRAWING IS A CONTROLLED DOCUMENT.

DIMENSIONS: mm

TOLERANCES UNLESS OTHERWISE SPECIFIED:

0 PLC	± 0.3
1 PLC	± 0.25
2 PLC	± 0.25
3 PLC	± -
4 PLC	± -
ANGLES	± 1°

MATERIAL FINISH

STE TE Connectivity

EXPRESS CARD CONNECTOR SHIELD FRAME ASSEMBLY, TOP MOUNT

SIZE A3 CAGE CODE 00779 DRAWING NO. 1759880 RESTRICTED TO

CUSTOMER DRAWING SCALE 1:1 SHEET 3 OF 4 REV D1

4

3

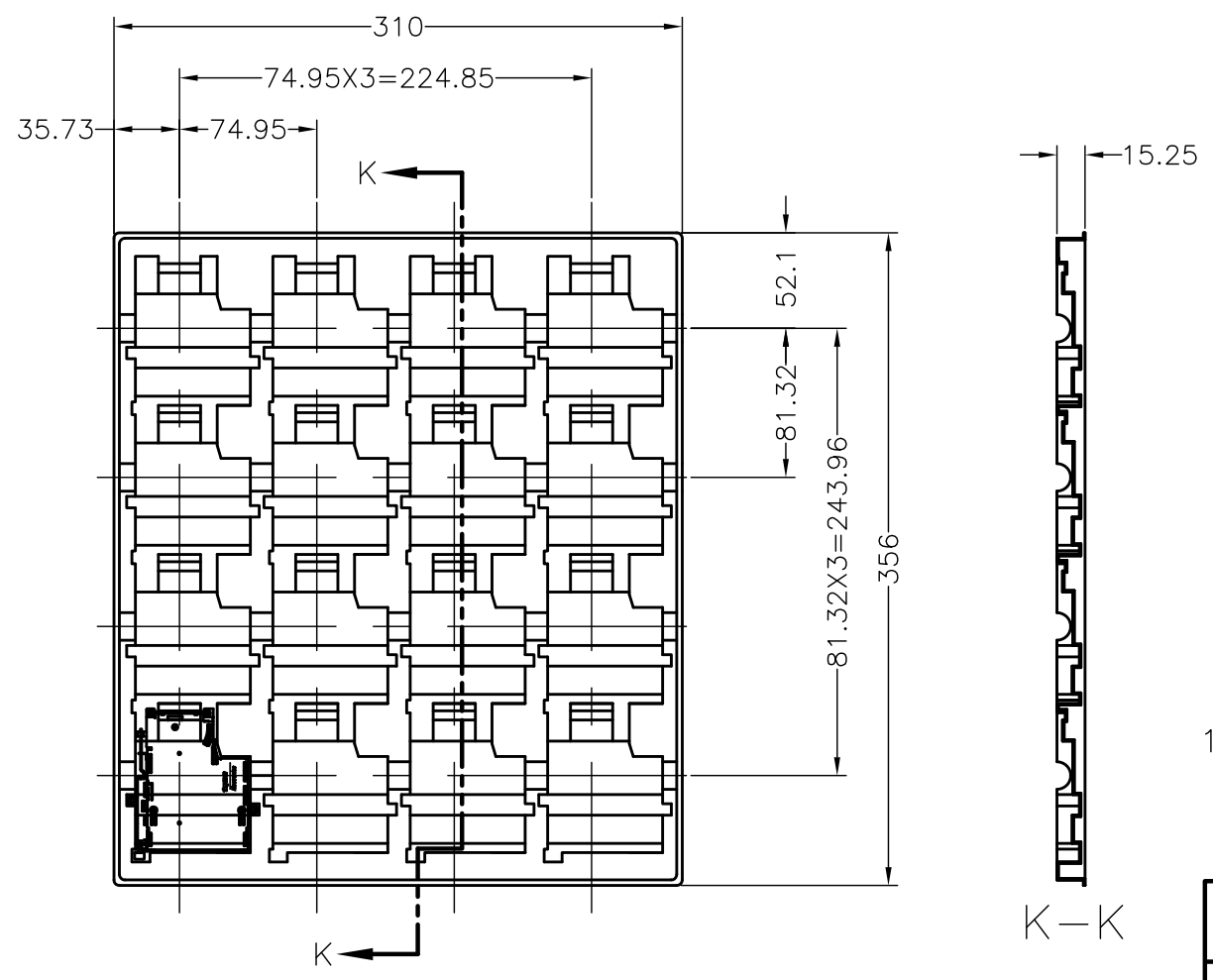
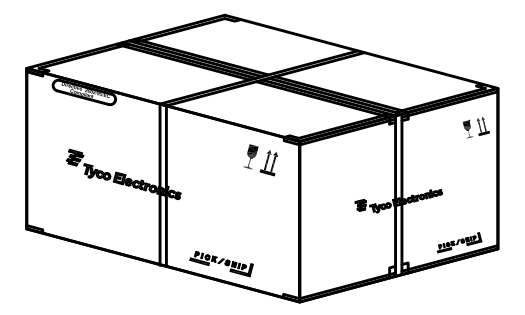
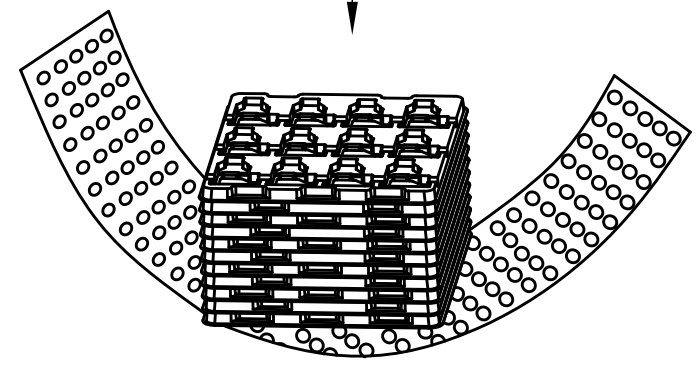
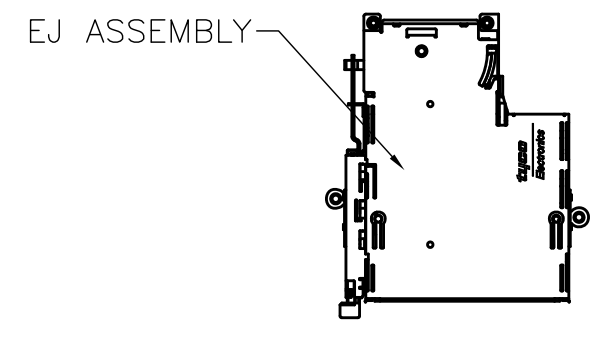
2

1

THIS DRAWING IS UNPUBLISHED. RELEASED FOR PUBLICATION  
 © COPYRIGHT - By - ALL RIGHTS RESERVED.

LOC	DIST	REVISIONS				
P	LTR	DESCRIPTION	DATE	DWN	APVD	
DW	/	SEE SHEET 1	-	-	-	

-3 : AS SHOWN



10. PACKING MATERIAL :  
 TRAY : PS  
 SHIPPING CARTON : CORRUGATED FIBERBOARD

16	10	160
PCS/TRAY	TRAY/CARTON	TOTAL QTY

THIS DRAWING IS A CONTROLLED DOCUMENT.		DWN	 TE Connectivity			
DIMENSIONS: mm		CHK				
TOLERANCES UNLESS OTHERWISE SPECIFIED: 0 PLC ± 2 1 PLC ± 1 2 PLC ± 1 3 PLC ± - 4 PLC ± - ANGLES ± 3°		APVD				
MATERIAL		PRODUCT SPEC				
FINISH		APPLICATION SPEC	NAME EXPRESS CARD CONNECTOR SHIELD FRAME ASSEMBLY, TOP MOUNT			
		WEIGHT	SIZE	CAGE CODE	DRAWING NO	RESTRICTED TO
		CUSTOMER DRAWING	A3	00779	1759880	-
			SCALE	SHEET	REV	
			1:1	4 OF 4	D1	