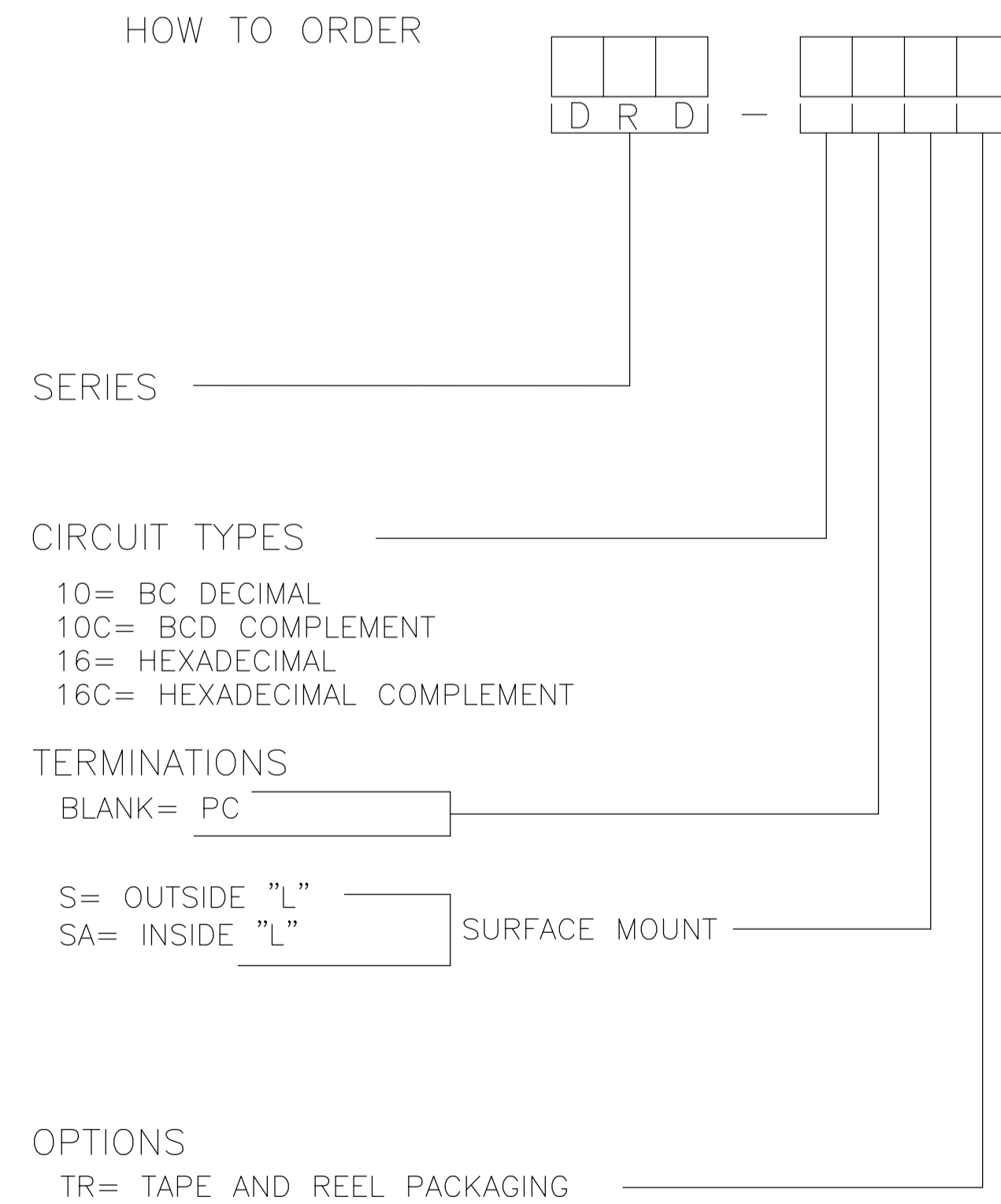


PC MOUNT



SPECIFICATIONS:

MATERIAL:
 FRAME & CASE- PPS UL94V-0, BLACK
 ROTOR, PA6T UL94V-0, COLOR SEE P/N TABLE
 FIXED CONTACT/TERMINAL- COPPER ALLOY, GOLD FLASH OVER NICKEL PLATE
 MOVING CONTACT- COPPER ALLOY, GOLD FLASH OVER NICKEL PLATE
 BALL SUPPORT PLATE- COPPER ALLOY
 BALL- STAINLESS STEEL
 DETENT SPRING- STAINLESS STEEL
 O-RING- SILICON RUBBER

ELECTRICAL:
 CONTACT RATING- 0.4VA@ 20V DC OR PEAK AC
 INITIAL CONTACT RESISTANCE- 50 MILLIOHMS MAX
 INSULATION RESISTANCE- 1,000 MEGOHMS@100V DC
 DIELECTRIC STRENGTH- 300V AC
 LIFE EXPECTANCY- 10,000 ROTATIONS

MECHANICAL:
 OPERATING FORCE- 13.88 OZF.IN. MAX

ENVIRONMENTAL:
 OPERATING TEMPERATURE- -30°C TO +85°C
 STORAGE TEMPERATURE- -45°C TO +100°C
 RESISTANCE TO SOLDER HEAT-PER 109-202, COND B (THRU-HOLE) OR 109-201, COND B (SMT)
 SOLDERABILITY-PER JIS C 0050 & JIS C 0053

NOTES:

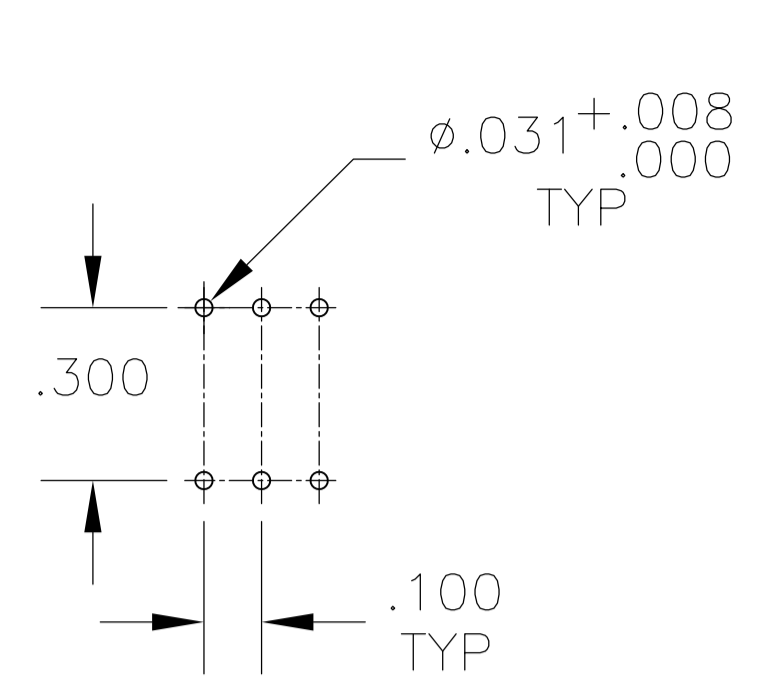
- ALL MATERIALS AND FINISHES SHALL COMPLY WITH EU DIRECTIVE 2002/95/EC OF 27JAN2003 (ROHS).
 - TAPE & REEL PACKAGING PER EIA-481.
 - COMMON TERMINALS ARE CONNECTED INTERNALLY.
- △ LOCATE 'ALCO' TRADE NAME AND LOT NUMBER MARKING. LOT NUMBER TO BE MARKED AS FOLLOW:
- | | |
|-----------|-----------|
| 4 | F |
| 1ST DIGIT | 2ND DIGIT |
| YEAR 1194 | MONTH 6 |
- MARK WITH PERMANENT WHITE INK.
- △ TOP TAPE SEAL INCLUDED.

STATUS	THRU-HOLE	ROTOR	COLOR	CASE COLOR	ALCO P/N	PART NO.
OBSOLETE	THRU-HOLE	BLACK	BLACK	DRD16ET04	2-1825007-2	
	THRU-HOLE	RED	BLACK	DRD10ET04	2-1825007-1	
	SMT	BLACK	BLACK	DRD16SETR04	2-1825007-0	
	SMT	BLACK	BLACK	DRD16SAETR04	1-1825007-9	
	SMT	BLACK	BLACK	DRD16SE04	1-1825007-8	
OBSOLETE	SMT	BLACK	BLACK	DRD16SAE04	1-1825007-7	
OBSOLETE	THRU-HOLE	BLACK	BLACK	DRD16E04	1-1825007-6	
	SMT	WHITE	BLACK	DRD16CSETR04	1-1825007-5	
OBSOLETE	SMT	WHITE	BLACK	DRD16CSAETR04	1-1825007-4	
	SMT	WHITE	BLACK	DRD16CSE04	1-1825007-3	
	SMT	WHITE	BLACK	DRD16CSAE04	1-1825007-2	
OBSOLETE	THRU-HOLE	WHITE	BLACK	DRD16CE04	1-1825007-1	
	SMT	RED	BLACK	DRD10SETR04	1-1825007-0	
	SMT	RED	BLACK	DRD10SAETR04	1825007-9	
OBSOLETE	SMT	RED	BLACK	DRD10SE04	1825007-8	
	SMT	RED	BLACK	DRD10SAE04	1825007-7	
	THRU-HOLE	RED	BLACK	DRD10E04	1825007-6	
OBSOLETE	SMT	ORANGE	BLACK	DRD10CSETR04	1825007-5	
	SMT	ORANGE	BLACK	DRD10CSAETR04	1825007-4	
	SMT	ORANGE	BLACK	DRD10CSE04	1825007-3	
	SMT	ORANGE	BLACK	DRD10CSAE04	1825007-2	
	THRU-HOLE	ORANGE	BLACK	DRD10CE04	1825007-1	

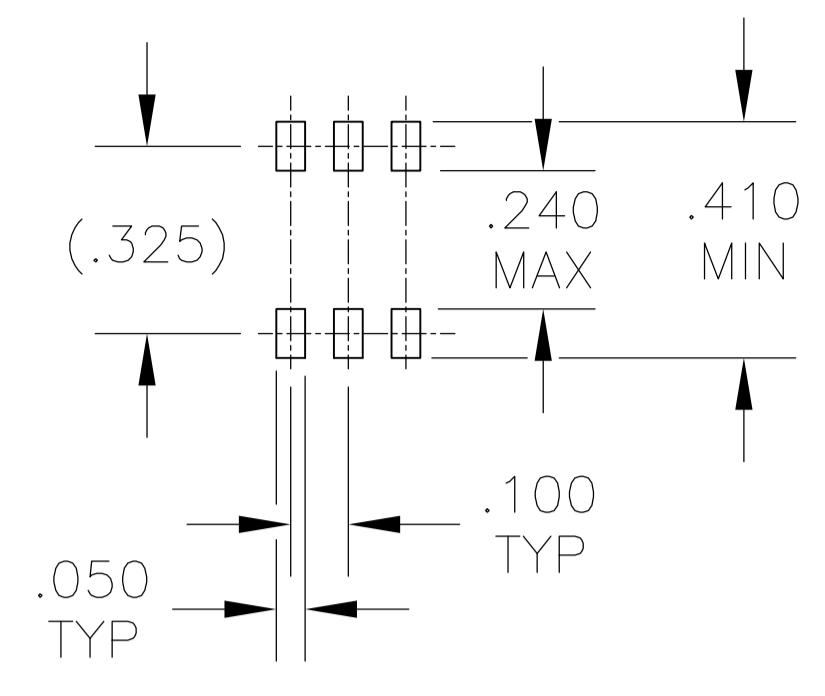
THIS DRAWING IS A CONTROLLED DOCUMENT.		DIN B.S.VISWESWARA 10MAY05	
DIMENSIONS: INCHES		CIRK M.S.SARVER APVD	
TOLERANCES UNLESS OTHERWISE SPECIFIED:		NAME	
0 PLC ± -	1 PLC ± -	PRODUCT SPEC	
2 PLC ± -	3 PLC ± .010	APPLICATION SPEC	
4 PLC ± -	ANGLES ± 1'	SIZE CASE CODE DRAWING NO	
MATERIAL SEE NOTE		WEIGHT 0	A1 00779 1825007
		CUSTOMER DRAWING	SCALE 4:1 SHEET 1 OF 2 REV AS



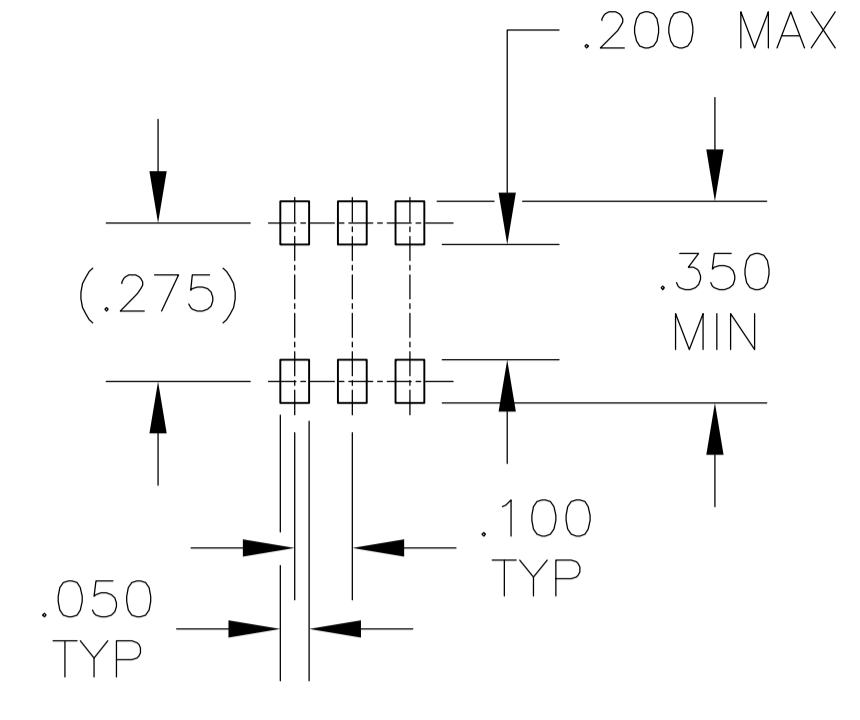
ROTARY DIP
DRD E SERIES



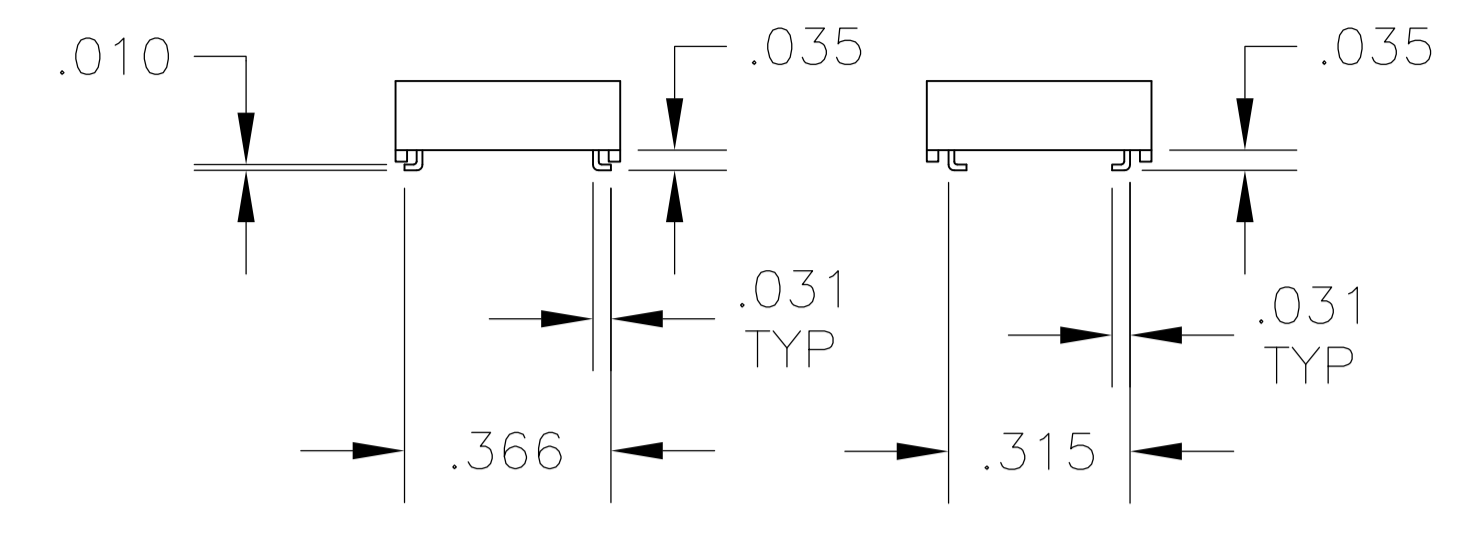
PC



OUTSIDE "L"



INSIDE "L"



OUTSIDE "L" TERMINAL VERTICAL

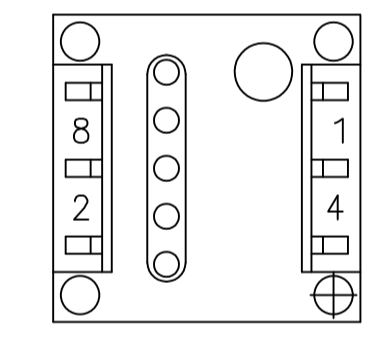
INSIDE "L" TERMINAL VERTICAL

PRINTED CIRCUIT BOARD LAYOUTS

TERMINAL CONFIGURATIONS

TRUTH TABLES

TERMINAL IDENTIFICATION (VIEWED FROM BOTTOM OF SWITCH)



10-POSITION, BCD ROTOR - RED

POS	0	1	2	3	4	5	6	7	8	9
C	X	X	X	X	X	X	X	X	X	X
1		X		X		X		X		X
2			X	X			X	X		
4					X	X	X	X		
8									X	X

16-POSITION, HEXADECIMAL ROTOR - BLACK

POS	0	1	2	3	4	5	6	7	8	9	A	B	C	D	E	F
C	X	X	X	X	X	X	X	X	X	X	X	X	X	X	X	X
1		X		X		X		X		X		X		X		X
2			X	X			X	X			X	X			X	X
4					X	X	X	X				X	X	X	X	X
8									X	X	X	X	X	X	X	X

10 POSITION, BCD COMPLEMENT ROTOR - ORANGE

POS	0	1	2	3	4	5	6	7	8	9
\bar{C}	X	X	X	X	X	X	X	X	X	X
$\bar{1}$	X		X		X		X		X	
$\bar{2}$	X	X			X	X			X	X
$\bar{4}$	X	X	X	X					X	X
$\bar{8}$	X	X	X	X	X	X	X	X		

16-POSITION, HEXADECIMAL COMPLEMENT ROTOR - WHITE

POS	0	1	2	3	4	5	6	7	8	9	A	B	C	D	E	F
\bar{C}	X	X	X	X	X	X	X	X	X	X	X	X	X	X	X	X
$\bar{1}$	X		X		X		X		X		X		X		X	
$\bar{2}$	X	X			X	X			X	X			X	X		
$\bar{4}$	X	X	X	X					X	X	X	X				
$\bar{8}$	X	X	X	X	X	X	X	X								

THIS DRAWING IS A CONTROLLED DOCUMENT.		DIN 10MAY05 B.S.VISWESWARA		TE Connectivity PRODUCT SPEC APPLICATION SPEC	
DIMENSIONS: INCHES		TOLERANCES UNLESS OTHERWISE SPECIFIED:			
0. PLC ± - 1. PLC ± - 2. PLC ± - 3. PLC ± .010 4. PLC ANGLES ± ± 1°		MATERIAL: SEE NOTE		NAME: M.S.SARVER PRODUCT SPEC: - APPLICATION SPEC: - SIZE: A1 CAGE CODE: 00779 DRAWING NO: 1825007 WEIGHT: 0 CUSTOMER DRAWING: -	
		SCALE: 4:1		SHEET 2 OF 2	