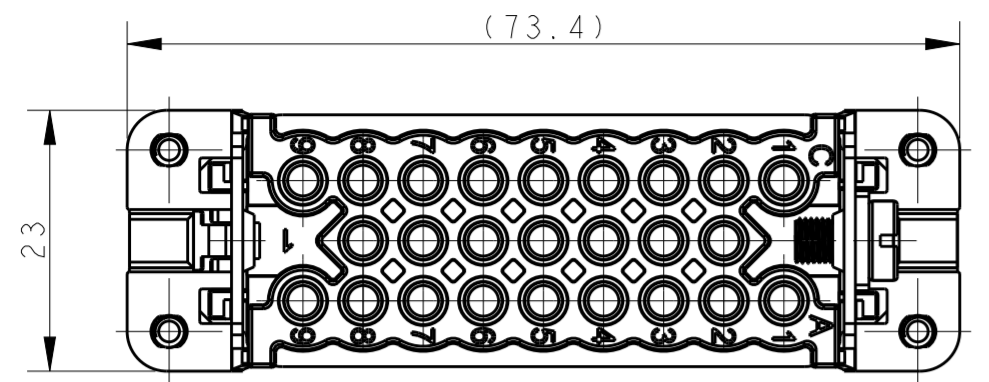


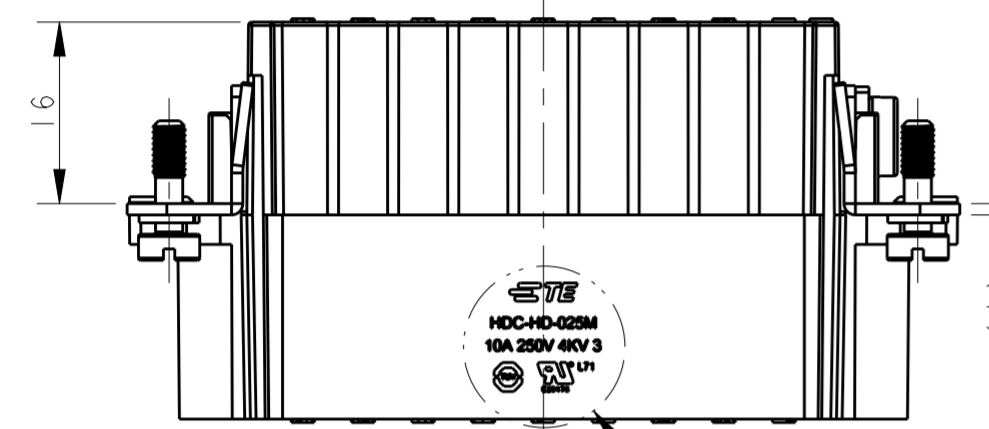
THIS DRAWING IS UNPUBLISHED. RELEASED FOR PUBLICATION 20
 © COPYRIGHT 20 BY - ALL RIGHTS RESERVED.

REVISIONS				
P	LTR	DESCRIPTION	DATE	APVD
A		INITIAL RELEASE	16DEC2014	HMR CW
B		ECR-15-013292	24SEP2015	DL CW
BI		ECR-16-011552	11AUG2016	QY CW

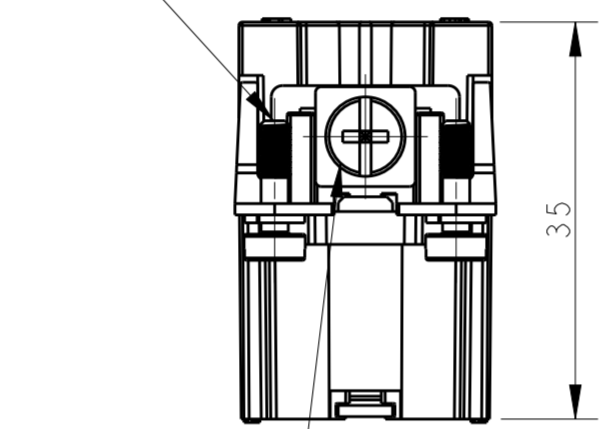
TYPT-1 / 类型-1



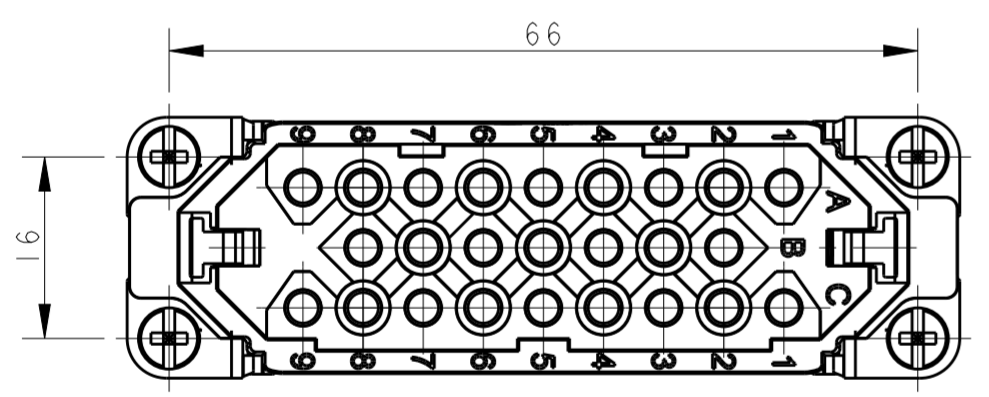
4X M3 SCREW
 RECOMMENDED TIGHTENING TORQUE 0.5Nm
 4X M3螺丝
 推荐锁紧力矩0.5Nm



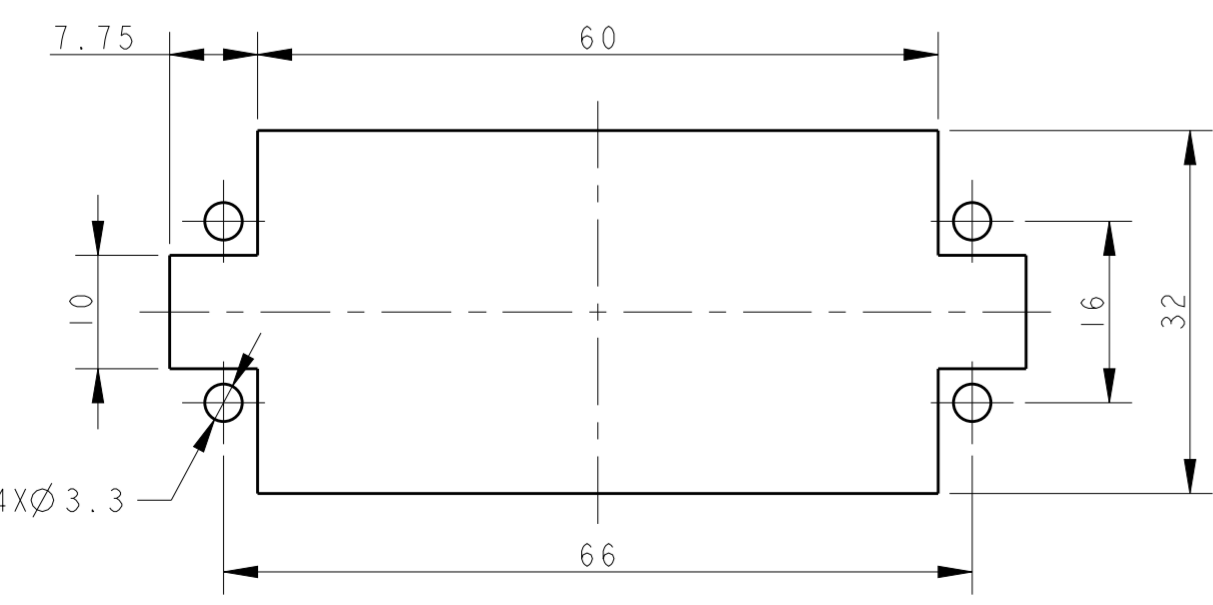
DETAIL C



M4 SCREW
 RECOMMENDED TIGHTENING TORQUE 1.2Nm
 M4螺丝
 推荐锁紧力矩1.2Nm

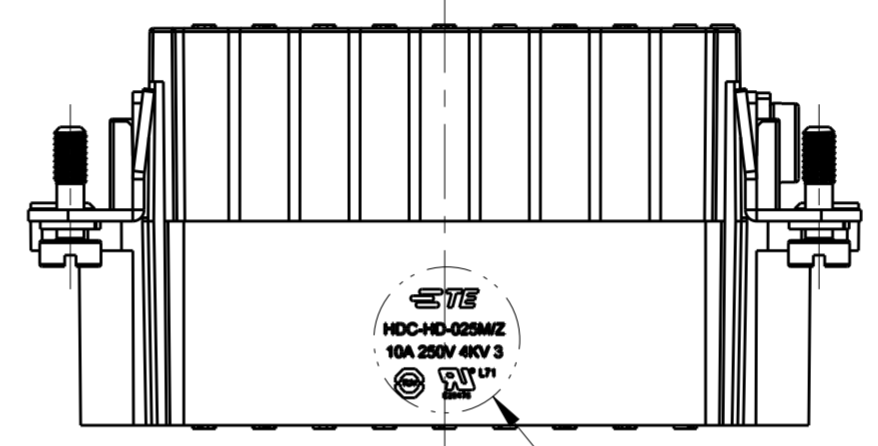
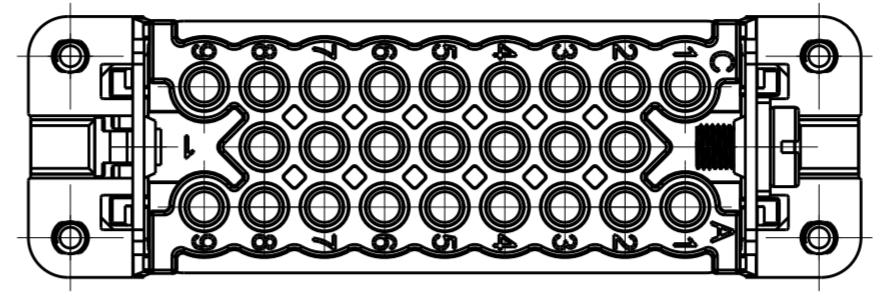


DETAIL C
 SCALE 5:1

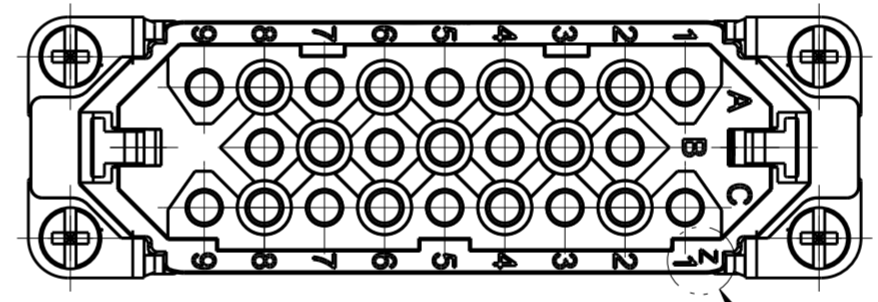


PANEL CUT OUT FOR INSERTS FOR USE WITHOUT HOODS/HOUSINGS

TYPT-2 / 类型-2

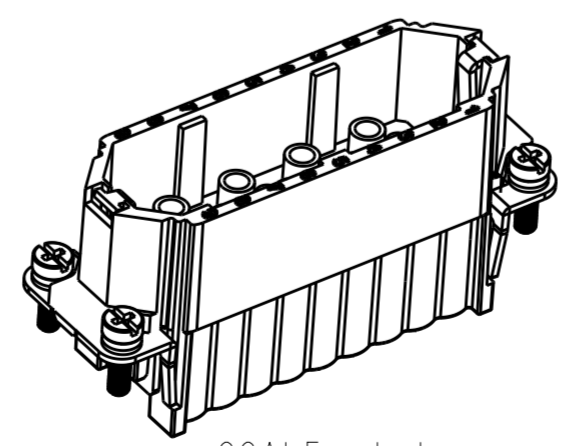


DETAIL A



DETAIL B

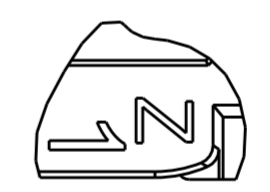
NOTE: TYPE-2 ALL THE DIMENSIONS ARE THE SAME WITH TYPE-1 EXCEPT THE LASER PRINT MARKINGS
 提示: 类型-2的所有尺寸与类型-1一致, 除了激光打标不一样, 详见视图



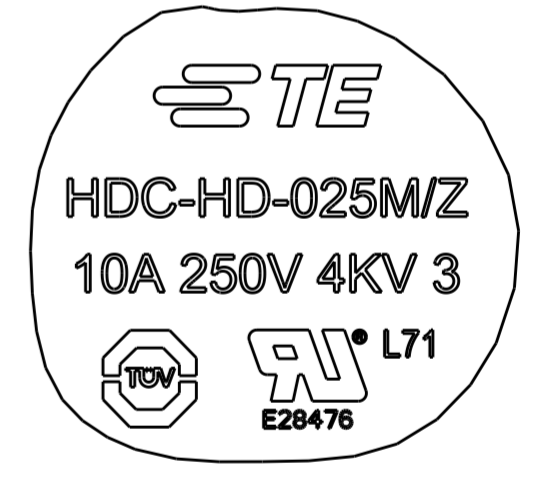
SCALE 1:1

NOTES:
 1. TECHNICAL CHARACTERISTICS:
 INSULATION MATERIAL: PC
 RATED VOLTAGE: 250 V
 RATED CURRENT: 10 A
 INSULATION RESISTANCE: >=400MΩ
 RATED IMPULSE VOLTAGE: 4 KV
 POLLUTION DEGREE: 3
 FLAMMABILITY: UL94V-0
 MATING CYCLES: 500 CYCLES
 WIRE RANGE: 0.14-2.5 mm² (26-14 AWG)
 CONTACT TYPE: CRIMP CONTACT
 2. CONTACT NEED TO BE ORDERED SEPARATELY.
 (ORDER No. REFER TO DRAWING: T20200X10XX000)

注释:
 1. 技术参数:
 绝缘材料: PC
 额定电压: 250V
 额定电流: 10A
 绝缘电阻: >=400MΩ
 额定脉冲电压: 4 KV
 污染等级: 3
 阻燃等级: UL94V-0
 插拔次数: 500次
 接线范围: 0.14-2.5 mm² (26-14 AWG)
 接线类型: 冷压接
 2. 端子需要单独订购。
 (订货号参考图面: T20200X10XX000)



DETAIL B
 SCALE 5:1



DETAIL A
 SCALE 5:1

T2020252101-Z00	HD-025-M/Z	HD-025 MALE INSERT(Z) HD-025公插(Z)	TYPE-2 类型-2
T2020252101-000	HD-025-M	HD-025 MALE INSERT HD-025公插	TYPE-1 类型-1
PART NUMBER 料号	PART DESCRIPTION 描述		TYPE 类型

THIS DRAWING IS A CONTROLLED DOCUMENT.		DWN RAGHAVENDRA H M 16DEC2014	TE Connectivity	
DIMENSIONS: mm		CHK CHRIS WANG 16DEC2014		
TOLERANCES UNLESS OTHERWISE SPECIFIED:		APVD XU XIANG 16DEC2014	NAME HD-025-M	
0 PLC ±		PRODUCT SPEC 108-137042	SIZE A2	
1 PLC ±		APPLICATION SPEC 114-137042	CAGE CODE -	
2 PLC ±		WEIGHT -	DRAWING NO. G-T2020252101000	
3 PLC ±		MATERIAL TBD	RESTRICTED TO -	
4 PLC ±			SCALE 3:2 SHEET 1 OF 1 REV BI	
ANGLES ±		CUSTOMER DRAWING		
FINISH -				