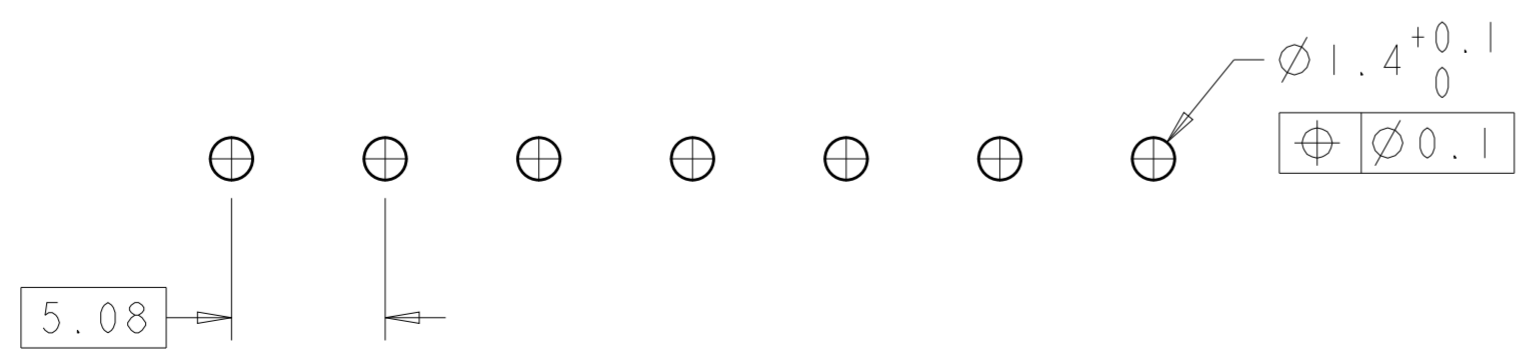
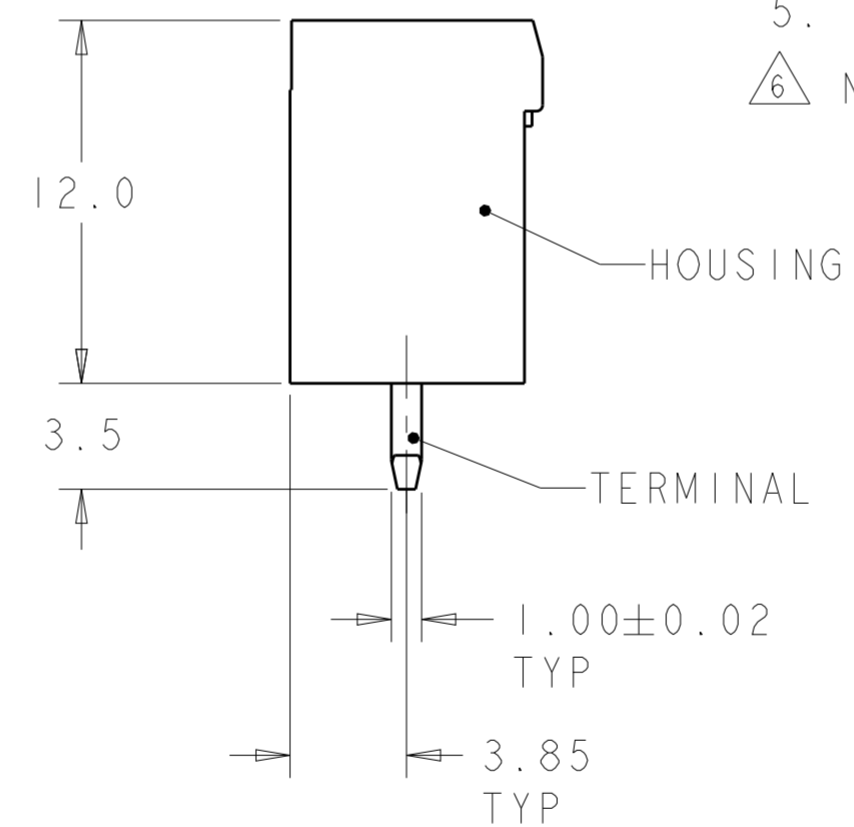
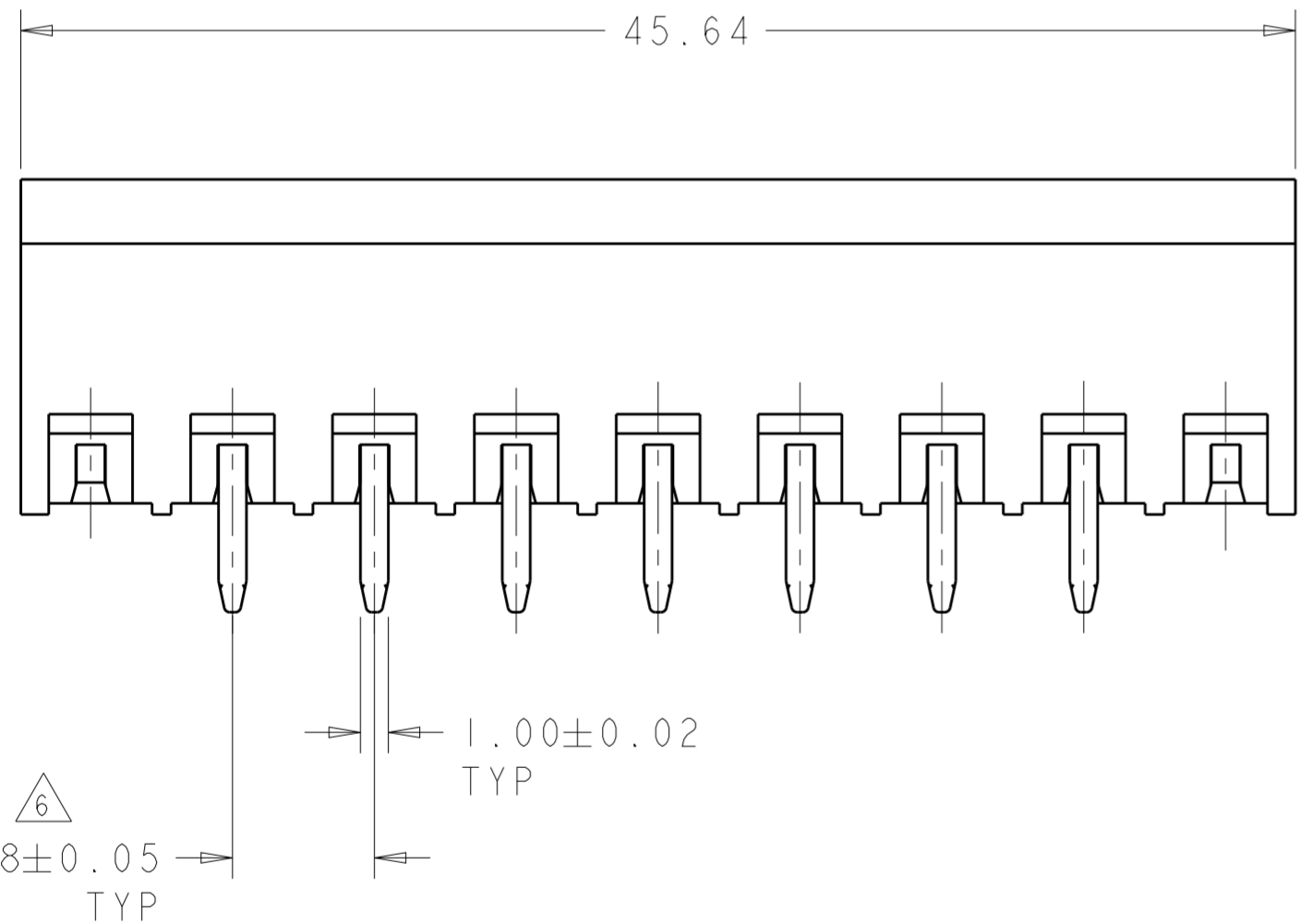
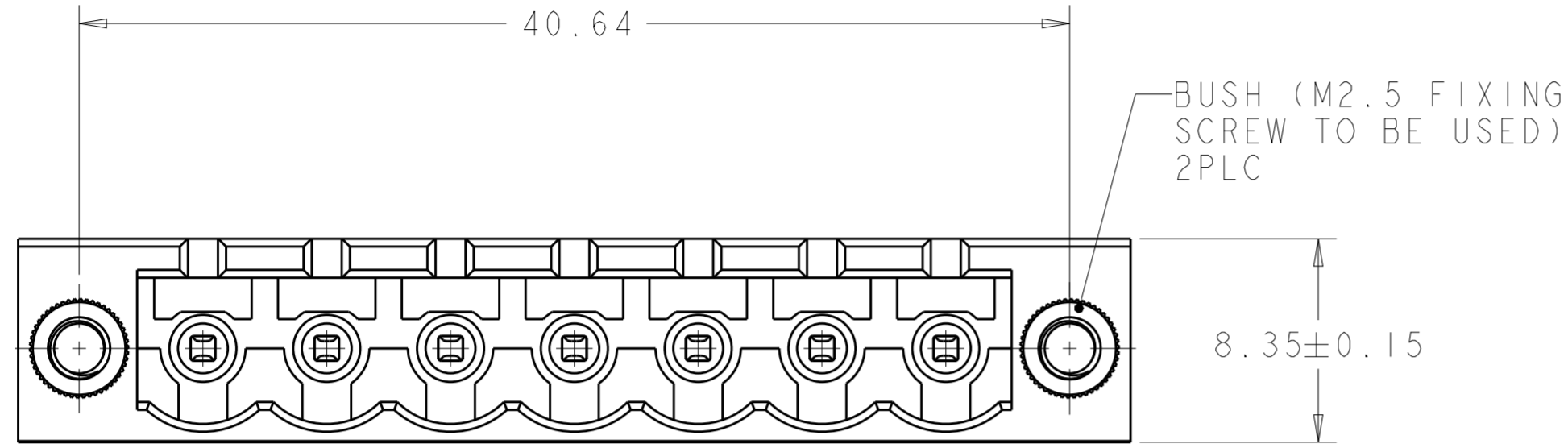


THIS DRAWING IS UNPUBLISHED. RELEASED FOR PUBLICATION 20
 © COPYRIGHT 20 BY - ALL RIGHTS RESERVED.

REVISIONS				
P	LTR	DESCRIPTION	DATE	APVD
	AI	BUSH PART MATERIAL INFORMATION ADDED	09MAY2018	RK PS



RECOMMENDED PC BOARD LAYOUT

NOTES:

- MATERIALS AND FINISH:
 HOUSING: PA 6-6, UL 94V-0, COLOR: GRAY.
 TERMINAL: PHOSPHOR BRONZE, TIN PLATED.
 BUSH : BRASS, NICKEL PLATED
 - MECHANICAL
 MAX. INSERTION FORCE PER POLE : 3.0 N
 MIN. WITHDRAWAL FORCE PER POLE : 1.5 N
 MIN. PC BOARD HOLES DIAMETER : 1.4 mm
 MAX. PC BOARD THICKNESS : 2.4 mm
 - ELECTRICAL
 WIRE RANGE : 12-30 AWG
 MAX. VOLTAGE : 300 V
 MAX CURRENT : 15 A
 CONTACT RESISTANCE : <15 m Ohm
 INSULATION RESISTANCE : >1000 M Ohm (500V DC)
 - RECOGNIZED UNDER THE COMPONENT PROGRAM OF UNDERWRITERS LABORATORIES INC. FILE NO. E60677.
 - OPERATING TEMPERATURE RANGE: -40°C TO +110°C
- △ NOT CUMULATIVE TOLERANCE.

7	1546708-7
NO OF POSN	PART NUMBER

THIS DRAWING IS A CONTROLLED DOCUMENT.		DWN S. WELDON 14JUL2003	TE Connectivity
DIMENSIONS: mm		CHK C. RICHARD 14JUL2003	
TOLERANCES UNLESS OTHERWISE SPECIFIED:		APVD C. RICHARD 14JUL2003	
0 PLC ± 1 PLC ±0.3 2 PLC ±0.25 3 PLC ± 4 PLC ± ANGLES ± FINISH ±		NAME: TERMINAL BLOCK HEADER ASSEMBLY, VERTICAL, WITH LOCKING SCREW, 5.08mm PITCH SIZE: A2 CAGE CODE: 00779 DRAWING NO: C-1546708 RESTRICTED TO: -	
MATERIAL: SEE NOTES	SEE NOTES	WEIGHT: -	CUSTOMER DRAWING SCALE: 4:1 SHEET: 1 OF 1 REV: AI