

THIS DRAWING IS UNPUBLISHED.

RELEASED FOR PUBLICATION

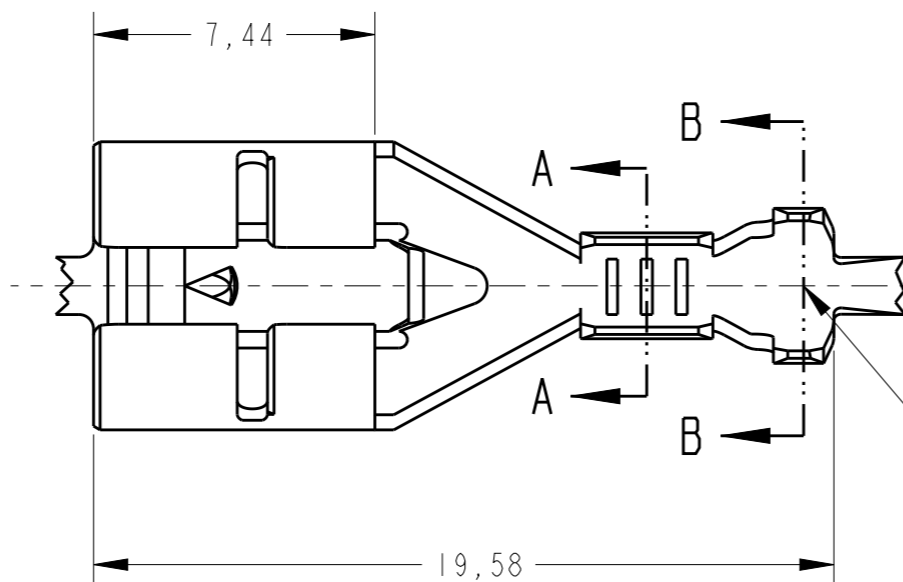
© COPYRIGHT 19 AMP

ALL RIGHTS RESERVED.

LOC AP DIST -

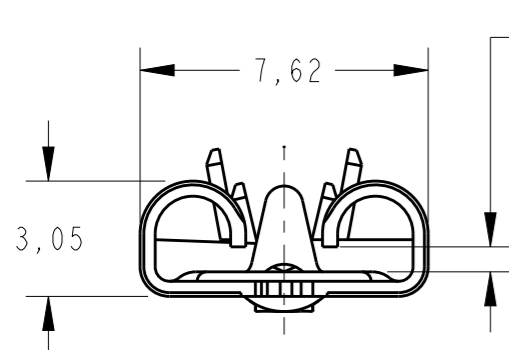
REVISIONS

P	LTR	DESCRIPTION	DATE	DWN	APVD
C1		REV. BY ECO-11-009578	10MAY2011	HC	WLS
C2		REV. BY ECO 16-003728	11MAR2016	HC	WLS

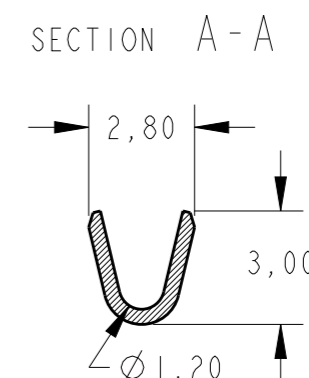
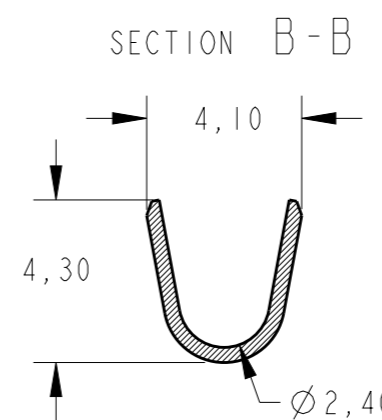
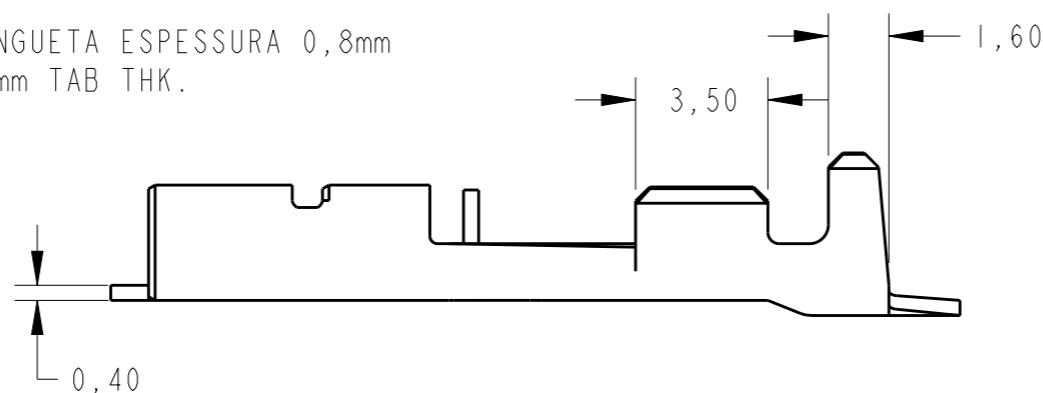


1- WIRE RANGE 0,5/1,0mm²
INSULATION DIA. RANGE Ø2,0/2,7mm.

LOGOTIPO E CODIGO DO PAÍS PRODUTOR
LOGO AND MANUFACTURING COUNTRY CODE.



PARA LINGUETA ESPESSURA 0,8mm
FOR 0,8mm TAB THK.



OBSOLETE	ESTANHADO/TINNED	LATÃO/BRASS	1380088-2
	NU/NONE	LATÃO/BRASS	1380088-1
	FINISH	MATERIAL	PART NUMBER

THIS DRAWING IS A CONTROLLED DOCUMENT.

DWN H.C. CANTERI 09AUG00
CHK W.L. STEFANI 09AUG00
APVD - 09AUG00

STE TE Connectivity

NAME POSITIVE LOCK MKIII, L.I.F.
.250 SERIES RECEPT.

DIMENSIONS: mm
TOLERANCES UNLESS OTHERWISE SPECIFIED:
0 PLC ±
1 PLC ±
2 PLC ±0,25
3 PLC ±
4 PLC ±
ANGLES ±1°
FINISH SEE TABLE

MATERIAL SEE TABLE

PRODUCT SPEC -
APPLICATION SPEC -
WEIGHT -

Customer Drawing

SIZE A3 CAGE CODE 00779 DRAWING NO. C=1380088 RESTRICTED TO -
SCALE 5/1 SHEET 1 OF 1 REV C2