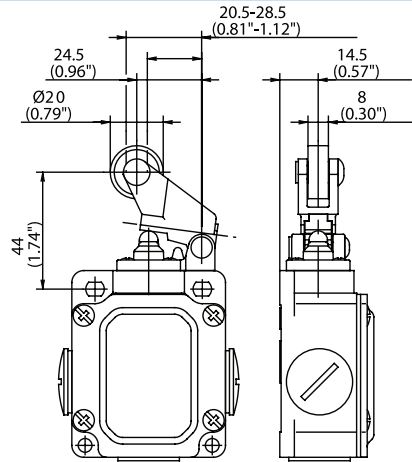


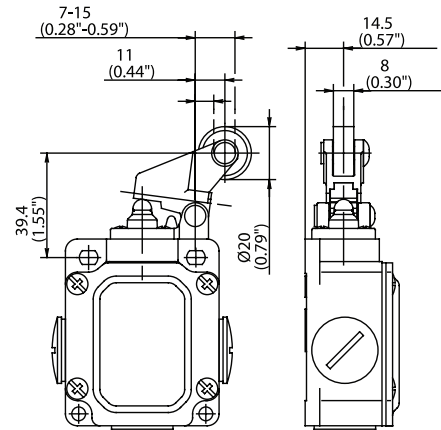
**SN2 Series**



**DGHW**



**DGKW**



Switching Operation	Slow Action	Snap Action	Slow Action	Snap Action
<b>1 NC / 1 NO Contacts</b>	<b>603.3121.005</b> SN2-U1Z DGHW 	<b>603.3371.004</b> SN2-SU1Z DGHW 	<b>603.3127.010</b> SN2-U1Z DGKW 	<b>603.3377.011</b> SN2-SU1Z DGKW 
<b>2 NC Contacts</b>	-	-	-	-
<b>2 NO Contacts</b>	-	-	-	-
<b>1 NC / 1 NO Contacts Overlapping</b>	-	-	-	-

**Replacement actuator:** **391.8211.656** (for DGHW) / **391.8271.655** (for DGKW)

Technical Information	Slow Action	Snap Action	Slow Action	Snap Action
Maximum Switching Voltage	240V	240V	240V	240V
Max. Switching Amps (up to)*	10A	10A	10A	10A
B10d (up to)*	20 Million	20 Million	20 Million	20 Million
Mechanical Service Life (up to)*	10 x 10 <sup>6</sup>	10 x 10 <sup>6</sup>	10 x 10 <sup>6</sup>	10 x 10 <sup>6</sup>
Switching Frequency	≤ 100/min	≤ 100/min	≤ 100/min	≤ 100/min
Operating Temperature	-30 °C to +80 °C	-30 °C to +80 °C	-30 °C to +80 °C	-30 °C to +80 °C
Protection Rating	IP65	IP65	IP65	IP65
Utilization Category (up to)*	AC-15, Ue/Ue 240V 3A	AC-15, Ue/Ue 240V 3A	AC-15, Ue/Ue 240V 3A	AC-15, Ue/Ue 240V 3A
Rate Insulation Voltage	400VAC	400VAC	400VAC	400VAC

Approvals \* Depending on switching system - see technical information for details

- Special features/variants** (on request)
- Telescopic plunger, very long actuation travel of 9 mm

*Drawing dimensions in mm*