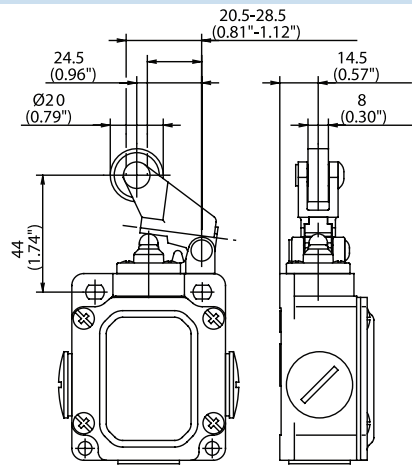


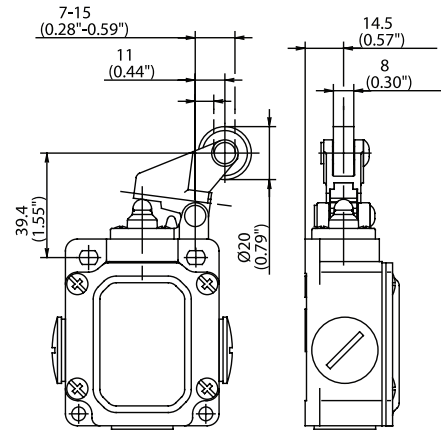
SN2 Series



DGHW



DGKW



Switching Operation	Slow Action	Snap Action	Slow Action	Snap Action
1 NC / 1 NO Contacts	603.3121.005 SN2-U1Z DGHW 	603.3371.004 SN2-SU1Z DGHW 	603.3127.010 SN2-U1Z DGKW 	603.3377.011 SN2-SU1Z DGKW
2 NC Contacts	-	-	-	-
2 NO Contacts	-	-	-	-
1 NC / 1 NO Contacts Overlapping	-	-	-	-

Replacement actuator:	391.8211.656		391.8271.655	
	Slow Action	Snap Action	Slow Action	Snap Action
Maximum Switching Voltage	240V	240V	240V	240V
Max. Switching Amps (up to)*	10A	10A	10A	10A
B10d (up to)*	20 Million	20 Million	20 Million	20 Million
Mechanical Service Life (up to)*	10 x 10 ⁶	10 x 10 ⁶	10 x 10 ⁶	10 x 10 ⁶
Switching Frequency	≤ 100/min	≤ 100/min	≤ 100/min	≤ 100/min
Operating Temperature	-30 °C to +80 °C	-30 °C to +80 °C	-30 °C to +80 °C	-30 °C to +80 °C
Protection Rating	IP65	IP65	IP65	IP65
Utilization Category (up to)*	AC-15, Ue/Ue 240V 3A	AC-15, Ue/Ue 240V 3A	AC-15, Ue/Ue 240V 3A	AC-15, Ue/Ue 240V 3A
Rate Insulation Voltage	400VAC	400VAC	400VAC	400VAC

Approvals

* Depending on switching system - see technical information for details

Special features/variants (on request)

- Telescopic plunger, very long actuation travel of 9 mm