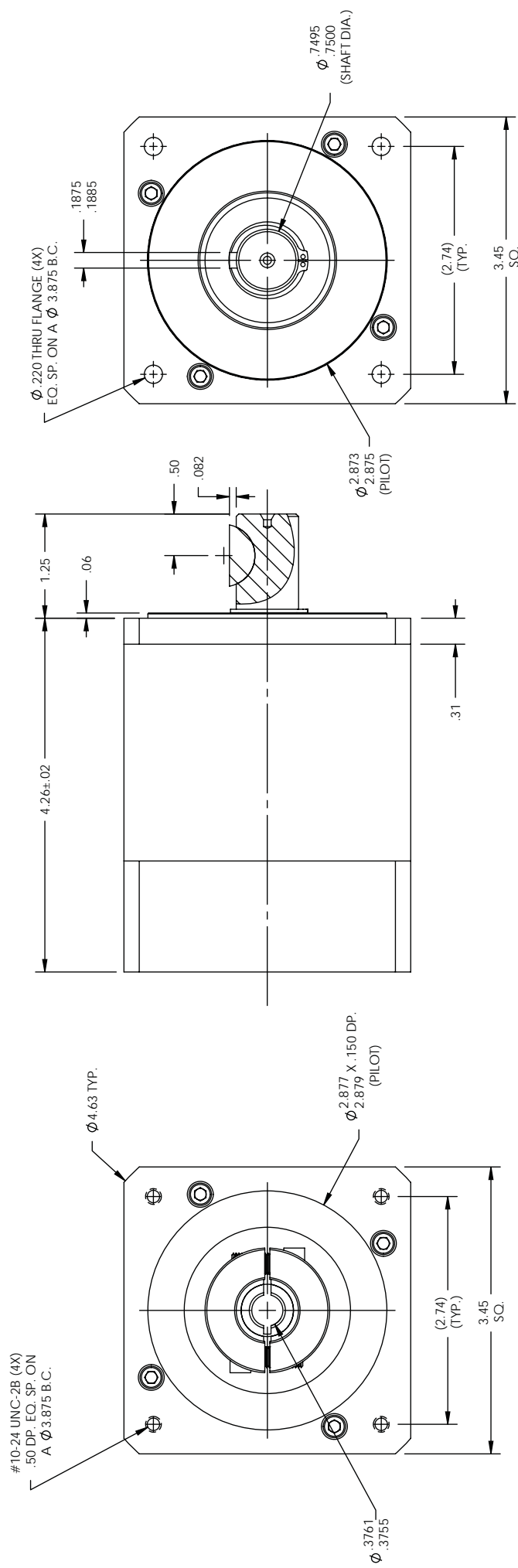


REVISIONS			
REV	DESCRIPTION	DATE	APPROVED
A	INITIAL RELEASE ECO 6781	7/2/2013	J KORDIK



NOTES: UNLESS OTHERWISE SPECIFIED

- #606 WOODRUFF KEY
- RATIO: 25:1
- FOR TECHNICAL DETAILS, CONTACT APPLIED MOTION PRODUCTS.

TOLERANCES		THIRD ANGLE PROJECTION	
DECIMALS: [MM] INCH			
X.XXX = ± .005		APPROVALS	DATE
X.XX = ± [0.13] .010		<i>R. JONES</i>	2/22/13
X.X = ± [0.25] .020		CHECKED	
ANGLES:		APPROVED	
MACH. = ±.5°			
CHAM. = ±5°			
COMPUTER DATA			
BASE DRAWING			

GEAR HEAD - DRAWING	
DWG NO.	034VL025
REV	A
SCALE: FULL	SHEET 1 OF 1