

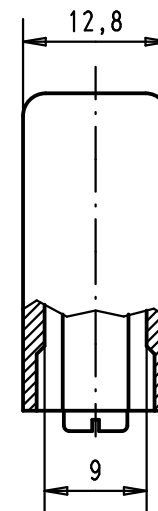
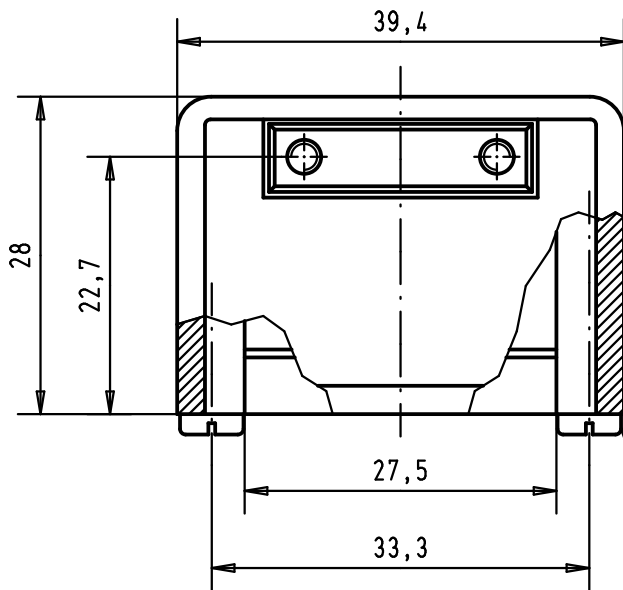
5

4

3

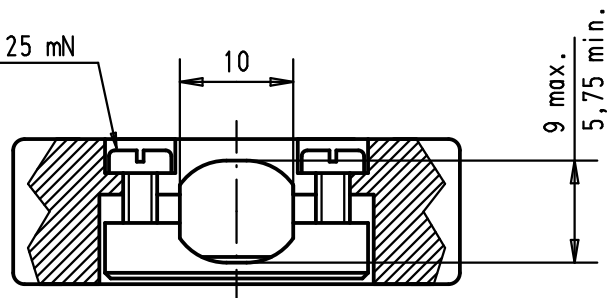
2

1



Slotted pan head tapping screws
DIN 7971-ST 2,9x6,5-F
screwing torque=35Ncm +/-5Ncm

Slotted pan head tapping screws
DIN 7971-ST 2,2x9,5-F
Maximum screwing torque=0,25 mN




D

C

B

A

					Dat.	Name	 <p>All Dim. in mm Orig. Size DIN A 4</p>	D-Sub, Hood 15 poles, for spring or slide locking, top cable entry	Maßstab/ Scale 1.5:1	
					Detail.	28-MAR-02				CV
					Insp.	25-MAY-11				JMDV
					Stand.					
09 67 015 0413	Thermoplastic metallized	EC03223	25-MAY-11	SD	HARTING EURL F-95972 Paris			TB 0967015041x	Blatt/ Page 1/	
09 67 015 0411	Thermoplastic grey RAL 7032	29760	28-MAR-02	CV						
Part number	Material	Mod.	Dat.	Name						
								Sub.		

