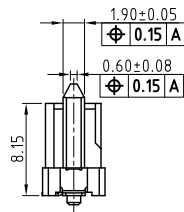
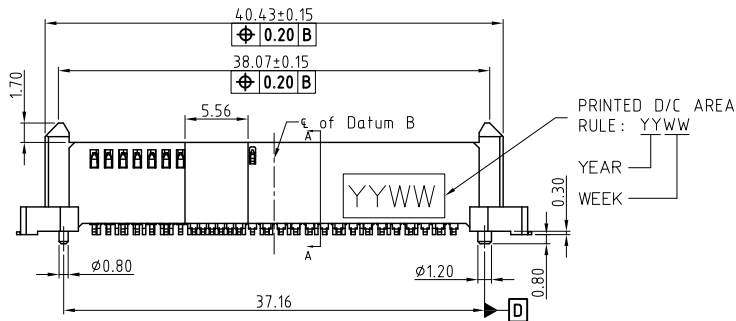
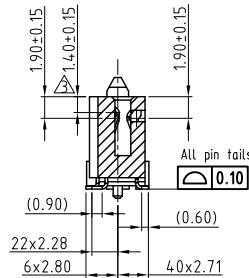
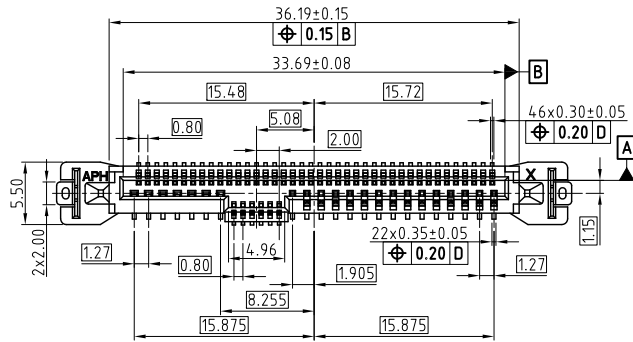
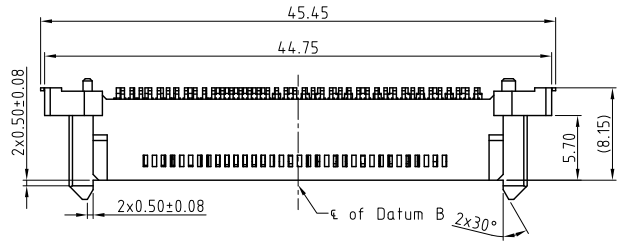


This document is the property of Amphenol Corporation and is delivered on the express condition that it is not to be disclosed, reproduced or used, in whole or in part, for manufacture or sale by anyone other than Amphenol Corporation without its prior consent, & that no right is granted to disclose or to use any information in this document.

CUSTOMER DRAWING

REVISIONS

SYM	ECN	DESCRIPTION	DATE	APPROVED
1	N/A	FIRST RELEASE	08/10/18	IP
2	N/A	MODIFY PCB FOOTPRINT LENGTH	09/03/18	IP
3	N/A	UPDATE DESIGN	10/12/18	IP
4	N/A	ADDED PACKING SPEC;MODIFIED CONTACTS LEG LENGTH	12/18/18	IP
5	N/A	ADDED PACKING STYLE BY CUSTOMER'S REQUEST	01/25/19	IP
6	N/A	MODIFY PCB DIMENSIONING BY CUSTOMER'S REQUEST	02/18/19	IP
7	N/A	MODIFY PCB DIMENSIONING BY CUSTOMER'S REQUEST	02/27/19	IP



NOTES

- MATERIAL
 - HOUSING: HIGH TEMPERATURE THERMOPLASTIC, UL94V-0, COLOR:BLACK.
 - CONTACTS : PHOSPHOR BRONZE
PLATING: REFER TO P/N SYSTEM ON MATING AREA.
1.27um MIN NICKEL UNDER PLATED OVERALL.
2.54um MIN PURE MATTE TIN ON SOLDER TAILS.
 - SOLDER CLIPS: COPPER ALLOY
2.54um MIN PURE MATTE TIN OVER 1.27um MIN NICKEL.
- GENERAL SPECIFICATION
 - CURRENT RATING: 1.5A/PER PIN (POWER SECTION).
 - CONTACT RESISTANCE: 30mΩ MAX (INITIAL).
 - INSULATOR RESISTANCE: 1000MΩ MIN.
 - DIELECTRIC WITHSTANDING VOLTAGE: 500 VAC
 - OPERATION TEMPERATURE: -40°C~+85°C

MATING AREA PLATING: 1- 0.76um MIN Au. 2- 0.38um MIN Au. 3- Gold FLASH

PACKING STYLE: NIL- TRAY WITHOUT PICK-UP CAP, C- TRAY WITH PICK-UP CAP, TR- TAPE AND REEL WITH PICK-UP CAP, NT- TAPE AND REEL WITHOUT PICK-UP CAP

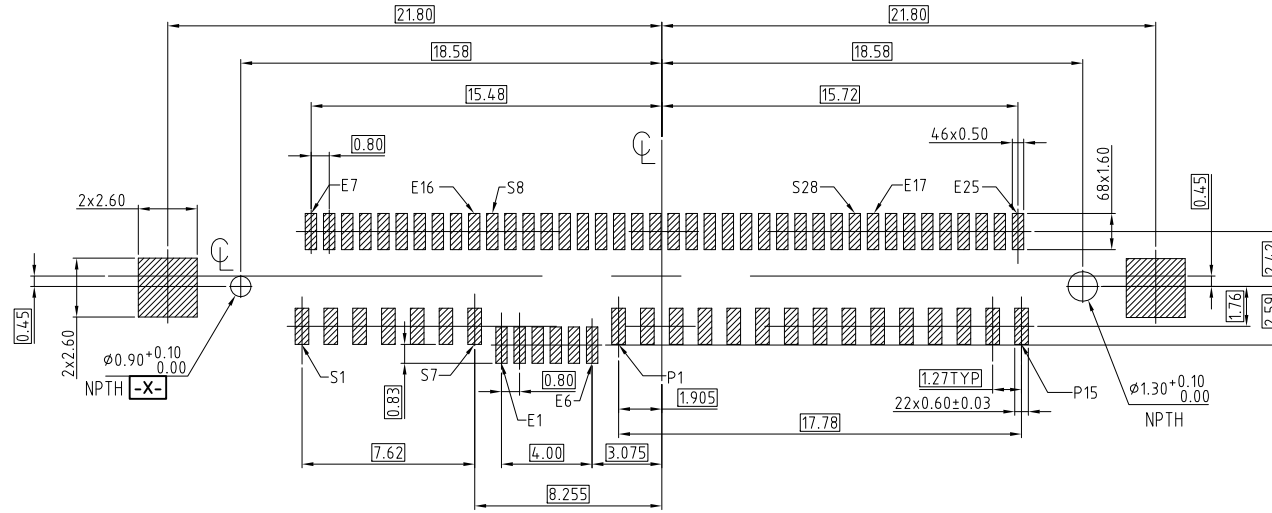


UNLESS OTHERWISE SPECIFIED TOLERANCES U.S. METRIC .X +/- 0.50 .XX +/- 0.25 .XXX +/- 0.15 FRACTIONS +/- ANGLES +/- 3°	APPROVAL	DATE	Amphenol Amphenol East Asia Limited
	DRAWN Jackie.Tan	02/27/19	
	CHECKED Xiang.Wang	02/27/19	
	CHECKED		
FOR MATERIALS AND FINISHES SEE NOTES	DRAWING FILE : DRAWING\PSAS\PSAS\PSAS4F313007XXX-7		TITLE PCIe/SAS VERTICAL SMT 68PIN SOCKET
REMOVE SHARP EDGES	ANGLE OF PROJECTION		SIZE DRAWING NO. A3 PSAS4F313007XXX
DIMENSIONS			REV. 7
U.S. (METRIC)	INCHES (MM)		SCALE NONE SHEET 1 OF 3

This document is the property of Amphenol Corporation and is delivered on the express condition that it is not to be disclosed, reproduced or used, in whole or in part, for manufacture or sale by anyone other than Amphenol Corporation without its prior consent, & that no right is granted to disclose or to use any information in this document.

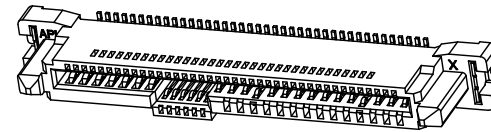
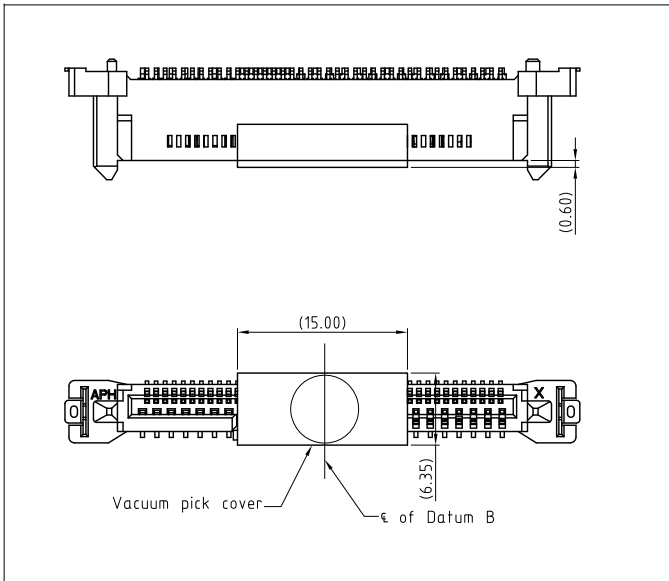
CUSTOMER DRAWING

REVISIONS				
SYM	ECN	DESCRIPTION	DATE	APPROVED
		REFER TO SHEET 1		



With Pick-up Cover

RECOMMENDED PCB LAYOUT
GENERAL TOLERANCE ±0.05



UNLESS OTHERWISE SPECIFIED TOLERANCES		APPROVAL	DATE	Amphenol Amphenol East Asia Limited
.X	+/- 0.50	DRAWN	Jackie.Tan 02/27/19	
.XX	+/- 0.25	CHECKED	Xiang.Wang 02/27/19	
.XXX	+/- 0.15	CHECKED		
FRACTIONS	+/-	DRAWING FILE :		
ANGLES +/-	3°	DRAWING\PSAS\PSAS\PSAS\F313007XXX-7		
FOR MATERIALS AND FINISHES SEE NOTES		ANGLE OF PROJECTION		TITLE
REMOVE SHARP EDGES				PCIE/SAS VERTICAL SMT 68PIN SOCKET
DIMENSIONS		SIZE DRAWING NO.		REV.
U.S. (METRIC)	INCHES (MM)	A3	PSAS4F313007XXX	7
		SCALE	NONE	SHEET 2 OF 3

This document is the property of Amphenol Corporation and is delivered on the express condition that it is not to be disclosed, reproduced or used, in whole or in part, for manufacture or sale by anyone other than Amphenol Corporation without its prior consent, & that no right is granted to disclose or to use any information in this document.

CUSTOMER DRAWING

REVISIONS				
SYM	ECN	DESCRIPTION	DATE	APPROVED
REFER TO SHEET 1				

D

D



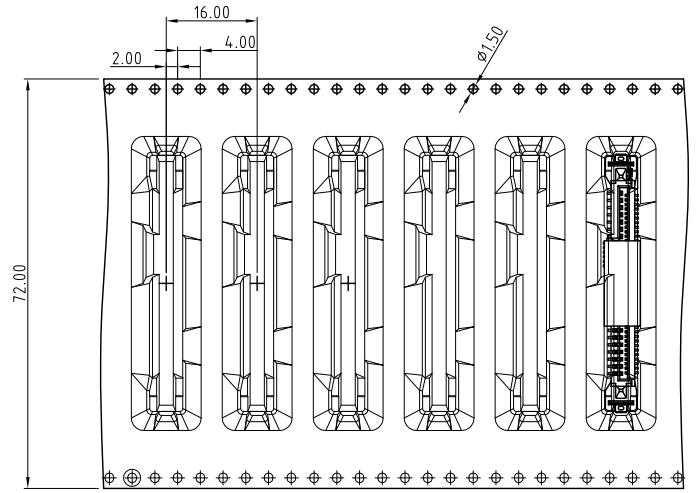
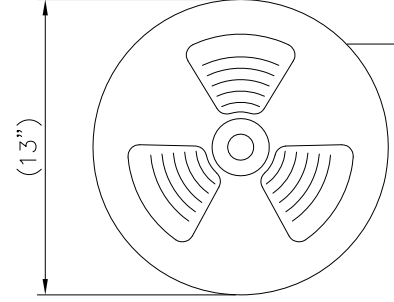
USER'S FEEDING DIRECTION

PACKING DIRECTION

CUSTOMER'S FEEDING DIRECTION

C

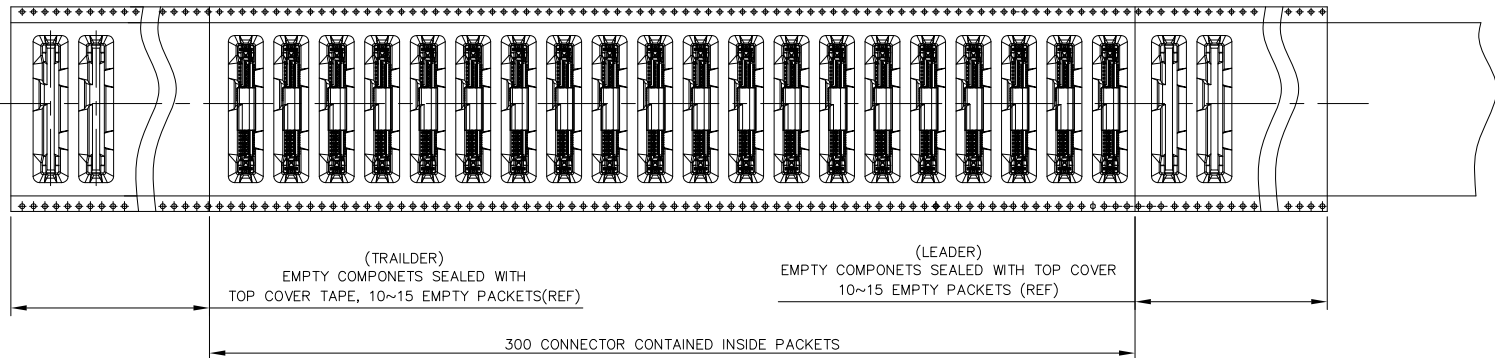
C



DETAIL A
SCALE 2:1

B

B



A

A



UNLESS OTHERWISE SPECIFIED TOLERANCES U.S. METRIC .X +/- 0.50 .XX +/- 0.25 .XXX +/- 0.20 FRACTIONS +/- 3" ANGLES +/- FOR MATERIALS AND FINISHES REMOVE SHARP EDGES DIMENSIONS U.S. INCHES (METRIC) (MM)	APPROVAL DRAWN Jackie Tan 02/27/19 CHECKED Kiang Wang 02/27/19 CHECKED	DATE 02/27/19 02/27/19	Amphenol Amphenol East Asia Limited TITLE PCIe/SAS VERTICAL SMT 68PIN SOCKET
	DRAWING FILE : DRAWING\PSAS\PSAS\PSAS4F313007XXX-7		
	ANGLE OF PROJECTION 		
	SIZE A3	DRAWING NO. PSAS4F313007XXX	
SCALE NONE		SHEET 3 OF 3	

4

3

2

1