

**RACON 12 - Tactile switch SMT gullwing (Z) terminals****1.14.001.503/0000**

For keycaps, refer to RK 90.

**Dimensions**

Length of housing	12 mm
Width of housing	12 mm
Overall height	4,95 <sup>±0,1</sup> mm

**Mechanical design**

Mounting	soldering
Terminals	SMT Gullwing (Z)
Contact system	snap-action contact
Contact arrangement	1 NO
Contact materials	Au
Illumination	no

**Mechanical characteristics**

Operating force	3.6 <sup>±0,7</sup> N
Switching travel	0.61 <sup>±0,1</sup> mm

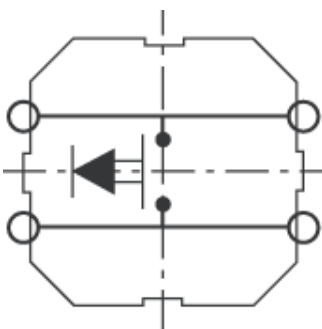
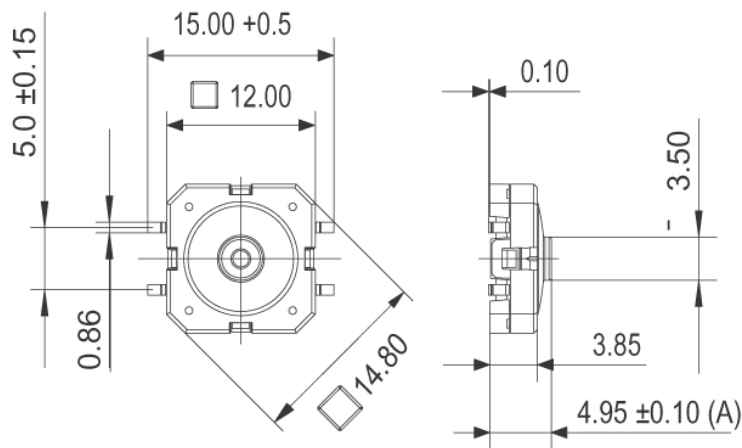
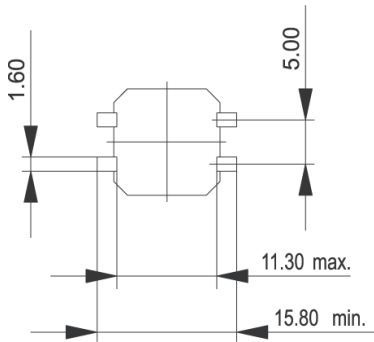
**Electrical characteristics**

Rated voltage min.	0.02 V
Rated voltage max.	35 V
Rated current min.	0.01 mA
Rated current max.	100 mA
Rated power max. (ohmic load)	1 W
Contact resistance when new max.	100 mΩ
Insulation resistance	10 <sup>9</sup> Ω

**Other specifications**

Ambient temp. operating min.	-40 °C
Ambient temp. operating max.	+90 °C
Resistance to environment	DIN EN 60068-2 -14,-30,-33 and -78
Operating life	1,000,000 cycle
Solderability / Solder heat resistance	DIN EN 60068-2-58
Flammability of materials	UL 94 HB
Packing	tape and reel à 750 pieces
Produkt code	C1
ROHS compliant	yes
REACH compliant	yes

PCB footprint, view on component side



Technical data are approximate and intended solely for general orientation in the selection of a product. Subject to modifications and errors. Images and other graphics may only be similar. For more information, refer to [www.rafi.de](http://www.rafi.de) chapter Imprint / Data Protection.

