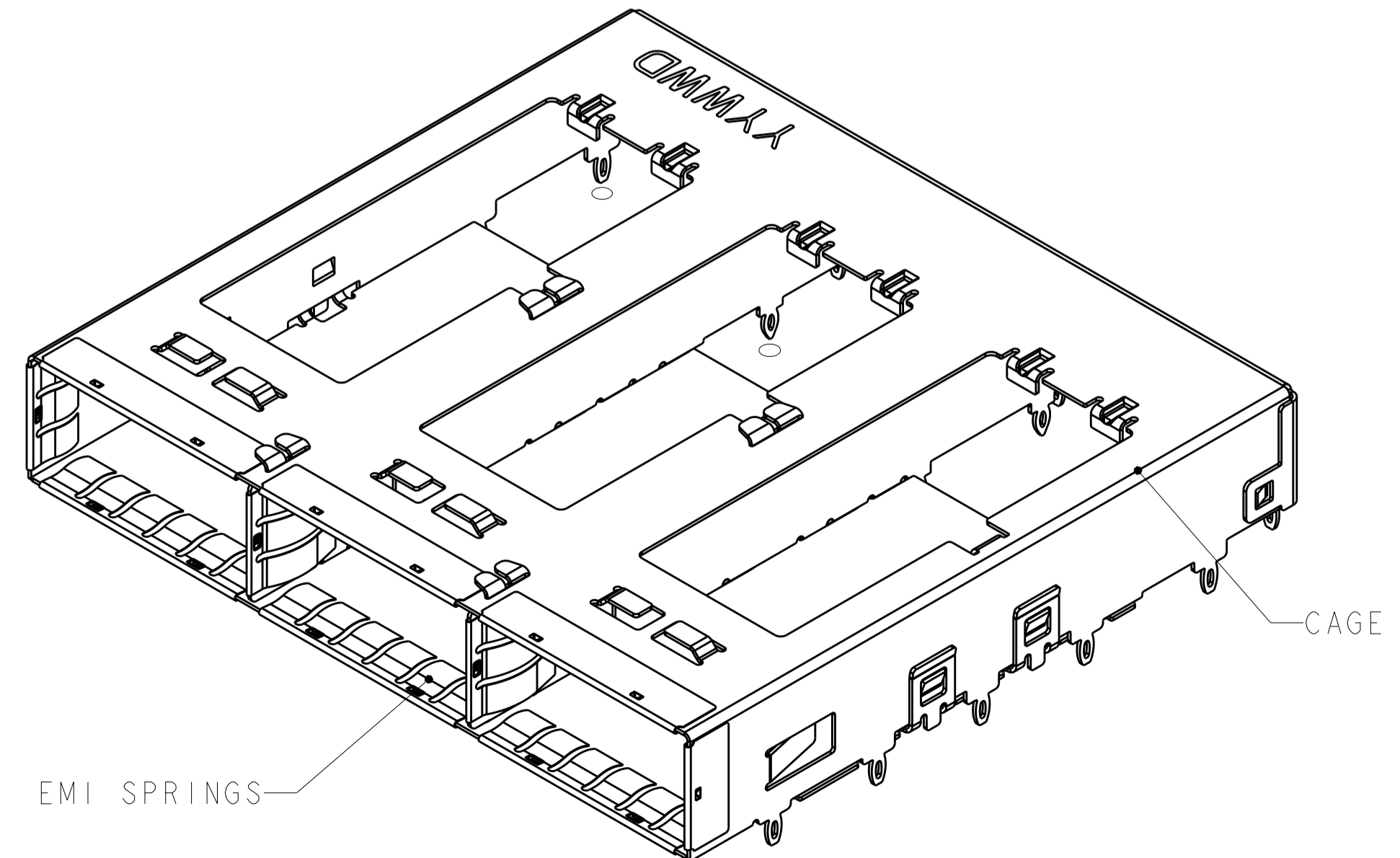
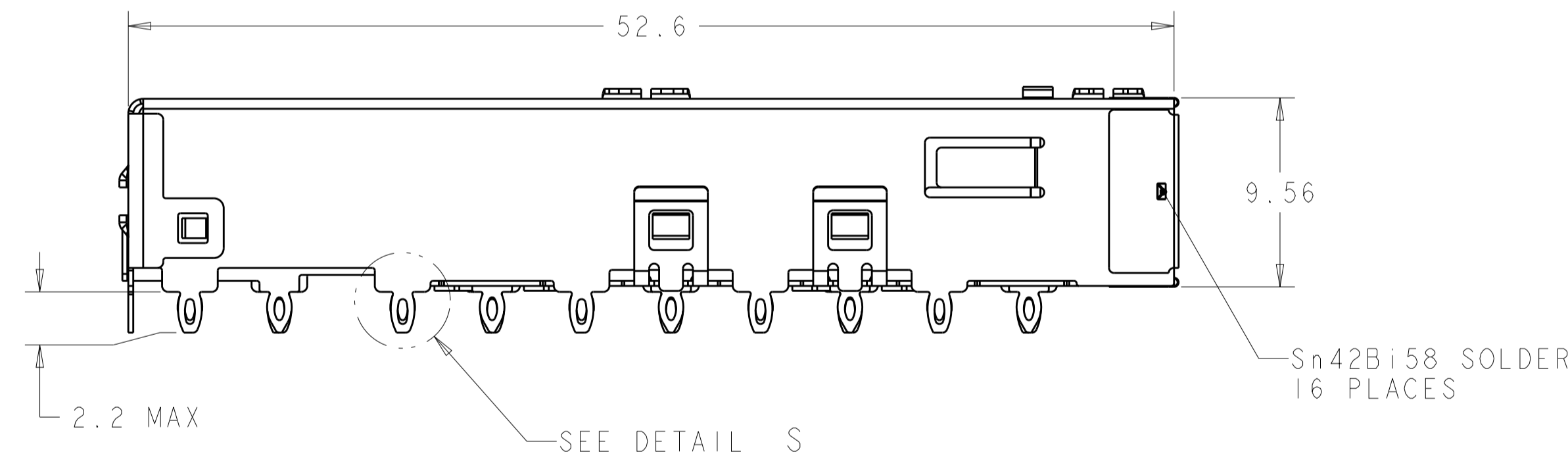
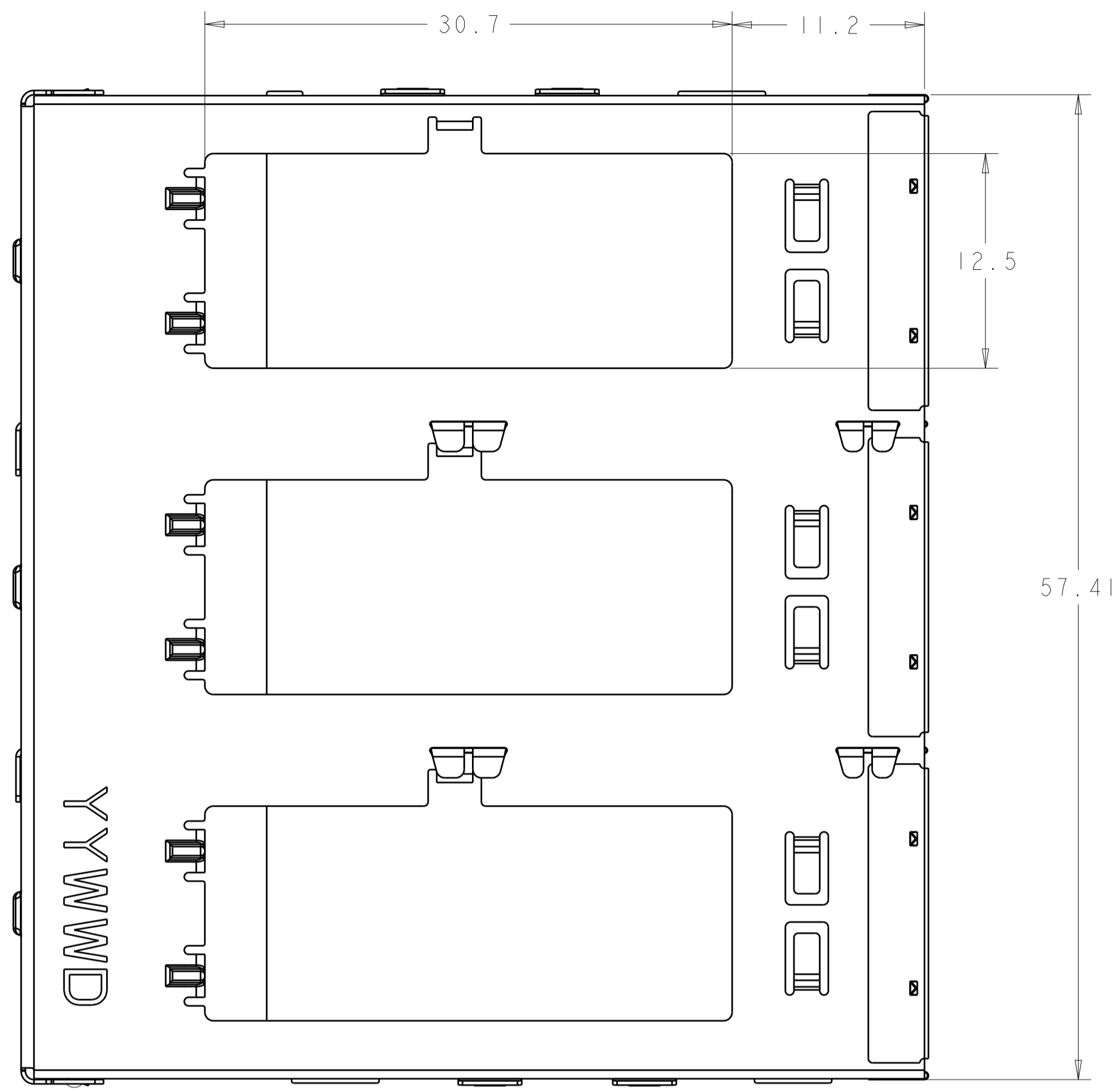
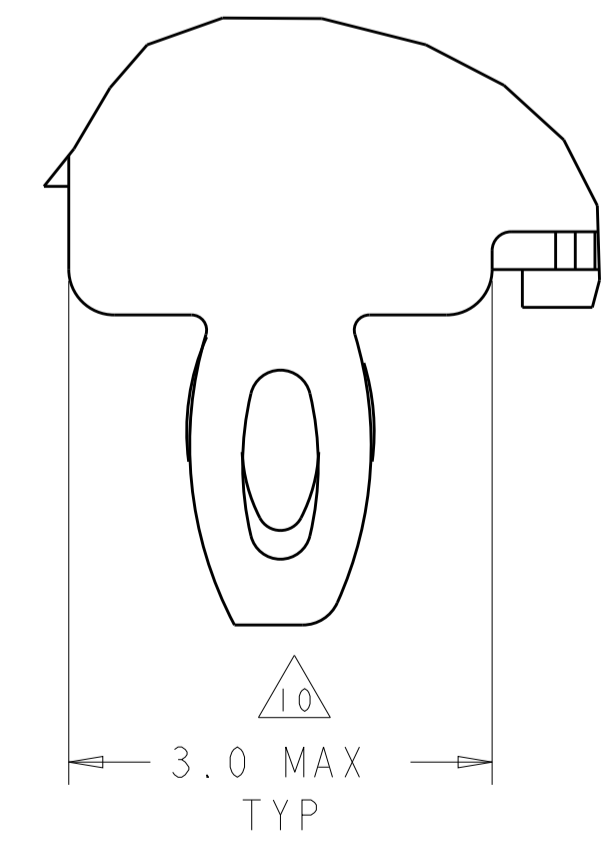
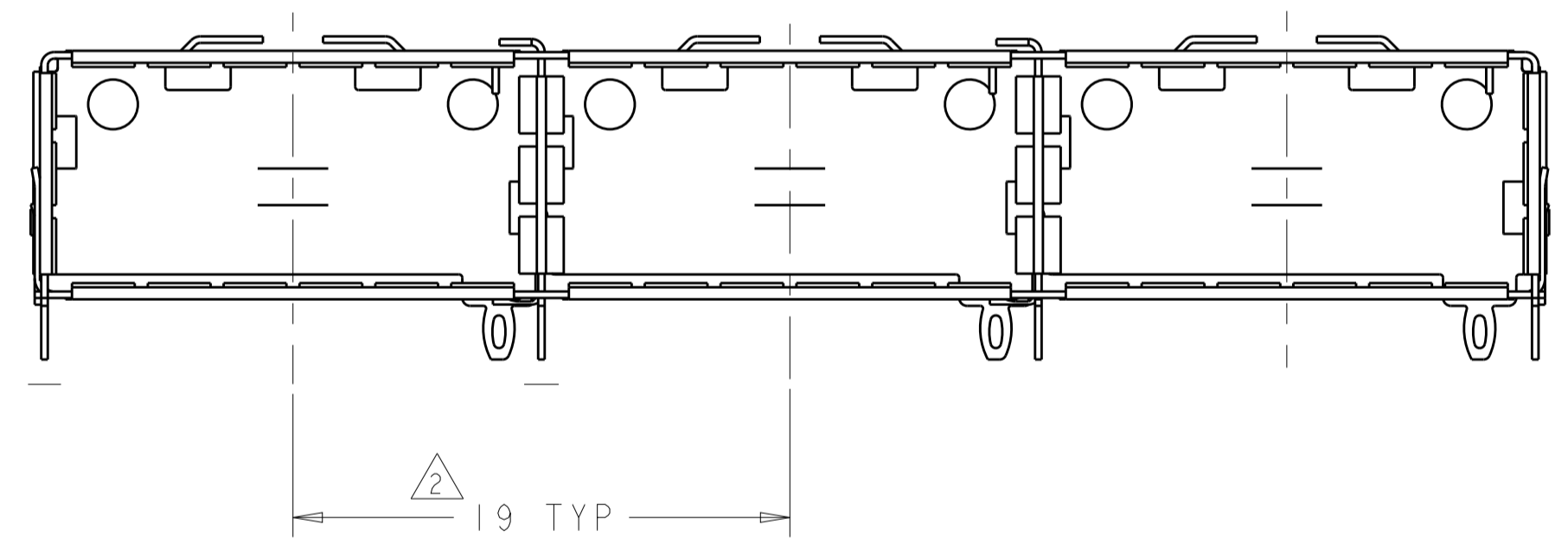


LOC		DIST		REVISONS			
GP	00	P	LTN	DESCRIPTION	DATE	DWN	APVD
		A		INITIAL RELEASE	31JAN2013	JY	AC



- 1 MATERIALS:
 CAGE ASSEMBLY: NICKEL SILVER, 0.25 THICK
 EMI SPRINGS: COPPER ALLOY
- 2 PITCH BETWEEN PORTS OF ONE 1X3 CAGE ASSEMBLY.
- 3 SPACING BETWEEN CAGES ON THE SAME PC BOARD, TO BE SPECIFIED BY CUSTOMER, MUST COMPLY WITH MINIMUM DIMENSIONS SHOWN.
- 4 REFERENCE APPLICATION SPEC 114-13218 FOR RECOMMENDED DRILL HOLE DIAMETER AND PLATING THICKNESS.
- 5 DATUMS AND BASIC DIMENSIONS ESTABLISHED BY CUSTOMER.
- 6 DIMENSION C IS THE NOMINAL THICKNESS OF CUSTOMER SUPPLIED PC BOARD.
 MINIMUM SINGLE SIDED PC BOARD THICKNESS: 1.45mm
 MINIMUM DOUBLE SIDED PC BOARD THICKNESS: 2.2mm PER QSFP
- 7 DATUM -A- IS TOP SURFACE OF PC BOARD.
- 8 UNPLATED THRU HOLE.
- 9. MATES WITH QSFP MSA COMPATIBLE TRANSCEIVER.
- 10 SURFACE TRACES PERMITTED WITHIN THIS AREA EXCEPT WHERE CAGE STANDOFFS, SHOWN IN DETAIL S, CONTACT PC BOARD.
- 11 BASELINE FOR THESE DIMENSIONS IS THE CENTER OF COMPLIANT PIN HOLE.
- 12 DATE CODE (YYWWD) MARKED ON TOP OF CAGE.
- 13 FINISH:
 EMI SPRINGS: 2µm MINIMUM TIN

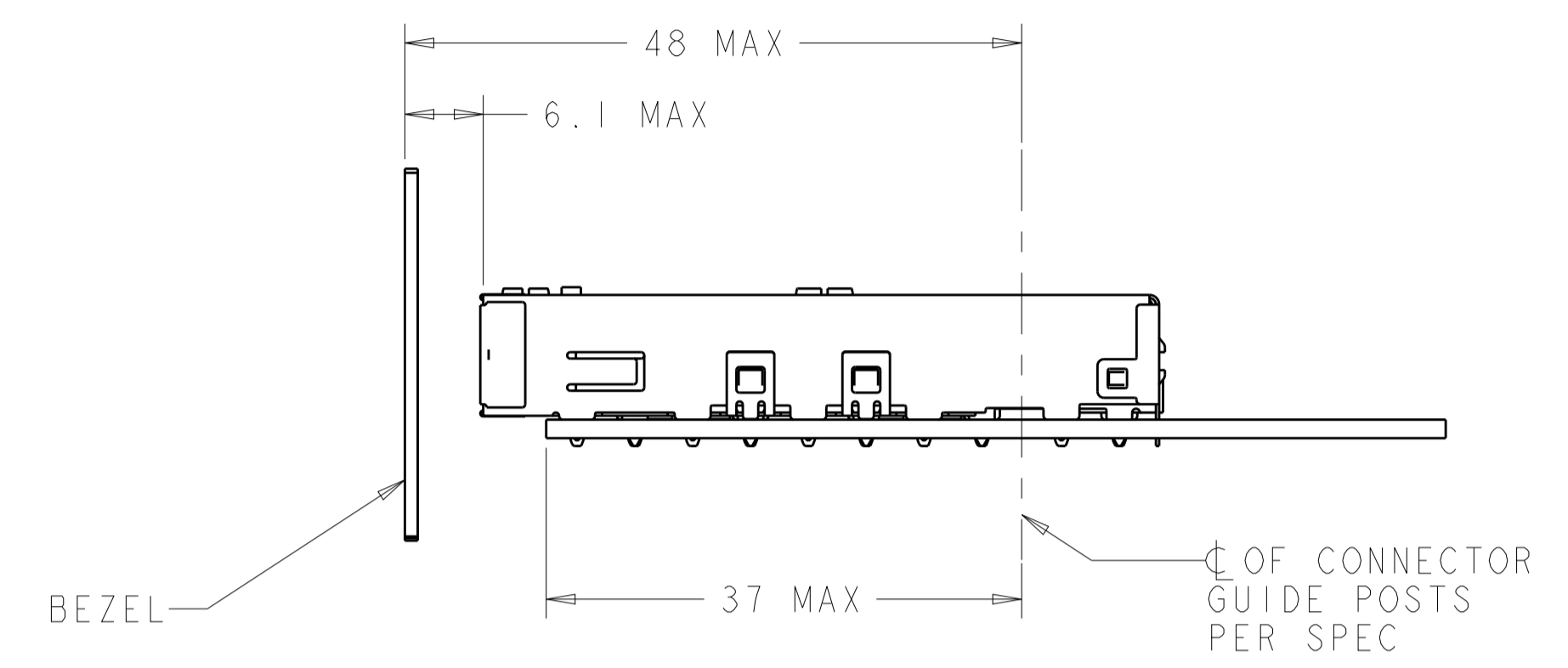
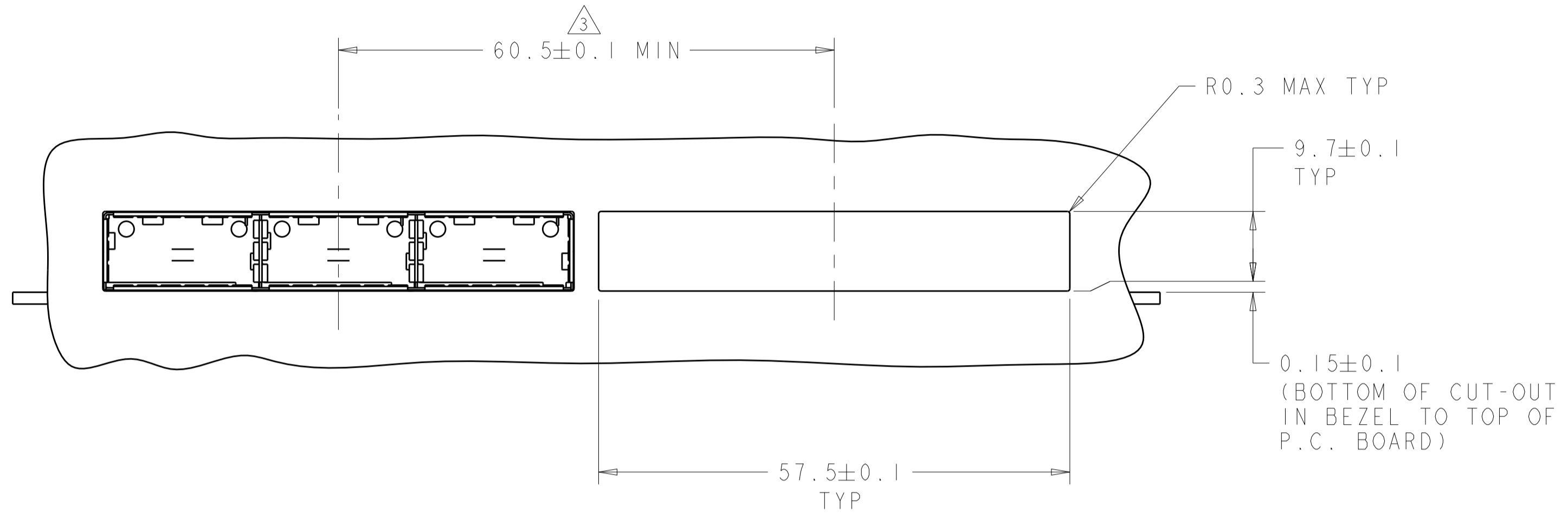


DETAIL S
 SCALE 20:1

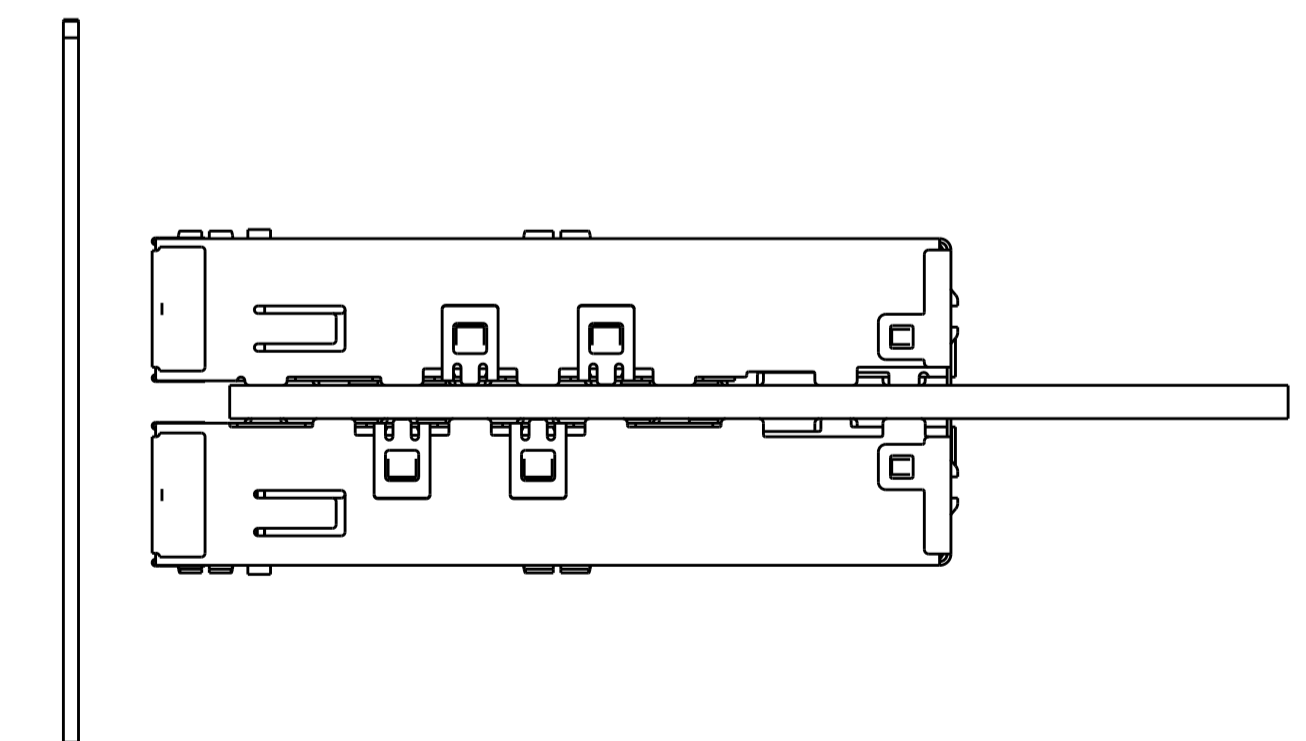
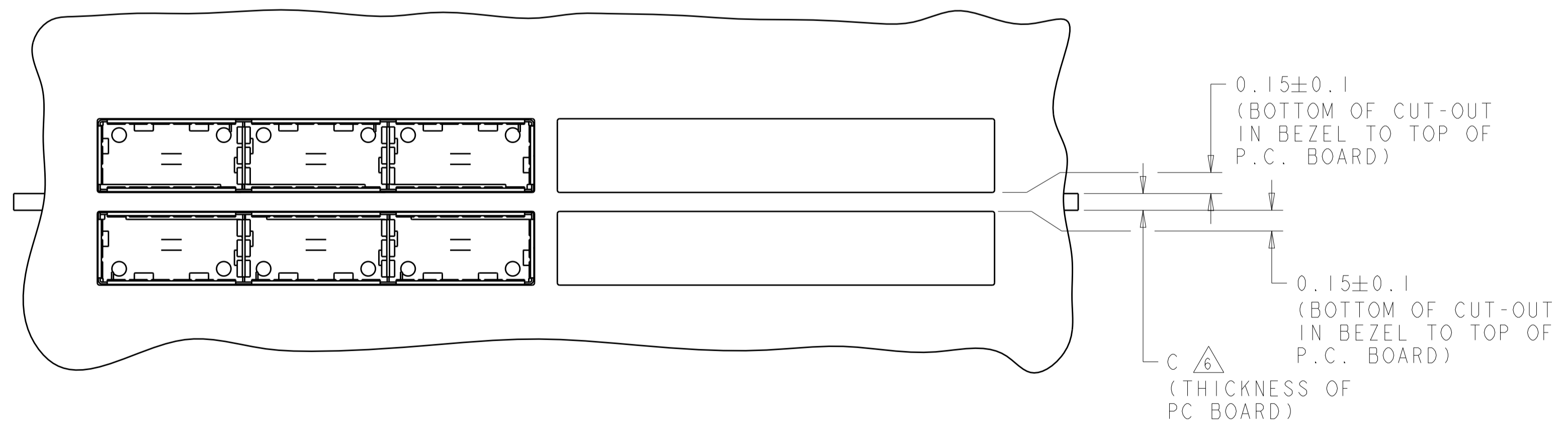
2170400-1
 PART NUMBER

THIS DRAWING IS A CONTROLLED DOCUMENT.		DWN: JASON YANG 22AUG2012	TE Connectivity	
DIMENSIONS:		CHK: ALEX CAI 22AUG2012		
TOLERANCES UNLESS OTHERWISE SPECIFIED:		APVD: ALEX CAI 22AUG2012	NAME: 1X3 QSFP, CAGE ASSEMBLY, W/O FLANGE	
mm	0 PLC ±	PRODUCT SPEC	SIZE: CAGE CODE DRAWING NO	
	1 PLC ±0.25	108-2286	RESTRICTED TO	
	2 PLC ±0.15	APPLICATION SPEC	A100779C=2170400	
	3 PLC ±	114-13218	SCALE 2:1 SHEET 1 OF 4 REV A	
	4 PLC ±	WEIGHT	Customer Drawing	
	ANGLES ±			
MATERIAL	FINISH			

LOC	DIST	REVISIONS					
GP	00	P.	LTN	DESCRIPTION	DATE	DWN	APVD
		-		SEE SHEET 1	-	-	-



ONE SIDED CONFIGURATION
SCALE 2:1

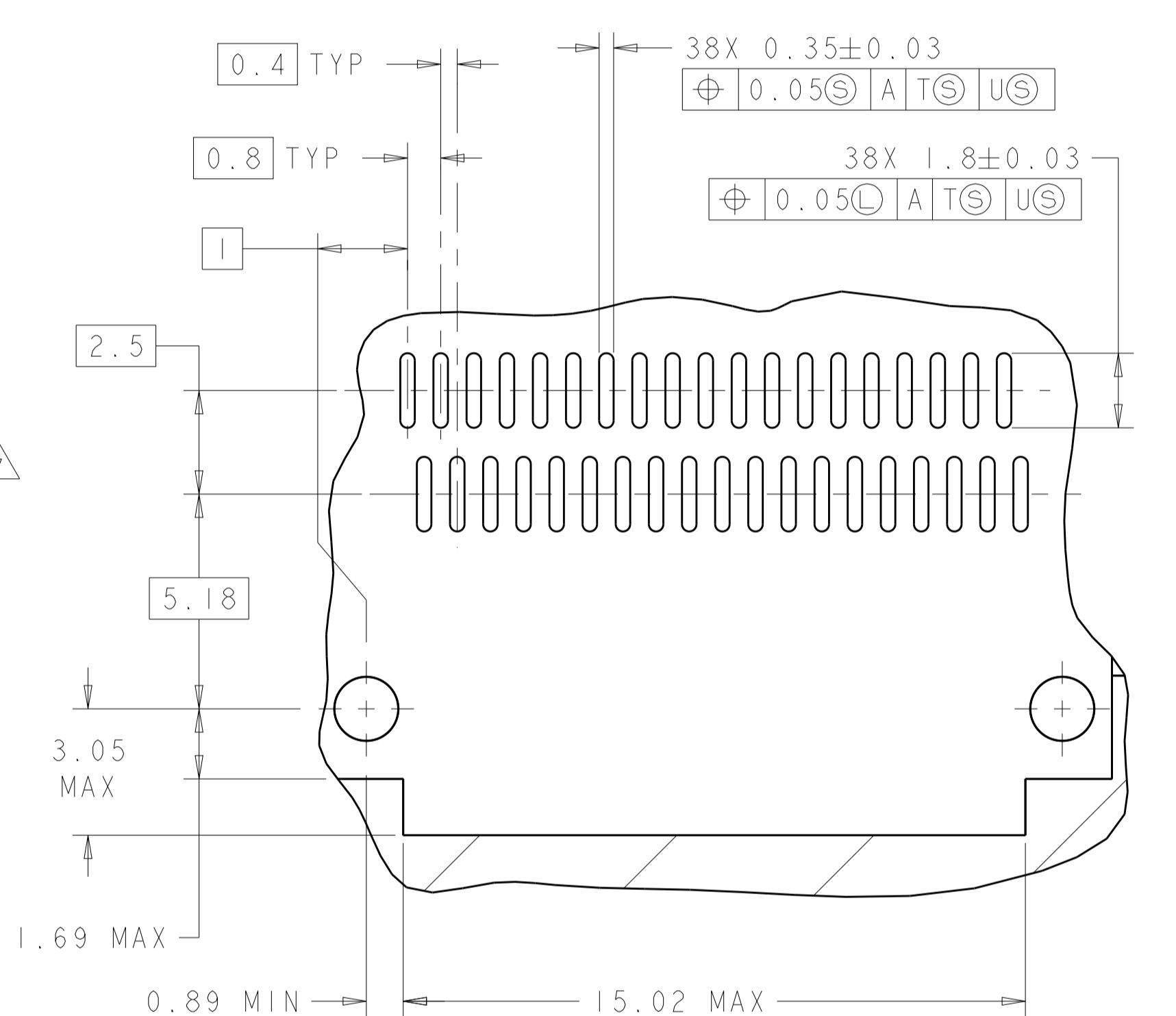
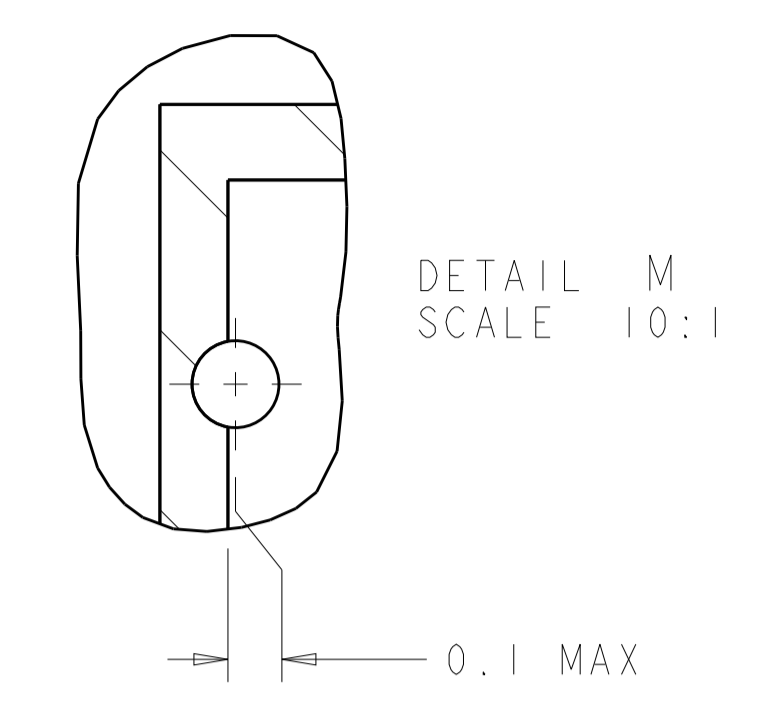
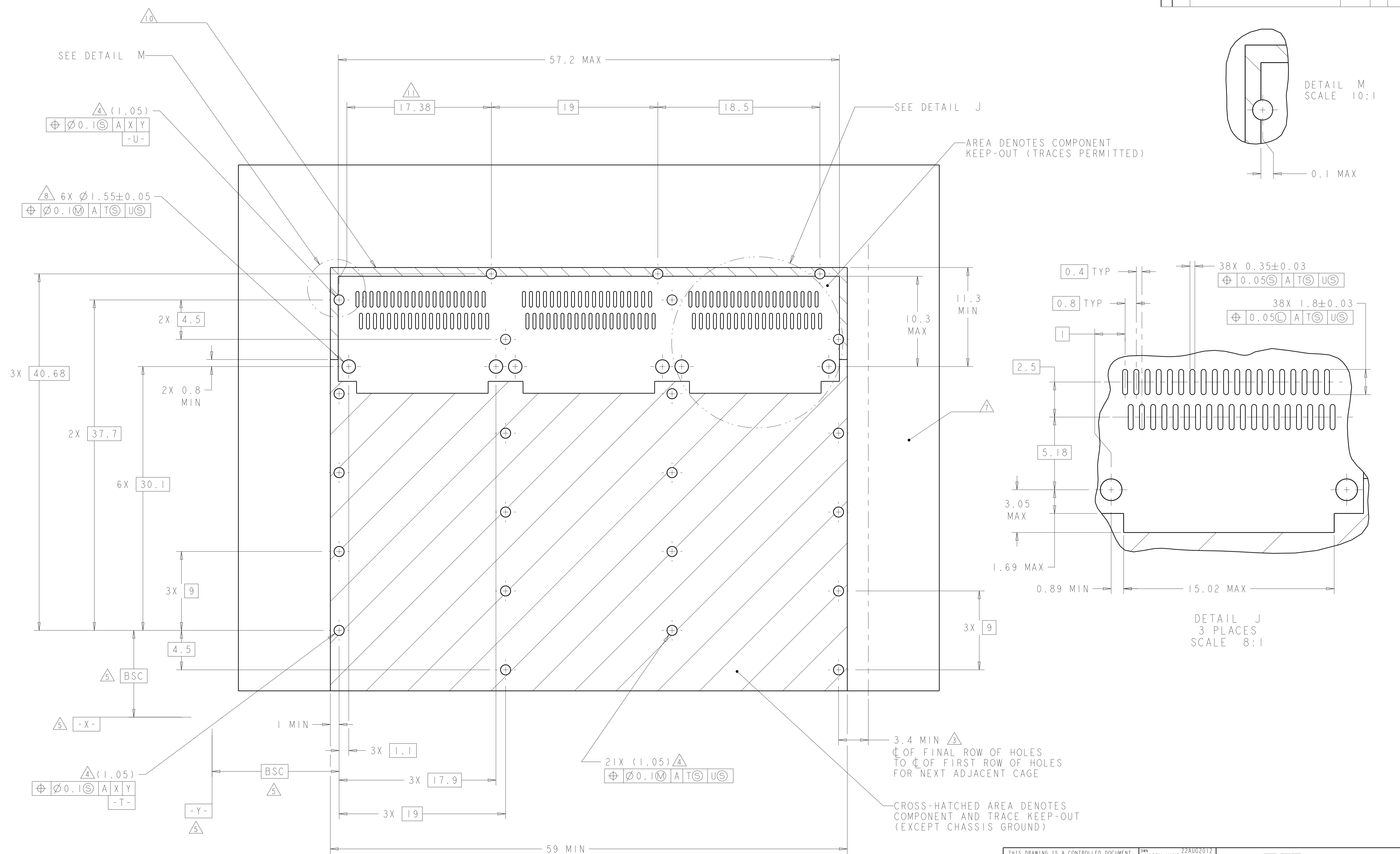


BELLY TO BELLY CONFIGURATION SIMILAR
TO ONE SIDED EXCEPT WHERE NOTED
SCALE 2:1

THIS DRAWING IS A CONTROLLED DOCUMENT.		DWN: JASON YANG 22AUG2012	TE Connectivity
DIMENSIONS:		CHK: ALEX CAI 22AUG2012	
mm	0 PLC ±	APVD: ALEX CAI 22AUG2012	NAME: 1X3 QSFP, CAGE ASSEMBLY, W/O FLANGE
	1 PLC ±0.25	PRODUCT SPEC	SIZE: CAGE CODE DRAWING NO
	2 PLC ±0.15	108-2286	RESTRICTED TO
	3 PLC ±	APPLICATION SPEC	A100779C=2170400
	4 PLC ±	114-13218	SCALE 2:1 SHEET 2 OF 4 REV A
MATERIAL:	FINISH:	WEIGHT:	Customer Drawing

LOC	DIST	REV	DATE	BY	APPD
GP	00				

REVISIONS			
NO.	DESCRIPTION	DATE	BY
1	SEE SHEET 1		

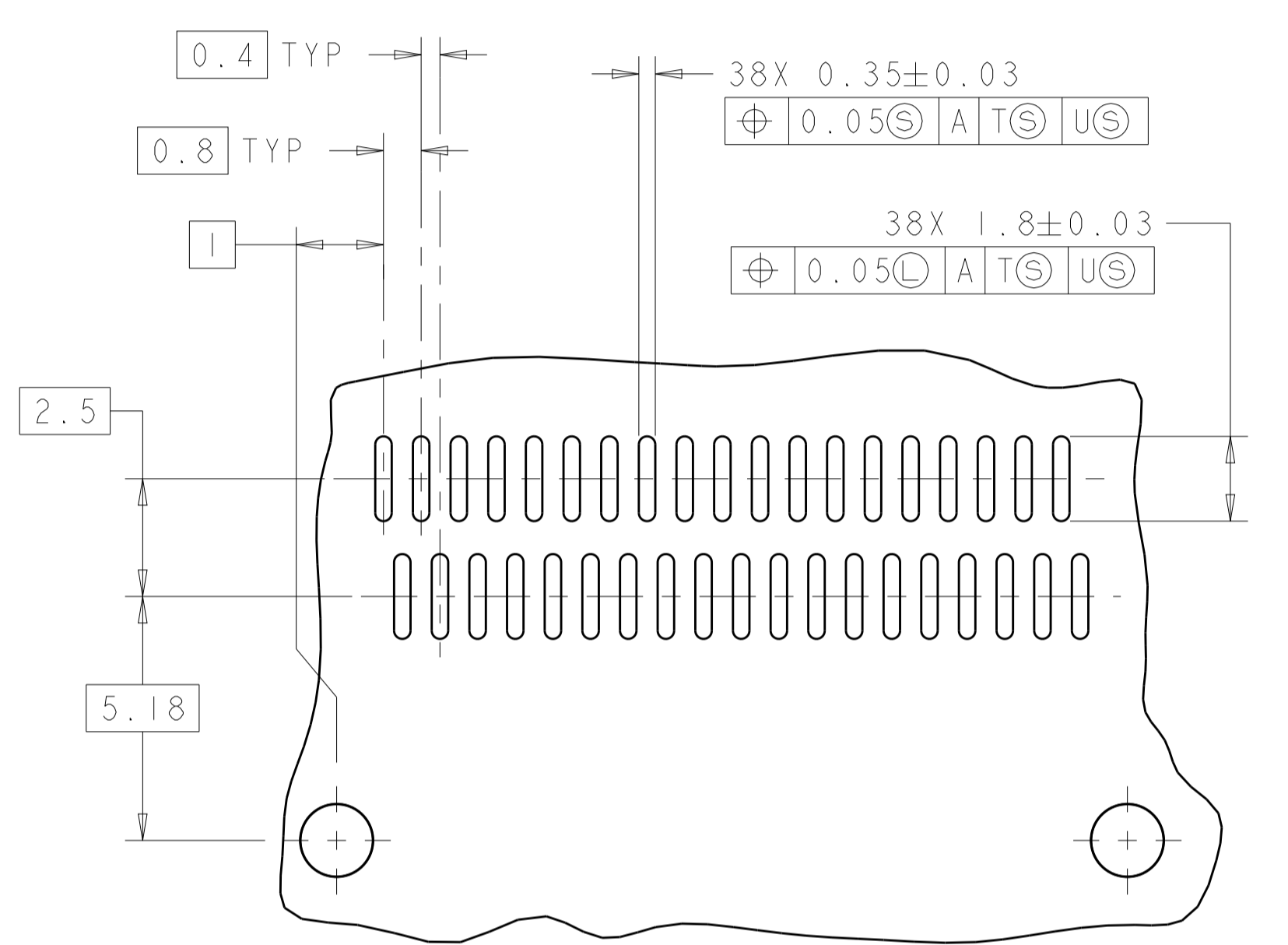
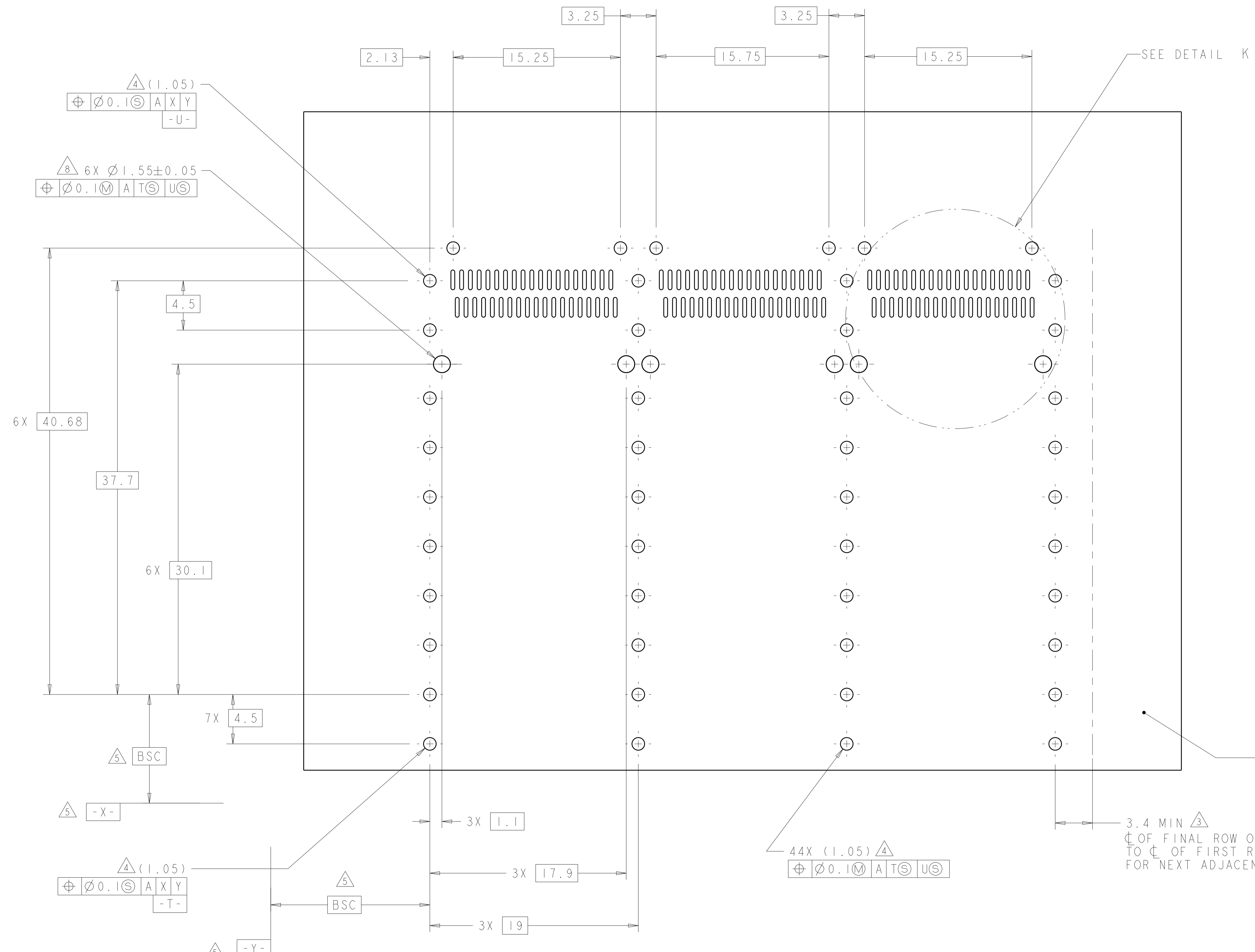


RECOMMENDED PCB BOARD LAYOUT
 SINGLE SIDE MOUNT CONFIGURATION
 TOLERANCE: ±0.05
 SCALE 5:1

THIS DRAWING IS A CONTROLLED DOCUMENT.		DWN: JASON YANG 22AUG2012		TE Connectivity	
DIMENSIONS: mm		CHK: ALEX CAI 22AUG2012			
TOLERANCES UNLESS OTHERWISE SPECIFIED:		APVD: ALEX CAI 22AUG2012		NAME: 1X3 QSFP, CAGE ASSEMBLY, W/O FLANGE	
0 PLC ±0.25		PRODUCT SPEC: 108-2286		SIZE: CAGE CODE DRAWING NO: A100779C=2170400	
1 PLC ±0.15		APPLICATION SPEC: 114-13218		RESTRICTED TO: -	
2 PLC ±0.10		WEIGHT: -		SCALE: 2:1 SHEET 3 OF 4 REV A	
3 PLC ±0.08		MATERIAL: -		Customer Drawing	
4 PLC ±0.05		FINISH: -			
ANGLES ±0.5					

LOC	DIST	REV	DATE	BY	APPD
GP	00				

REVISIONS					
REV	DATE	DESCRIPTION	BY	APPD	DATE
-	-	SEE SHEET 1	-	-	-



DETAIL K
 3 PLACES
 SCALE 8:1

RECOMMENDED PC BOARD LAYOUT
 BELLY TO BELLY CONFIGURATION
 SEE SHEET 4 FOR COMPONENT
 AND TRACE KEEP-OUTS
 TOLERANCE: ±0.05
 SCALE 5:1

THIS DRAWING IS A CONTROLLED DOCUMENT.		OWN: JASON YANG 22AUG2012	TE Connectivity
DIMENSIONS: mm		CHK: ALEX CAI 22AUG2012	
TOLERANCES UNLESS OTHERWISE SPECIFIED:		APVD: ALEX CAI 22AUG2012	NAME: 1X3 QSFP, CAGE ASSEMBLY, W/O FLANGE
0 PLC ±0.25 2 PLC ±0.15 3 PLC ±0.15 4 PLC ±0.15 ANGLES ±0.15		PRODUCT SPEC: 108-2286	RESTRICTED TO: -
MATERIAL: -		APPLICATION SPEC: 114-13218	SIZE: A100779
FINISH: -		WEIGHT: -	SCALE: 2:1
		Customer Drawing	SHEET 4 OF 4 REV A