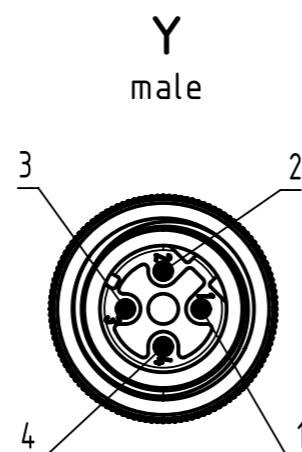
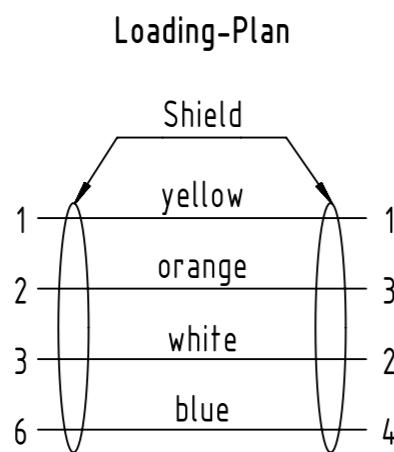
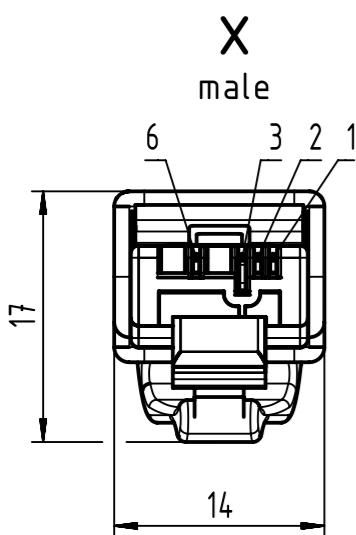
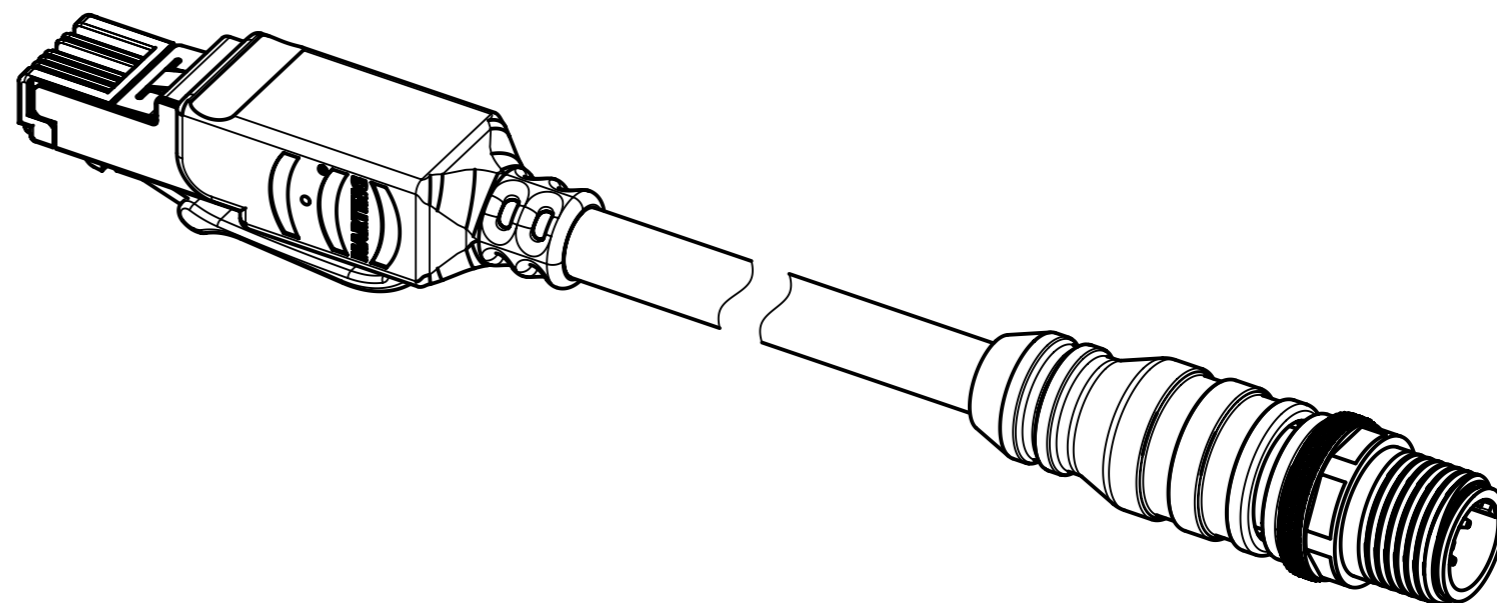
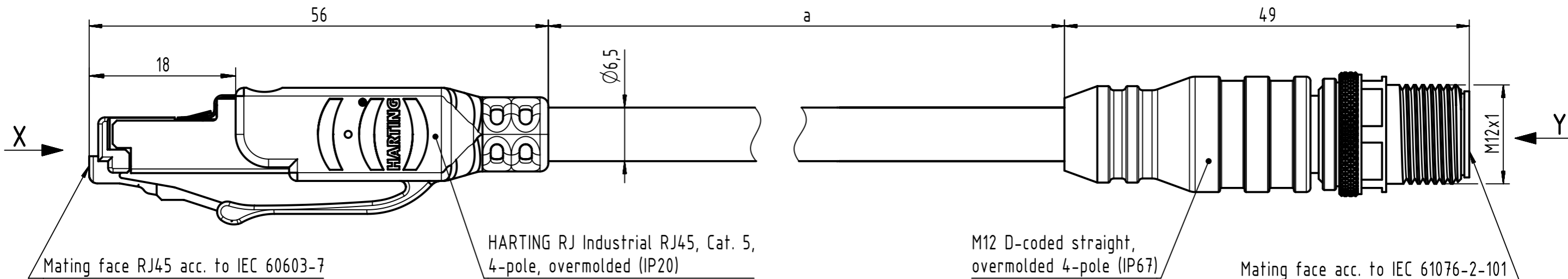


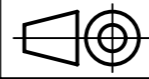
Connector Location A

Connector Location B



- Temperature range: -30°C ... +70°C

	All rights reserved		Created by MUNTEANV		Inspected by MUNTEANV		Standardisation MUNTEANV		Date 2018-09-10		State Final Release	
	Department HCS - RO		Title M12 D-coded Cable Assembly		Type TB		Number 09457005XXX		Doc-Key / ECM-Nr. 100081060/UGD/044/G 500000139822		Rev. G	Page 1/3
HARTING Customised Solutions D-32339 Espelkamp		Tech. Character.		Free size tol.		According to production drawing						

1	2	3	4	5	6	7	8																		
<p>RJI Ethernet trailing cable, AWG22/7, 2x2x0.75, PUR, Cat. 5+, green</p>				32	09457005061		100																		
				31	09457005060		90																		
				30	09457005059		80																		
				29	09457005058		70																		
				28	09457005057		60																		
				27	09457005056		50																		
				26	09457005055		40																		
				25	09457005085		35																		
				24	09457005054		30																		
				23	09457005033		25																		
				22	09457005097		21																		
				21	09457005053		20																		
				20	09457005091		17																		
				19	09457005052		15																		
				18	09457005095		14																		
				17	09457005034		12.5																		
				16	09457005035		11																		
				15	09457005051		10																		
				14	09457005031		9																		
				13	09457005030		8																		
				12	09457005029		7																		
				11	09457005028		6																		
				10	09457005027		5																		
				9	09457005026		4																		
				8	09457005025		3																		
				7	09457005032		2.5																		
				6	09457005024		2																		
				5	09457005023		1.5																		
				4	09457005022		1																		
				3	09457005021		0.5																		
				2	09457005020		0.2																		
				1	09457005096		0.1																		
Cont. no.	Part no.	Type of cable	Dim. a[m]																						
				64	09457005083		100																		
				63	09457005082		90																		
				62	09457005081		80																		
				61	09457005080		70																		
				60	09457005079		60																		
				59	09457005078		50																		
				58	09457005077		40																		
				57	09457005094		35																		
				56	09457005093		31																		
				55	09457005076		30																		
				54	09457005092		25																		
				53	09457005075		20																		
				52	09457005074		15																		
				51	09457005073		10																		
				50	09457005072		9																		
				49	09457005071		8																		
				48	09457005070		7																		
				47	09457005069		6																		
				46	09457005090		5.5																		
				45	09457005068		5																		
				44	09457005089		4.1																		
				43	09457005067		4																		
				42	09457005088		3.6																		
				41	09457005066		3																		
				40	09457005084		2.8																		
				39	09457005065		2																		
				38	09457005064		1.5																		
				37	09457005087		1.4																		
				36	09457005086		1.3																		
				35	09457005063		1																		
				34	09457005062		0.5																		
				33	09457005098		0.3																		
				Cont. no.	Part no.	Type of cable	Dim. a[m]																		
				 All Dimensions in mm <table border="1"> <tr> <td>Tech. Character.</td> <td>Free size tol.</td> <td>According to production drawing</td> </tr> </table>				Tech. Character.	Free size tol.	According to production drawing															
Tech. Character.	Free size tol.	According to production drawing																							
				<table border="1"> <tr> <td>All rights reserved</td> <td>Created by MUNTEANV</td> <td>Inspected by MUNTEANV</td> <td>Standardisation MUNTEANV</td> <td>Date 2018-09-10</td> <td>State Final Release</td> </tr> <tr> <td>Department HCS - RO</td> <td colspan="3">Title M12 D-coded Cable Assembly</td> <td colspan="2">Doc-Key / ECM-Nr. 100081060/UGD/044/G 500000139822</td> </tr> <tr> <td colspan="2">HARTING Customised Solutions D-32339 Espelkamp</td> <td>Type TB</td> <td colspan="2">Number 09457005XXX</td> <td>Rev. G</td> </tr> </table>				All rights reserved	Created by MUNTEANV	Inspected by MUNTEANV	Standardisation MUNTEANV	Date 2018-09-10	State Final Release	Department HCS - RO	Title M12 D-coded Cable Assembly			Doc-Key / ECM-Nr. 100081060/UGD/044/G 500000139822		HARTING Customised Solutions D-32339 Espelkamp		Type TB	Number 09457005XXX		Rev. G
All rights reserved	Created by MUNTEANV	Inspected by MUNTEANV	Standardisation MUNTEANV	Date 2018-09-10	State Final Release																				
Department HCS - RO	Title M12 D-coded Cable Assembly			Doc-Key / ECM-Nr. 100081060/UGD/044/G 500000139822																					
HARTING Customised Solutions D-32339 Espelkamp		Type TB	Number 09457005XXX		Rev. G																				
				<table border="1"> <tr> <td>Page 2/3</td> </tr> </table>				Page 2/3																	
Page 2/3																									

1	2	3	4	5	6	7	8	
A								A
B								B
C								C
D	88	09457005183	RJ45 Ethernet stranded cable, 4xAWG22/7, PVC, Cat. 5+, green	100				D
	87	09457005182		90				
	86	09457005181		80				
	85	09457005180		70				
	84	09457005179		60				
	83	09457005178		50				
	82	09457005177		40				
	81	09457005176		30				
	80	09457005185		25				
	79	09457005175		20				
	78	09457005174		15				
	77	09457005186		12.5				
	76	09457005173		10				
	75	09457005172		9				
	74	09457005171		8				
	73	09457005170		7				
	72	09457005169		6				
	71	09457005168		5				
	70	09457005167		4				
	69	09457005166		3				
	68	09457005165	2					
	67	09457005164	1.5					
	66	09457005163	1					
	65	09457005162	0.5					
E								E
F	Cont. no.	Part no.	Type of cable	Dim. a[m]				F
	1	2	3	4	5	6	8	

	All rights reserved	Created by MUNTEANV	Inspected by MUNTEANV	Standardisation MUNTEANV	Date 2018-09-10	State Final Release	
	Department HCS - RO	Title M12 D-coded Cable Assembly				Doc-Key / ECM-Nr. 100081060/UGD/044/G 500000139822	
HARTING Customised Solutions D-32339 Espelkamp		Type TB	Number 09457005XXX			Rev. G	Page 3/3

Mouser Electronics

Authorized Distributor

Click to View Pricing, Inventory, Delivery & Lifecycle Information:

HARTING:

[09457005022](#) [09457005023](#) [0945 700 5025](#) [09457005027](#) [09457005021](#) [09457005024](#) [09457005028](#)
[09457005030](#) [09457005032](#) [09457005033](#) [09457005051](#) [09457005052](#) [09457005053](#) [09457005056](#) [09457005066](#)
[09457005068](#) [09457005029](#) [09457005031](#) [09457005026](#) [09457005063](#) [09457005073](#) [09457005055](#)
[09457005074](#) [09457005054](#) [09457005075](#) [09457005062](#)