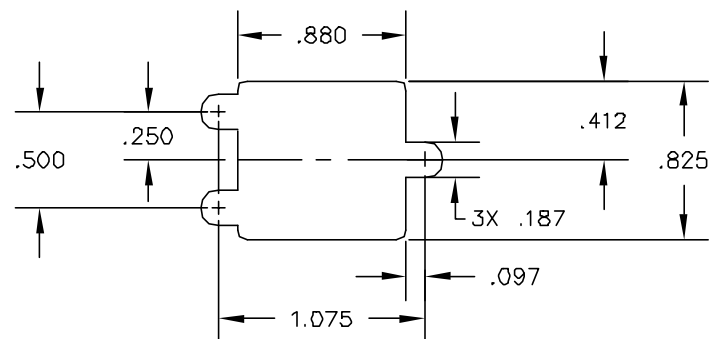
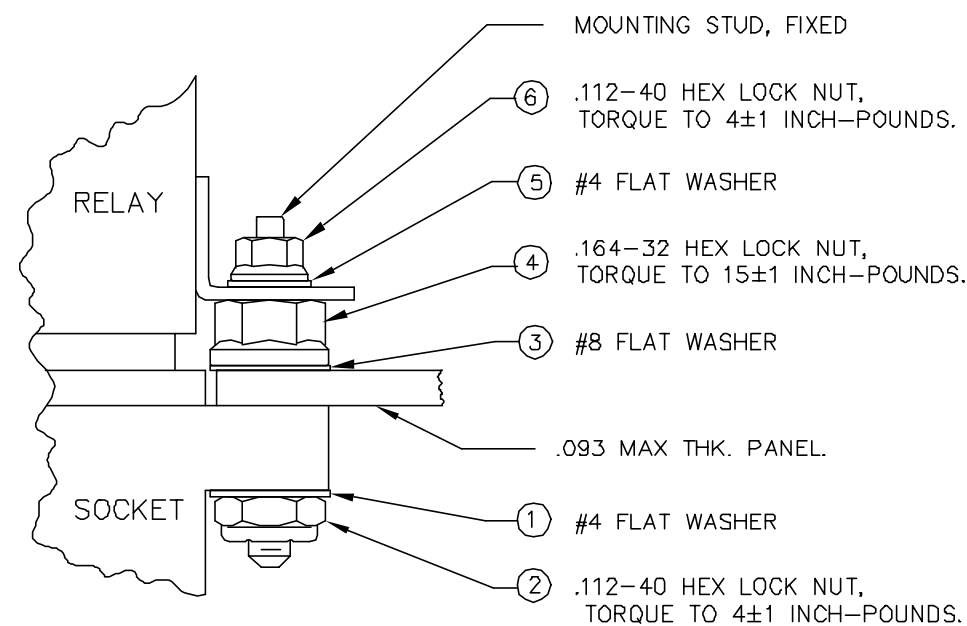
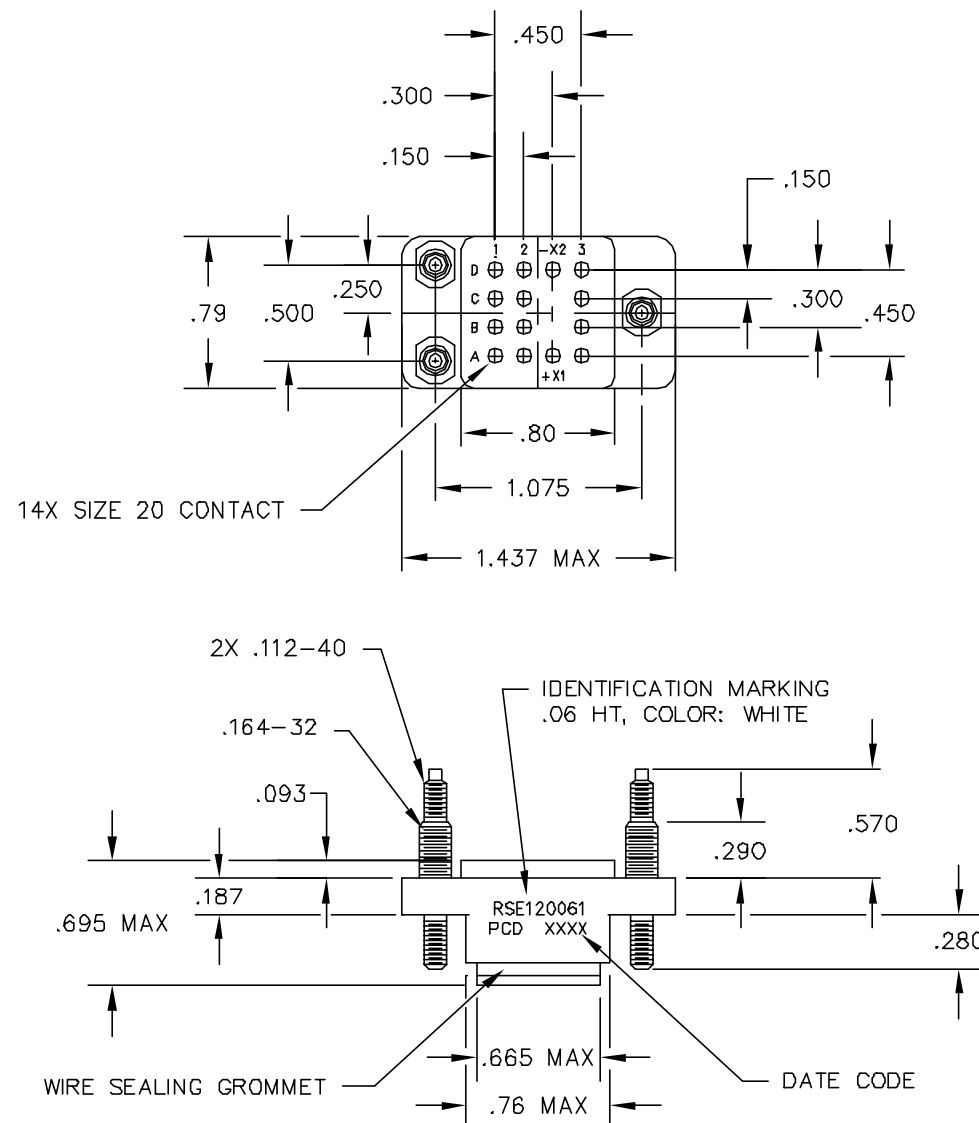


REV	ECN	APP'D
N	5430	JT 8/22/04
P	5579	

BILL OF MATERIAL		
P/N	DESCRIPTION	QTY
200002701	HEX NUT, SELF LOCKING, 4-40 UNC-2B, #501	3
200003801	HEX NUT, SELF LOCKING, 4-40 UNC-2B, #704	3
200001201	HEX NUT, SELF LOCKING, 8-32 UNC-2B	3
200002801	FLAT WASHER, #4, PSVTD, #504	3
200004001	FLAT WASHER, #8, PSVTD, #501	3
200000401	FLAT WASHER, #4, SPCL, #708	3
005111400	3.5" DRAM, UNCAPPED, VIAL/CAP	1
CNS070900	M39027/22-192 CONTACT, SZ20/20	14



RECOMMENDED MOUNTING PANEL HOLE



MOUNTING HARDWARE

INSTALLATION SEQUENCE BY ITEM NUMBER
TYP 3 PLACES

- NOTES:
- CONFORMS TO PERFORMANCE REQUIREMENTS OF MIL-S-12883.
 - MATERIALS:
 - A. HOUSING AND WIRE SUPPORT- POLYETHERIMIDE, COLOR: GREEN.
 - B. GROMMET - SILICONE ELASTOMER, COLOR: RED.
 - COMPLETE MOUNTING HARDWARE SUPPLIED.
 - SOCKET CONTACTS SUPPLIED: (14) SZ 20/20, P/N CNS070900.
 - OPERATING TEMPERATURE: +125°C/-65°C CONTINUOUS.
 - CONTACT INSTALLATION TOOLS:
 - CRIMP TOOL: M22520/7-01
 - POSITIONER: M22520/7-12
 - INSERTION/REMOVAL: M81969/16-01.

DIMENSIONS ANSI Y14.5M UNITS: INCHES ACAD FILE	TOLERANCES .XX ±.01 .XXX ±.005 ANGLES ±2°	PROJECTION 	Amphenol Pcd SPECIFICATION DRAWING ENGR A. PATRIE 8/13/97			TITLE RELAY SOCKET 4 POLE, 5 AMP, 14 POS, SZ 20		
			ORIGINAL THIS DOCUMENT CONTAINS PROPRIETARY INFORMATION WHICH IS THE CONFIDENTIAL PROPERTY OF AMPHENOL PCD INC. PEABODY, MA	CHKD J. RUTKOWSKI 8/13/97 APPD J.E. CAHALY 8/14/97	SIZE B	DWG NO. RSE120061	REV P	
		CODE: 58982		SCALE: 1X		SHEET 1 OF 1		

RSE120061

RSE120061