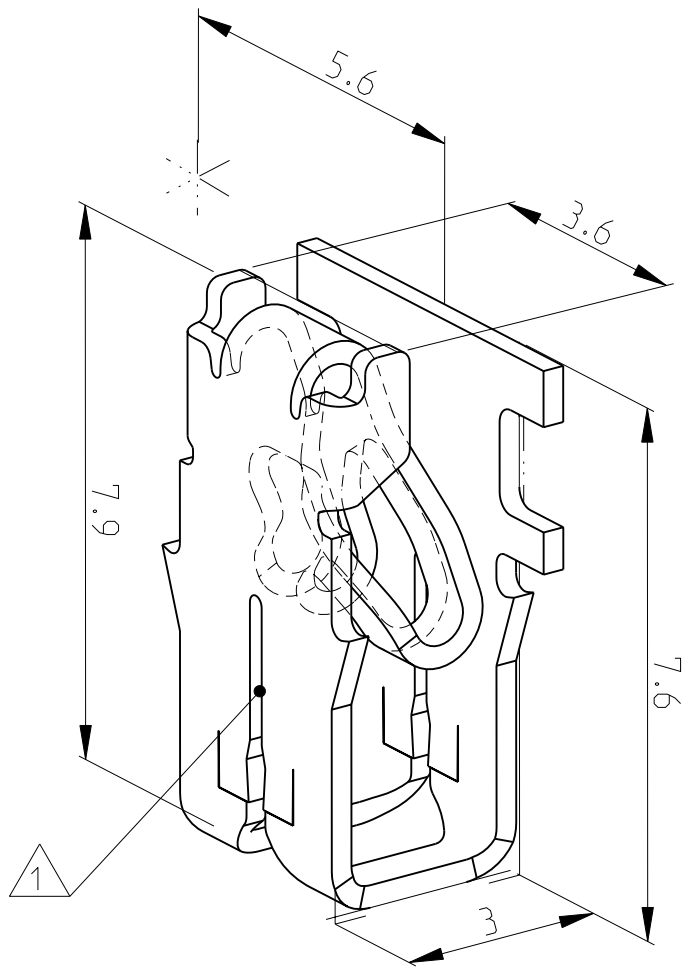
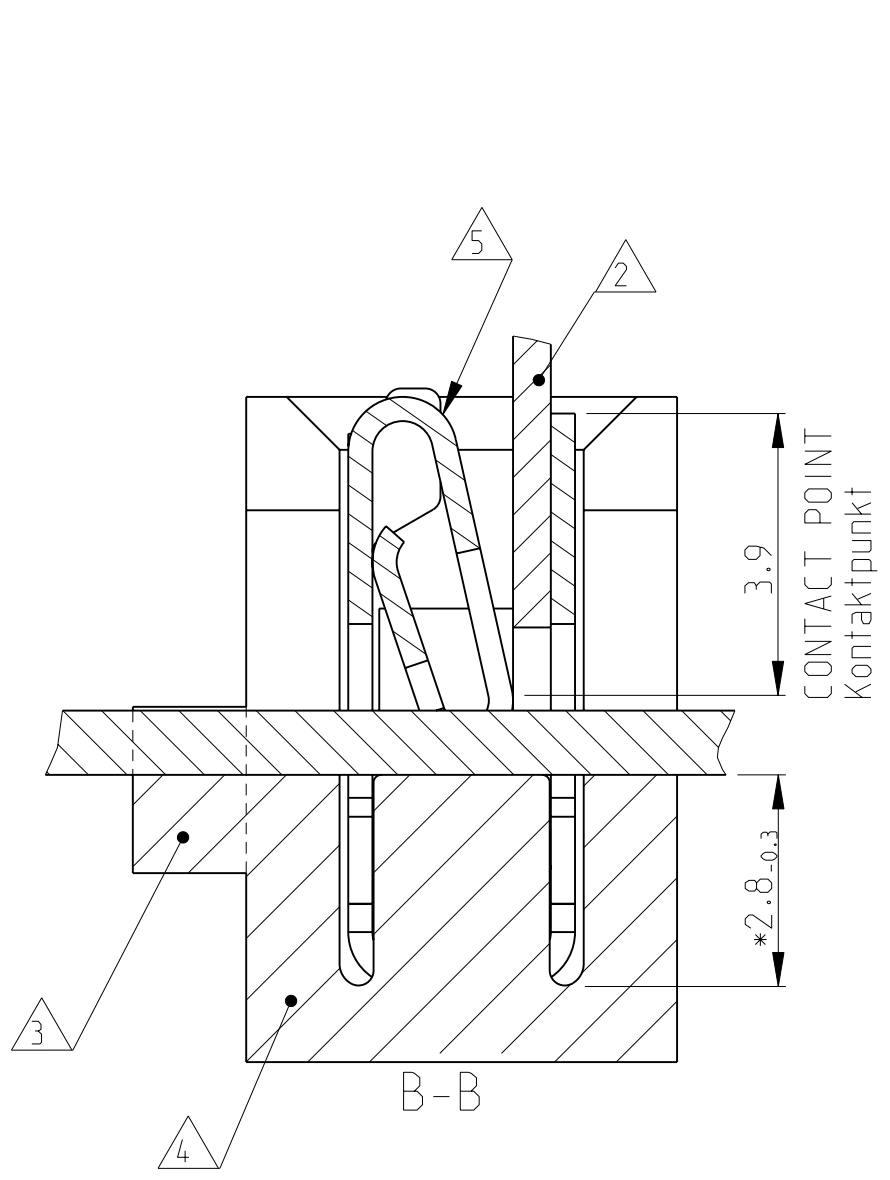


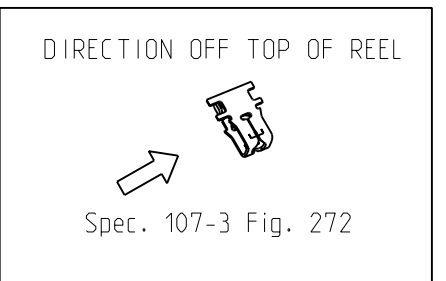
THIS DRAWING IS UNPUBLISHED
 RELEASED FOR PUBLICATION 2008
 © COPYRIGHT 2008 BY TYCO ELECTRONICS CORPORATION. ALL RIGHTS RESERVED.

LOC	DIST	REVISIONS			
P	LTR	DESCRIPTION	DATE	DWN	APVD
A1	-	D1	Referennz fuer Mass 7.9 korrigiert	26-01-04	Ba. PL.
		D2	1394759-4 DELETED AND NOTES TRANSLATED	17-08-04	Ba. PL.
		E1	DWG adapted/Note 4 changed	04-02-2009	DZ TK.
		E2	ECR-09-011231	19MAY2009	SRE PCH



- △ 1 SLOT ACCEPTS:
SINGLE OR DOUBLE MAGNET WIRE
(0.63)..0.65...0.85mm DIA
Kontakt geeignet fuer :
Lackdraht, Einzeldraht und Doppeldraht
Ø(0.63)..0.65...0.85 mm
- △ 2 POKE IN TAB TERMINAL 3.4x0.5mm
Poke in Flachstecker 3.4x0.5mm
- △ 3 AREA WILL BE CUT BY TERMINATION
Bereich wird beim Kontaktieren abgetrennt
- △ 4 CAVITY ACCORDING TO TE SPEC. 411-18512
Kontakt Kammer nach TE Spec. 411-18512
- △ 5 IDENTIFICATION NO. FOR MAGNET WIRE RANGE (20)
Kennziffer fuer Lackdrahtbereich (20)

PART NO	REV.	PCS.	MATERIAL	SURFACE COLOUR	DESCRIPTION	ITEM NO
1394759-3	D	-	CuZn	PRE TINNED	MAG MATE LEAF TERMINAL	-
1394759-2	D	-	CuNiSi	PRE TINNED	MAG MATE LEAF TERMINAL	-
1394759-1	D	-	CuNiSi	BLANK	MAG MATE LEAF TERMINAL	-



THIS DRAWING IS A CONTROLLED DOCUMENT FOR TYCO ELECTRONICS CORPORATION
 IT IS SUBJECT TO CHANGE AND THE CONTROLLING ENGINEERING ORGANIZATION
 SHOULD BE CONTACTED FOR THE LATEST REVISION.

DIMENSIONS: mm	TOLERANCES UNLESS OTHERWISE SPECIFIED: n. ISO 8015, n. ISO 2768- mH-E n. DIN 16901-140	DWN H. ATZMANN 04-01-01	Tyco Electronics Tyco Electronics AMP GmbH 64625 Bensheim (Germany)
	0 PLC ±. 1 PLC ±. 2 PLC ±. 3 PLC ±. 4 PLC ±. ANGLES ±1°	CHK H. Plöber 04-01-01	
MATERIAL SEE TABLE	FINISH SEE TABLE	APVD -	NAME MAG MATE LEAF TERMINAL MARK II
		PRODUCT SPEC 108-2012	SIZE A3
		APPLICATION SPEC 114-2046	CAGE CODE 00779
		WEIGHT -	DRAWING NO 1394759
CUSTOMER DRAWING		SCALE 10:1	RESTRICTED TO -
		SHEET 1	OF 1
		REV E2	