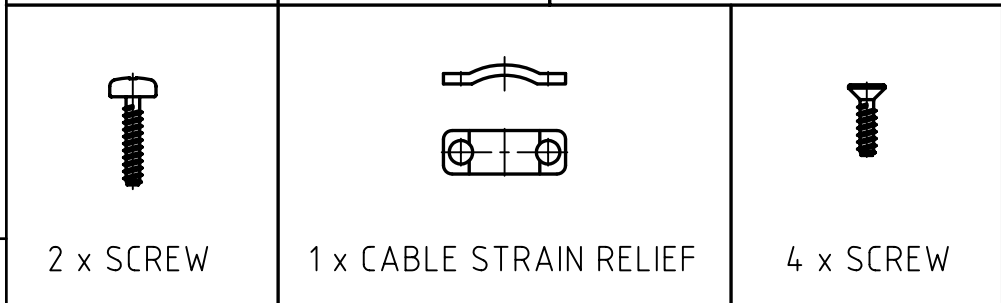
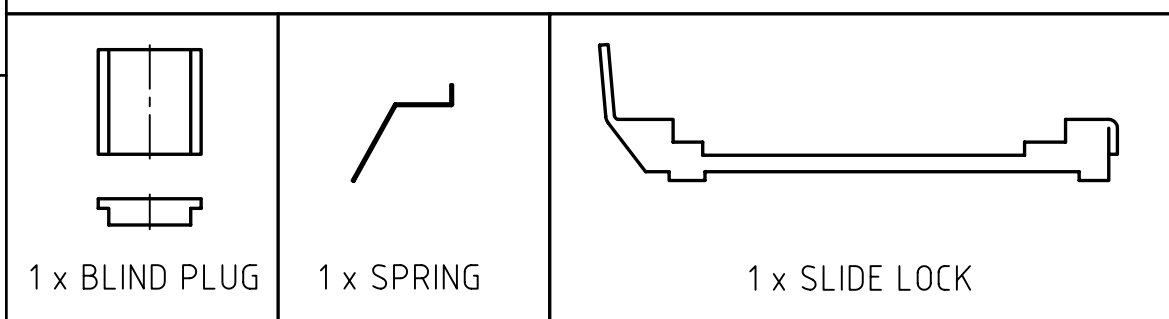
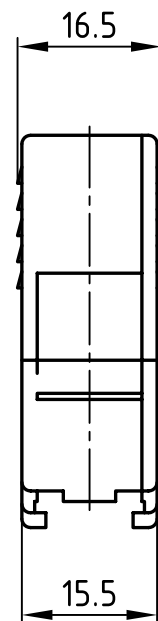
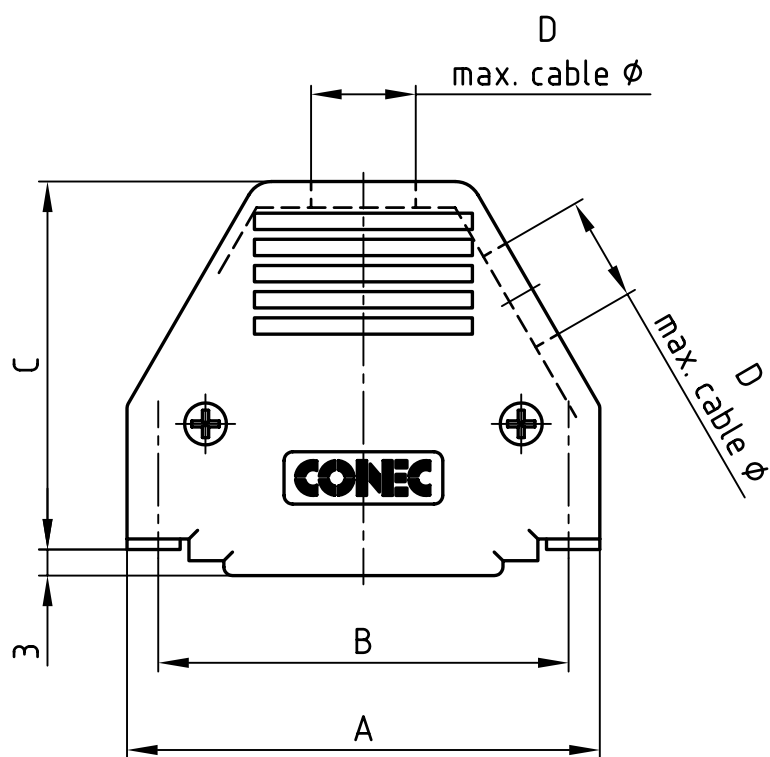


used for: D-SUB



POS.	A	B	C	D max. cable ϕ	Part No. Bulk package	Part No. Single package
9	32.0	25.0	36.7	6.3	165X11359X	165X11359XE
15	40.0	33.3	38.2	8.0	165X11369X	165X11369XE
25	54.2	47.0	42.2	10.5	165X11379X	165X11379XE
37	70.6	63.5	47.2	11.5	165X11389X	165X11389XE



MATERIAL:

HOOD: ABS UL 94 V-0; METALLIZED
 BLIND PLUG: ABS UL 94 V-0; METALLIZED
 SPRING: STAINLESS STEEL
 SLIDE LOCK: STEEL; NICKEL PLATED
 SCREWS: STEEL; NICKEL PLATED
 CABLE STRAIN RELIEF: STEEL; NICKEL PLATED

THIS DRAWING MAY NOT BE COPIED OR REPRODUCED IN ANY WAY, AND MAY NOT BE PASSED ON TO A THIRD PARTY WITHOUT WRITTEN PERMISSION.
 OWNERSHIP AND COPYRIGHT OF CONEC GmbH
 DO NOT ALTER CAD DRAWING BY HAND

tolerance						scale: 1:1
						material: SEE NOTES
			2010	date	name	title: PLASTIC HOOD 9-37pos. with top and side cable exit with slide lock
			drawn	14.04.	Lehmenkühler	
			appd.	14.04.	Koch	
			norm			
			d-old			
a	Origin					dwg no: AutoCAD 2006
rev.	description	date				name
						DIN-A 4
						sh: 1/1
product no: SEE TABLE						

4

3

2

1

F

F

E

E

D

D

C

C

B

B

A

A