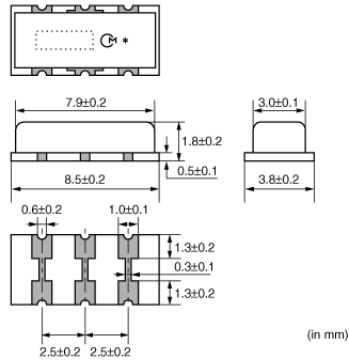


TPSKA4M50B00-R3

In Production RoHS REACH

Appearance & Shape



Features

SMD ceramic trap TPSKA_B is a small and thin SMD trap sealed with TVs, and small and thin tuners.

Features

1. High attenuation and high performance group delay time
2. Small and thin package
3. Reflow-solderable

Applications

Other Usage	Audio Visual Equipment
-------------	------------------------

Packaging Information

Packaging	Specifications	Minimum Order Quantity
-R3	180mm Embossed Tape	3000

Attention

1.This datasheet is downloaded from the website of Murata Manufacturing Co., Ltd. Therefore, it's specifications are subject to change or our products may be discontinued without advance notice. Please check with our sales representatives or product engineers before ordering.
2.This datasheet has only typical specifications because there is no space for detailed specifications.
Therefore, please review our product specifications or consult the approval sheet for product specifications before ordering.

TPSKA4M50B00-R3

Specifications

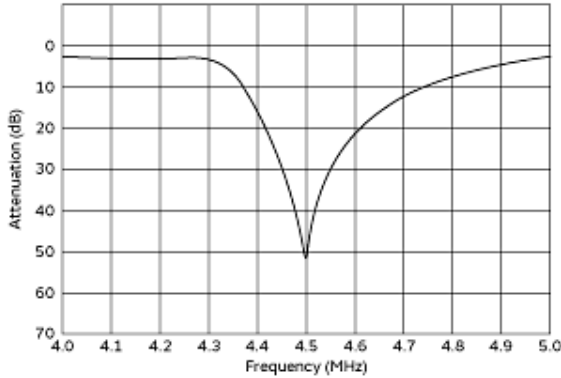
Center Frequency	4.500MHz
Attenuation(min.)	35dB
30dB Stop Bandwidth	50kHz (min.)
Ripple(max.)	0.5dB
Area of Ripple	[0 to 4MHz]
Elements	1
Shape	SMD
Operating Temperature Range	-20°C to 80°C

Attention

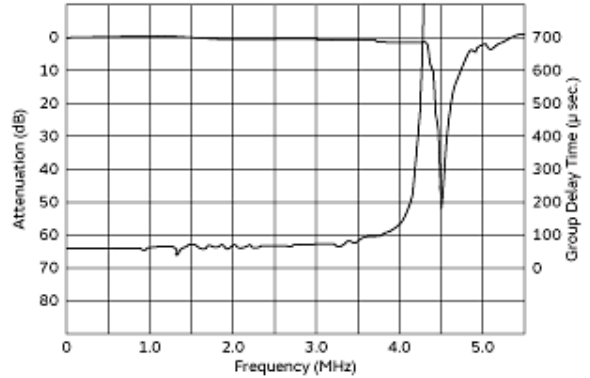
1.This datasheet is downloaded from the website of Murata Manufacturing Co., Ltd. Therefore, it's specifications are subject to change or our products may be discontinued without advance notice. Please check with our sales representatives or product engineers before ordering.
2.This datasheet has only typical specifications because there is no space for detailed specifications.
Therefore, please review our product specifications or consult the approval sheet for product specifications before ordering.

TPSKA4M50B00-R3

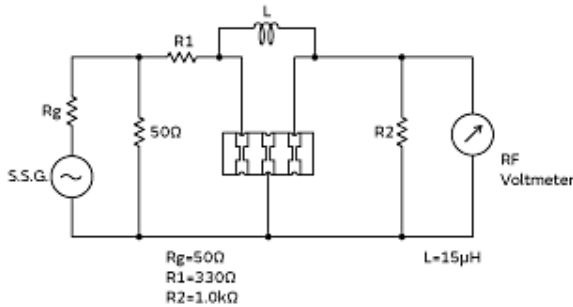
Product Data



Frequency Characteristics



Spurious Response



Measurement Circuit

Attention

1. This datasheet is downloaded from the website of Murata Manufacturing Co., Ltd. Therefore, its specifications are subject to change or our products may be discontinued without advance notice. Please check with our sales representatives or product engineers before ordering.
 2. This datasheet has only typical specifications because there is no space for detailed specifications.
 Therefore, please review our product specifications or consult the approval sheet for product specifications before ordering.