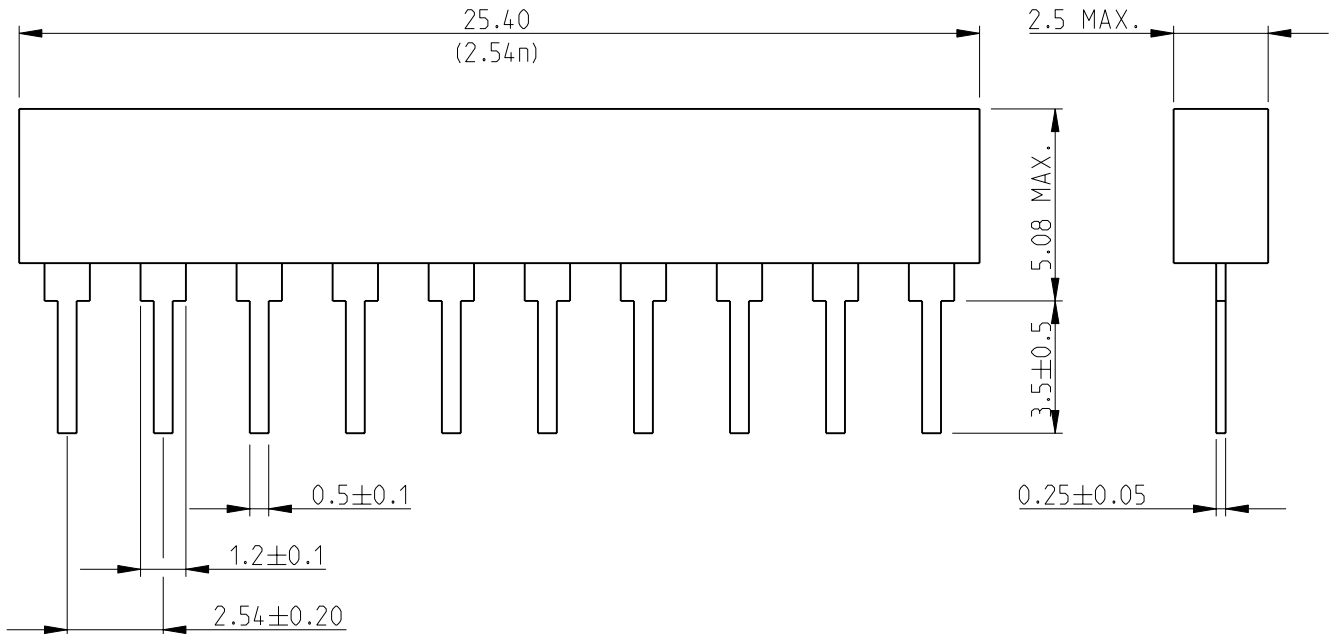
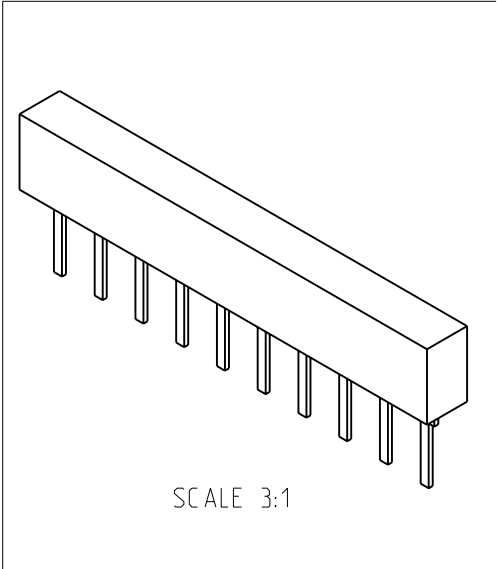


LOC	DIST	REVISIONS					
E	B	P	LTR	DESCRIPTION	DATE	DWN	APVD
			BA	NEW RELEASE	22-OCT-09	MRS	St.P



RoHS Compliant



1. n = NUMBER OF PINS
2. FOR FURTHER INFORMATION SEE DATA SHEET FOR SERIES SIL, GENERAL PURPOSE RESISTOR NETWORKS

2009

RELEASED FOR PUBLICATION

THIS DRAWING IS UNPUBLISHED.

BY TYCO ELECTRONICS CORPORATION. ALL RIGHTS RESERVED.



DIMENSIONS:	DWN	22-OCT-09	MATERIAL	FINISH		
mm	MAHARUDRA		-	-		
TOLERANCES UNLESS OTHERWISE SPECIFIED:	CHK	22-OCT-09	Tyco Electronics Corporation Dorcan, Swindon, SN3 5HH			
	ALLAN.P					
0 PLC ±0.2	APVD	22-OCT-09	NAME GENERAL PURPOSE RESISTOR NETWORKS SIL10 RESISTOR NETWORKS			
1 PLC ±0.1	STEPHEN.P					
2 PLC ±	PRODUCT SPEC		SIZE	CAGE CODE	DRAWING NO	RESTRICTED TO
3 PLC ±-	-		A 4	00779	©= 1622807	-
4 PLC ±-	APPLICATION SPEC		CUSTOMER DRAWING SCALE 5:1 SHEET 1 OF 1 REV BA			
ANGLES ±5°	-					
	WEIGHT	-				