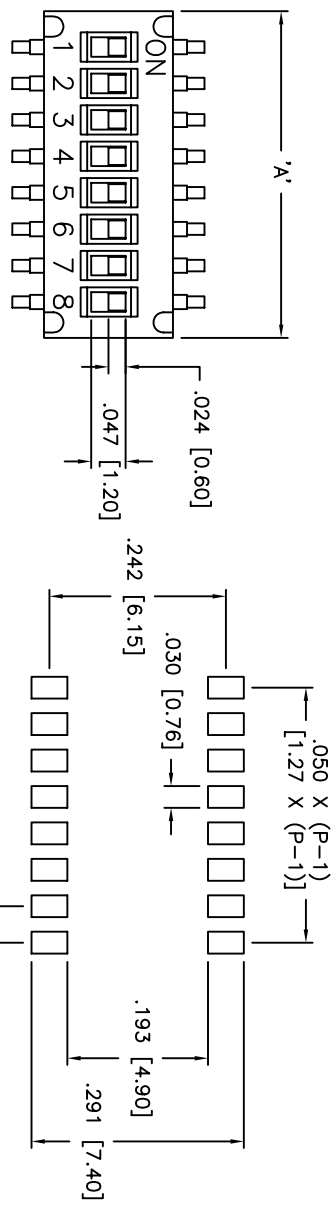
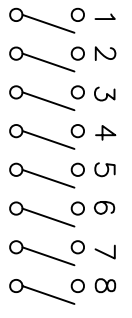
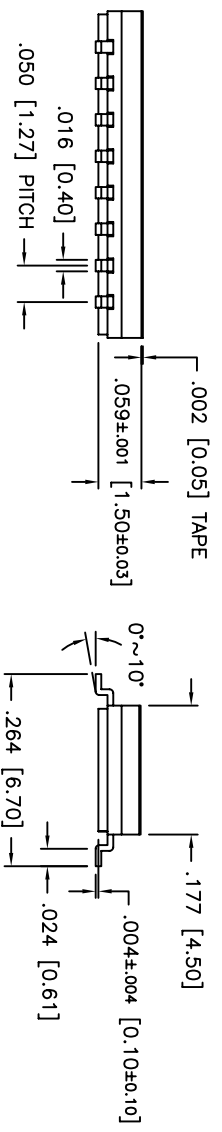


THIS DOCUMENT IS THE PROPERTY OF APDM COMPONENTS AND SHALL NOT BE COPIED, REPRODUCED, DISCLOSED OR USED AS THE BASIS FOR MANUFACTURING OR SALE WITHOUT PERMISSION OF A DULY AUTHORIZED REPRESENTATIVE OF APDM COMPONENTS INC.



P.C. LAYOUT  
UNLESS OTHERWISE SPECIFIED  
P.C. TOLERANCES ARE ±.002 [0.05]



CIRCUIT DIAGRAM

MODEL NUMBER	NO. OF POSITIONS	DIMENSION 'A'
DHN02	2	.148 [3.77]
DHN04	4	.248 [6.31]
DHN06	6	.348 [8.85]
DHN08	8	.448 [11.39]
DHN10	10	.548 [13.93]

PROD. NO.: DHN\*\*\*\*\*  
 PROD. SERIES: \_\_\_\_\_  
 NUMBER OF POSITIONS: \_\_\_\_\_  
 02 = 2  
 04 = 4  
 06 = 6  
 08 = 8  
 10 = 10  
 PLATING: \_\_\_\_\_  
 □ = 3μ" GOLD MIN.  
 A = 10μ" GOLD MIN.  
 SEALING: \_\_\_\_\_  
 □ = REGULAR  
 T = TOP TAPE SEAL  
 PAKAGING: \_\_\_\_\_  
 □ = TUBE  
 T/R = TAPE & REEL  
 F = IN ON POSITION  
 IN OFF POSITION

DESCRIPTION: SURFACE MOUNT DIP SWITCH  
 WITH TAPE SEAL OPTION.  
 SPECIFICATIONS:

- SWITCHING RATING: 25mA, 24VDC.
- NON-SWITCHING RATING: 100MA, 50VDC.
- CONTACT RESISTANCE: 100 MOHMS MAX
- DIELECTRIC STRENGTH: 300VAC for 1 MINUTE.
- INSULATION RESISTANCE: 100MOHMS MIN. AT 500VDC
- CAPACITANCE: 5PF AT 1MHZ±10KHZ MAX.
- OPERATING FORCE: 500 gf MAX.
- STROKE: 0.6mm
- OPERATING TEMP: -40° to 85° C.
- STORAGE TEMP: -40° to 85° C.
- ELECTRICAL LIFE: 1,000 CYCLES.
- MECHANICAL LIFE: 1,000 OPERATIONS.
- CIRCUIT: 1 POLE 1 THROW.
- VIBRATION TEST: PASSES METHOD 201A. MIL-STD-202F.
- SHOCK TEST: 50g PER METHOD 213B. MIL-STD-202F.

MATERIALS:  
 BASE & COVER: UL94V-0 NYLON HIGH-TEMP. THERMOPLASTIC  
 COLOR, BLACK  
 ACTUATOR: LCP HIGH-TEMP. THERMOPLASTIC.  
 COLOR, WHITE  
 CONTACT: PHOSPHOR BRONZE WITH GOLD PLATING  
 TERMINAL: BRASS WITH GOLD PLATING  
 TAPE: KAPTON  
 SOLDERING:  
 HAND SOLDERING: 350°C FOR 5 SECONDS MAX.  
 REFLOW: 260°C FOR 5-10 SECONDS

DATE	SYM	REVISION RECORD	DWNL	CK
3/08	B	ECO# 785	CD	

<b>APDM</b> 63 Neck Rd. Hendersonville, NC 28859 (704) 752-5554 FAX: (704) 752-5554		PPN: CJD BR: _____ OR: _____ PJD
DESIGNS: ORIGINAL DIMENSION TOLERANCES (UNLESS OTHERWISE NOTED) .XX±.XX [0.5] .XXX±.XXX [0.20] .XXXX±.XXXX [0.02] ANGLE = 40.5°	TITLE HALF PITCH DIP SWITCH	THIRD ANGLE PROJECTION
DO NOT SCALE DATE: 3/20/08	DRAWING NO.: DHN*****	REV: B