

0.5 Nm ovoid 3.9 Watts 3.9 W Part number made to order



- Torque rating of gearboxes : 0.5 Nm, high-performance plastic gears
- Motors : nominal power 3 W, interference suppression for standard stocked products
- Wide speed range : 0.3 to 430 rpm
- Optional encoder built into the motor

Part numbers

| | Type | Type | Voltage | Standard speed (rpm) | Output speed (rpm) | Ratios (i) |
|----------|-------|--------|---------|----------------------|--------------------|------------|
| 82861023 | 3.9 W | 828610 | 24 V | 4300 | 3,6 | 1200 |

Specifications

General characteristics

| | |
|--|--------|
| Motor | 828600 |
| Gearbox | 810210 |
| Maximum permitted torque from gearmotor under continuous conditions for 1 million turns (Nm) | 0.5 |
| Axial load static (daN) | 1 |
| Radial load static (daN) | 8 |
| Max. output power (W) | 3,9 |
| Nominal output (W) | 3 |
| Gearbox case temperature rise (°C) | 50 |
| Weight (g) | 160 |

Made to order products, available on request

Motors :

- Other supply voltages
- Motor with 2 ball bearings
- Shaft lengths at front and/or rear
- Lead outputs or radial tag terminals
- Special interference suppression
- Encoder : 5 pulses/rev

Gearboxes :

- Special shaft
- Ball bearing
- Special greasing
- Torque limiter F
- Gearbox fixing M3
- Other speeds

Dimensions (mm)

828610

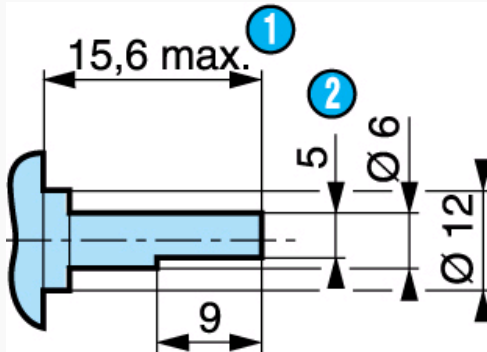


| N° | Legend |
|----|--------|
| | |

| | |
|---|---|
| ① | 2 fixing holes \varnothing 3.2 |
| ② | 2 standard tags NFC 20-120, series 2.8 x 0.5 mm |
| ③ | Shaft pushed-in |
| ④ | 3.5 across flats |

Dimensions (mm)

Shaft 70999421
SP1295.10



| N° | Legend |
|----|-----------------|
| ① | Shaft pushed-in |
| ② | 5 across flats |

Dimensions (mm)

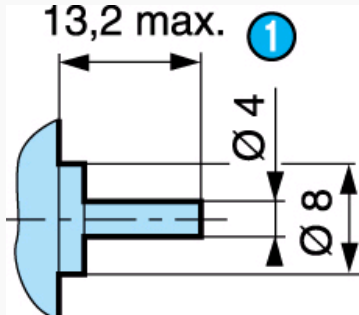
Shaft 79200779



| N° | Legend |
|----|-----------------|
| ① | Shaft pushed-in |

Dimensions (mm)

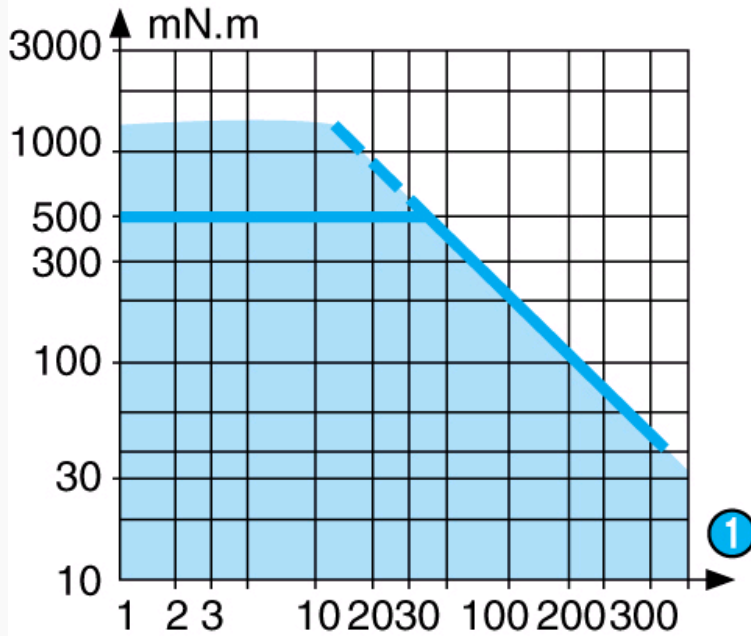
Shaft 79200967



| N° | Legend |
|----|--------|
|----|--------|

**Curves**

Curve : torque/nominal speed 828610



| N° | Legend |
|----|--------|
| 1 | rpm |

Product adaptations

- Special supply voltage
- Lead output
- 1 or 5 pulse encoder
- Special connectors
- Special shaft
- Special reduction ratio
- Special materials for gears
- Special ball bearings
- Special adaptor plate
- EMC filter
- More than 200 reduction ratios available