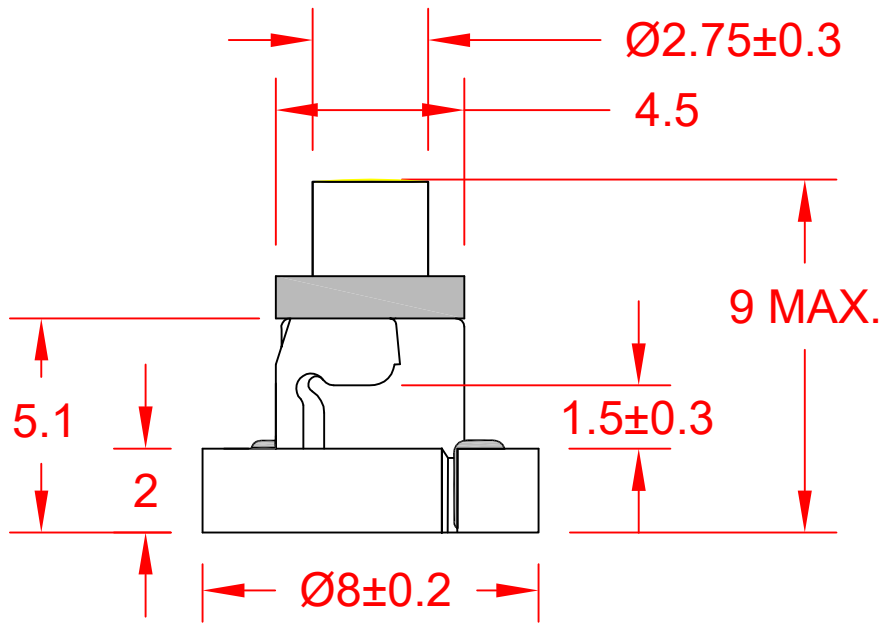
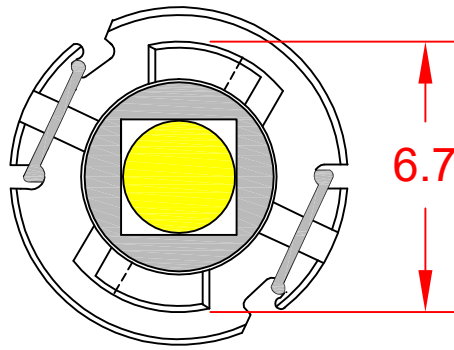


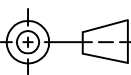
Ø0.3  
2-LEADS (REF.)



JKL PART NO. LE-CNW1-01W

14 VDC  
0.011 AMPS  
3.10 LUMENS

Pb FREE

<b>METRIC</b>  THIRD ANGLE PROJECTION		DIMENSIONS ARE IN MILLIMETERS TOLERANCE UNLESS OTHERWISE SPECIFIED 1 PL +/- REF. 2 PL +/- REF. ANGLE +/- 0		<b>JKL COMPONENTS CORPORATION</b>					
				TITLE <b>T-1 NEO-WEDGE BASE WHITE LED</b>					
DRAWN BY L. WENGSTROM		APPV'D BY DATE S.C. 6/13/18		SIZE <b>A</b>	FSCM NO. <b>55335</b>	DRAWING NO. <b>LE-CNW1-01W</b>			
REV. NO.	DESCRIPTION/ECO NUMBER	APPV'D DATE	- CAD DRAWING - MANUAL REVISIONS NOT PERMITTED		SCALE <b>NONE</b>	RELEASED DATE <b>6/13/18</b>	REVISION DATE	REV. NO.	SHEET <b>1 OF 1</b>

RELEASED	6/13/18