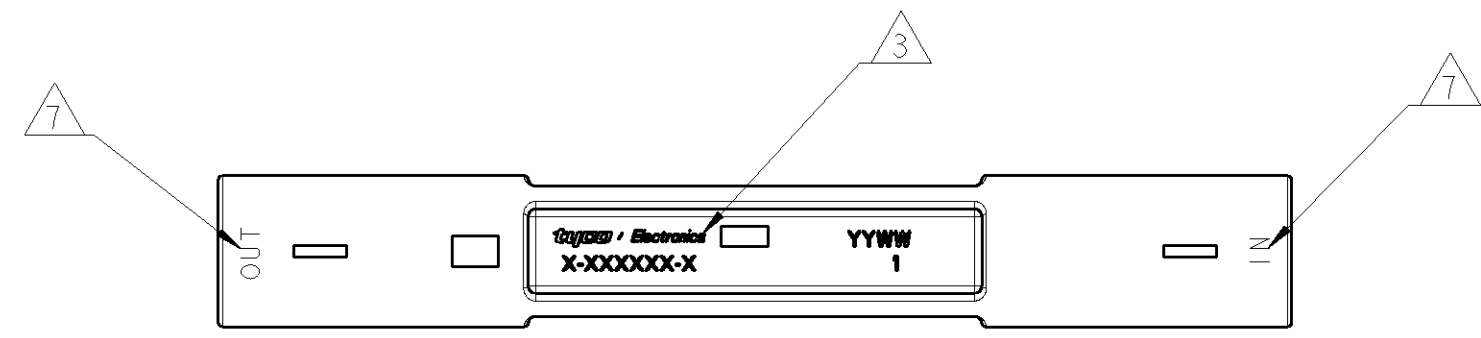


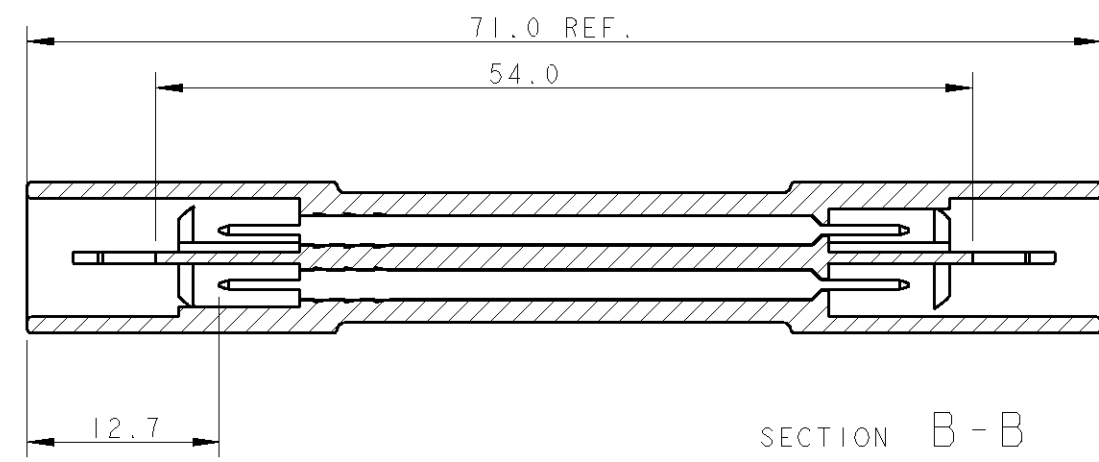
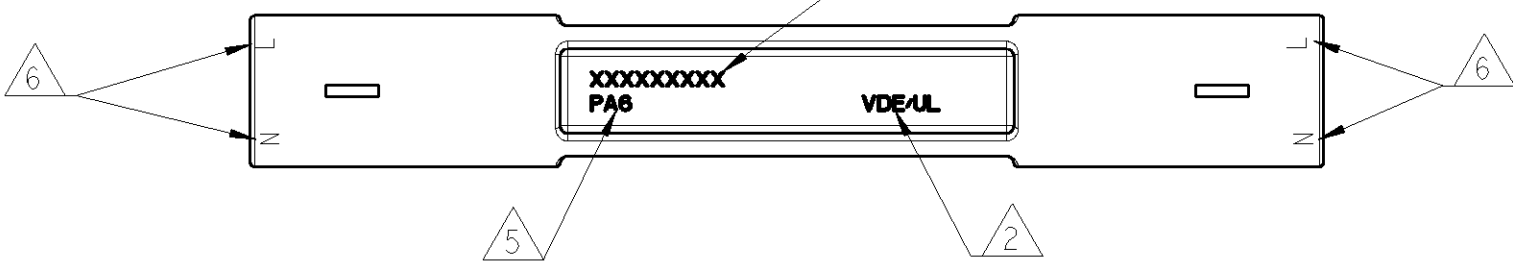
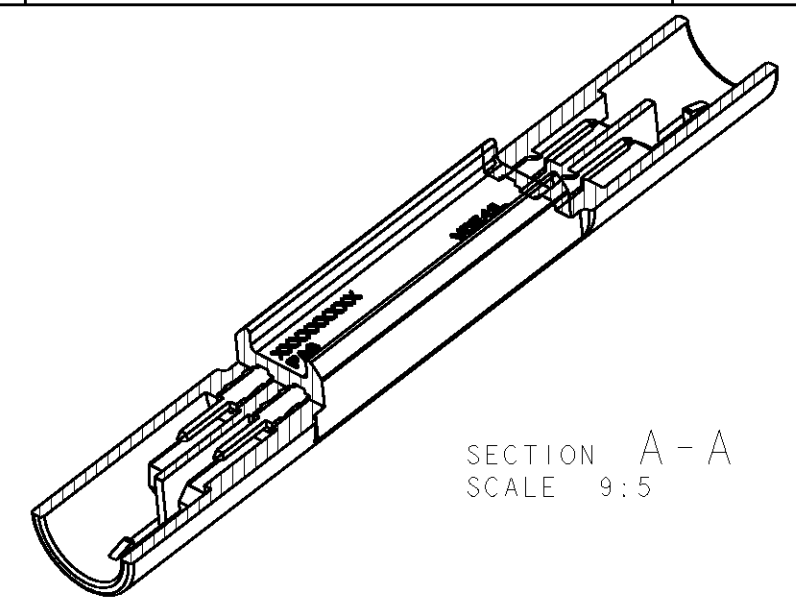
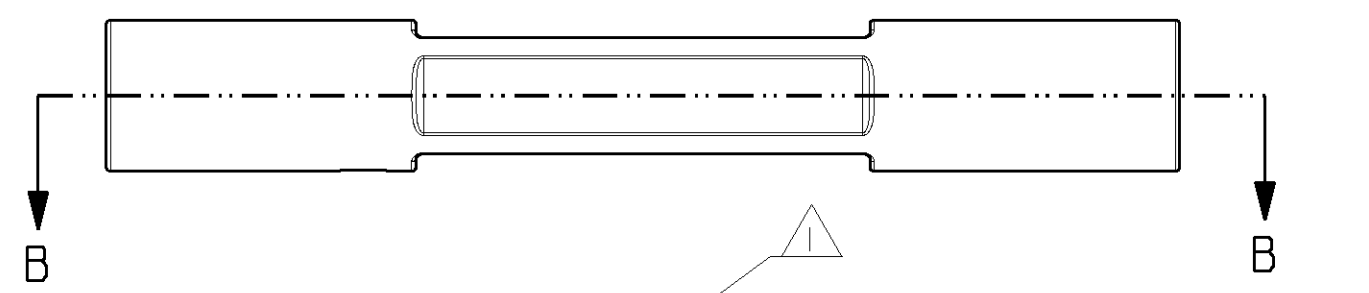
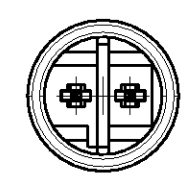
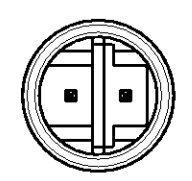
THIS DRAWING IS UNPUBLISHED. RELEASED FOR PUBLICATION 2005  
 © COPYRIGHT 2005 BY TYCO ELECTRONICS CORPORATION. ALL RIGHTS RESERVED.

LOC	DIST	REVISIONS					
		P	LTR	DESCRIPTION	DATE	DWN	APVD
1			I	PRELIMINARY	27JUN2006	AV	GT
			A	FIRST ISSUE, WAS 06-51107	12JUL2006	AV	GT
			AI	REVISED: NEW POLARIZATIONS HV-4; HV5	27JUL2006	UA	GT
			B	LENGHT CHANGED FROM 72.2 TO 71	18SEP2006	AV	GT
			C	POLARIZATION HV-5 ROTATED OF 180°	19SEP2006	AV	GT
			D	REVISED ADDED NOTE IN-OUT	29SEP2006	AV	GT



KEYING HV-4

KEYING HV-5



SECTION B-B

- 1 KEYING DEPENDENT MARKING (SEE TABLE)
- 2 INSERT FOR UL, VDE LOGO DESIGN BUT NOT EXECUTE
- 3 PART MARKING  
-Tyco Electronics Product Identifier  
Date Code  
Part number
- 4 MATERIAL:  
HOUSING POLYAMIDE  
CONTACT: BRASS TIN PLATED
- 5 RAW MATERIAL IDENTIFICATION
- 6 WAY IDENTIFICATION
- 7 INPUT-OUTPUT WAY DESCRIPTION

HV4-HV5	HIGH-VOLT 250 Vac	2.5A/250Vac	BLACK	293225-2	D
HV4-HV5	HIGH-VOLT 250 Vac	2.5A/250Vac	WHITE	293225-1	D
KEYING	REMARKS	MARKING	COLOR	P/N	REV.

<small>THIS DRAWING IS A CONTROLLED DOCUMENT FOR TYCO ELECTRONICS CORPORATION          IT IS SUBJECT TO CHANGE AND THE CONTROLLING ENGINEERING ORGANIZATION          SHOULD BE CONTACTED FOR THE LATEST REVISION.</small>		DWN 27JUN2006 A. Vecchia CHK 27JUN2006 G. Turco APVD - PRODUCT SPEC APPLICATION SPEC WEIGHT CUSTOMER DRAWING	Tyco Electronics AMP Italia S.p.A. 10093 Collegno TO
DIMENSIONS: mm 	TOLERANCES UNLESS OTHERWISE SPECIFIED: 0 PLC ± 1 PLC ±0.3 2 PLC ± 3 PLC ± 4 PLC ± ANGLES ±	NAME OUTLET BRIDGE ASS'Y SIZE A3 CAGE CODE 00779 DRAWING NO C-293225	RESTRICTED TO SCALE 2:1 SHEET 1 OF 1 REV D