



# TDT SERIES

# HIGH PERFORMANCE 3-PHASE 3-WIRE FILTERS

## COMPONENTS

| PART NO. | $\Sigma C_x$ (uF) | $\Sigma C_y$ (uF) | L (mH) | R (M $\Omega$ ) | R1 (M $\Omega$ ) |
|----------|-------------------|-------------------|--------|-----------------|------------------|
| 08TDT2   | 1.6               | 0.17              | 7.6    | 2.0             | -                |
| 16TDT2   | 3.4               |                   | 5.2    | 1.5             | 1.1              |
| 25TDT2   |                   | 1.8               | 2.2    |                 |                  |
| 36TDT2   | 1.3               |                   |        |                 |                  |
| 50TDT2   | 4.4               | 2.0               | 0.8    |                 |                  |

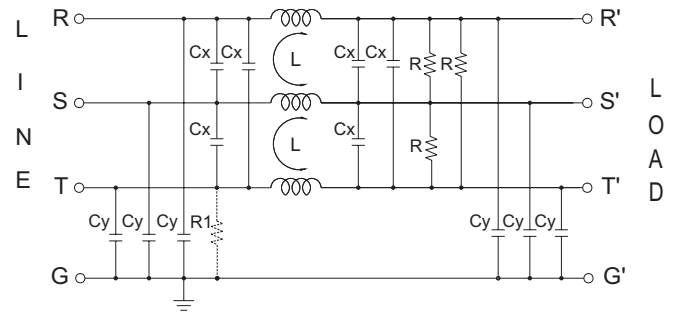
## INTRODUCTIONS

1. Applications: Electric equipment, UPS, machine tool, copy machine, automation equipment, robot, AC motor drive
2. Voltage rating: 480VAC
3. Operating frequency: 50/60Hz

## MINIMUM INSERTION LOSS IN dB

| COMMON MODE (L-G) IN 50 OHM SYSTEM       |               |     |     |     |     |     |     |    |    |
|--|---------------|-----|-----|-----|-----|-----|-----|----|----|
| PART NO.                                 | FREQUENCY-MHz |     |     |     |     |     |     |    |    |
|  | .01           | .05 | .10 | .15 | .50 | 1.0 | 5.0 | 10 | 30 |
| 08TDT2                                   | 20            | 30  | 40  | 50  | 65  | 65  | 55  | 50 | 50 |
| 16TDT2                                   | 15            | 25  | 35  | 45  | 70  | 65  | 55  | 50 | 50 |
| 25TDT2                                   | 15            | 25  | 35  | 40  | 50  | 50  | 50  | 40 | 30 |
| 36TDT2                                   | 10            | 35  | 50  | 50  | 60  | 60  | 50  | 40 | 55 |
| 50TDT2                                   | 5             | 30  | 50  | 50  | 50  | 50  | 50  | 50 | 50 |
| DIFFERENTIAL MODE (L-L) IN 50 OHM SYSTEM |               |     |     |     |     |     |     |    |    |
| 08TDT2                                   | 10            | 10  | 20  | 50  | 65  | 65  | 55  | 50 | 50 |
| 16TDT2                                   | 10            | 10  | 40  | 50  | 70  | 65  | 55  | 50 | 50 |
| 25TDT2                                   | 10            | 10  | 40  | 45  | 50  | 50  | 50  | 40 | 30 |
| 36TDT2                                   | 10            | 20  | 40  | 50  | 60  | 60  | 50  | 45 | 45 |
| 50TDT2                                   | 5             | 20  | 40  | 45  | 50  | 50  | 50  | 50 | 50 |

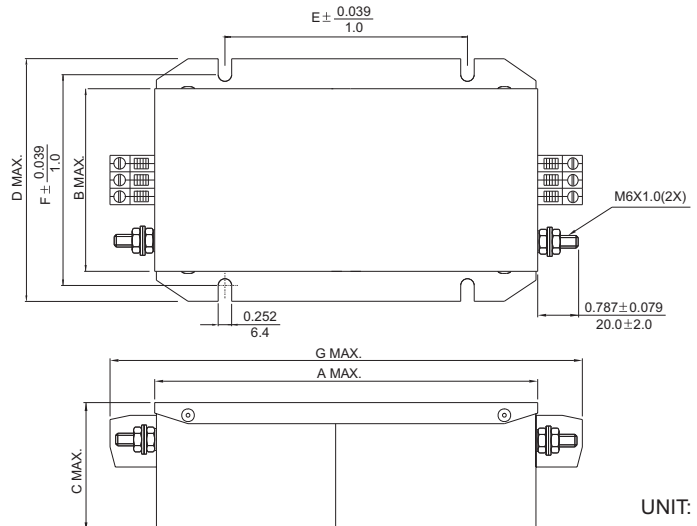
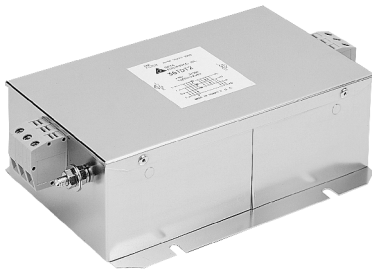
## ELECTRICAL SCHEMATIC



## SERIES DIMENSIONS

| PART NO. | DIMENSIONS IN INCHES/mm |                       |                      |                       |                       |                       |                       |   |
|----------|-------------------------|-----------------------|----------------------|-----------------------|-----------------------|-----------------------|-----------------------|---|
|          | A                       | B                     | C                    | D                     | E                     | F                     | G                     | H |
| 08TDT2   | $\frac{7.165}{182.0}$   | $\frac{3.425}{87.0}$  | $\frac{2.40}{61.0}$  | $\frac{4.606}{117.0}$ | 4.528                 | $\frac{3.937}{100.0}$ | $\frac{8.898}{226.0}$ | — |
| 16TDT2   | $\frac{7.953}{202.0}$   | $\frac{4.803}{122.0}$ | $\frac{2.598}{66.0}$ | $\frac{5.984}{152.0}$ |                       | 115.0                 | $\frac{5.354}{136.0}$ |   |
| 25TDT2   |                         |                       |                      |                       | $\frac{9.882}{251.0}$ |                       |                       |   |
| 36TDT2   |                         |                       |                      |                       |                       |                       |                       |   |
| 50TDT2   |                         |                       |                      |                       |                       |                       |                       |   |

## MECHANICAL CONSTRUCTION



UNIT: INCH  
mm