

24 x 48 Totalizer and tachometer CTR24L - 2513 Part number 87623572



- High brightness display : 6-digit LED, height 8 mm
- Maximum input frequency 30 k Hz
- Combined function : Position indicator counter and Tachometer
- Reset on panel or
- Supply : 10 →30 VDC
- Easy to program
- Scaling factor (Counter - Tachometer)
- Decimal point (Counter - Tachometer)
- Accessories for 50 x 25 mm cut-out

Part numbers

Type	Functions
87623572 CTR24L - 2513	Combined : Counter and Tachometer

Specifications

Physical details and protection

Consumption	10 →30 VDC max 55 mA with protection against polarity reversal
Connection by 5 screw terminals at rear of casing	•
Terminal capacity	1,5 mm ²
Fixed using bracket	•
Degree of protection front face	IP 65
Data memory	EEPROM
Temperature limits use (°C)	-20 →+55
Temperature limits stored (°C)	-25 →+70
Breakdown voltage	EN 61010-1 : 2000 V / 50 Hz / 1 min
Conformity to standards	EN 61000-6-2 - EN 55011 class B
Altitude	2000 m
Certifications	UL - cULus (pending) - CE
Weight (g)	50

Operating characteristics

Functions	Impulse counter and Tachometer
Display	6-digit LED
Height digits (mm)	8

Inputs specifications

Inputs	2 counter inputs, 1 tachometer input, 1 reset input
Low level	0 →0,2 x U _b VDC
High level	0,6 x U _b →30 VDC
Cyclical ratio	Any (maximum frequency given for a cyclical ratio = 1/1) Schmitt trigger input
Polarity	NPN or PNP for all inputs (programming)
Minimum impulse duration for reset	5 ms
Frequency of filtered input	Filter active : 30 Hz Filter disabled : maximum frequency (programming)
Input impedance (kΩ)	Appr. 5

Impulse counter

Display details	- 19 999 →999 999
Elimination of non-significant zeros	•
Counting input modes	Cnt.Dir →Counter input INPA and counter direction input INPB Up.dn →INPA INPB differential counting Up.up →Sum of INPA + INPB QuAd →Phase discriminator QuAd2 →Phase discriminator with doubling of impulses QuAd4 →Phase discriminator with quadrupling of impulses
Inputs INPA / INPB	Dynamic
Reset to zero - Panel	If not locked during programming
Scale factor	1 →99,9999
Scaling factor	1 →99,9999
Decimal point	0 0.0 0.00 0.000
Maximum counting frequency	Combined Counter + Tachometer functions : CntDir →30 k Hz UpDown →10 k Hz UpUp →10 k Hz Quad1 →15 k Hz Quad2 →15 k Hz

Quad4 → 10 k Hz

Tachometer

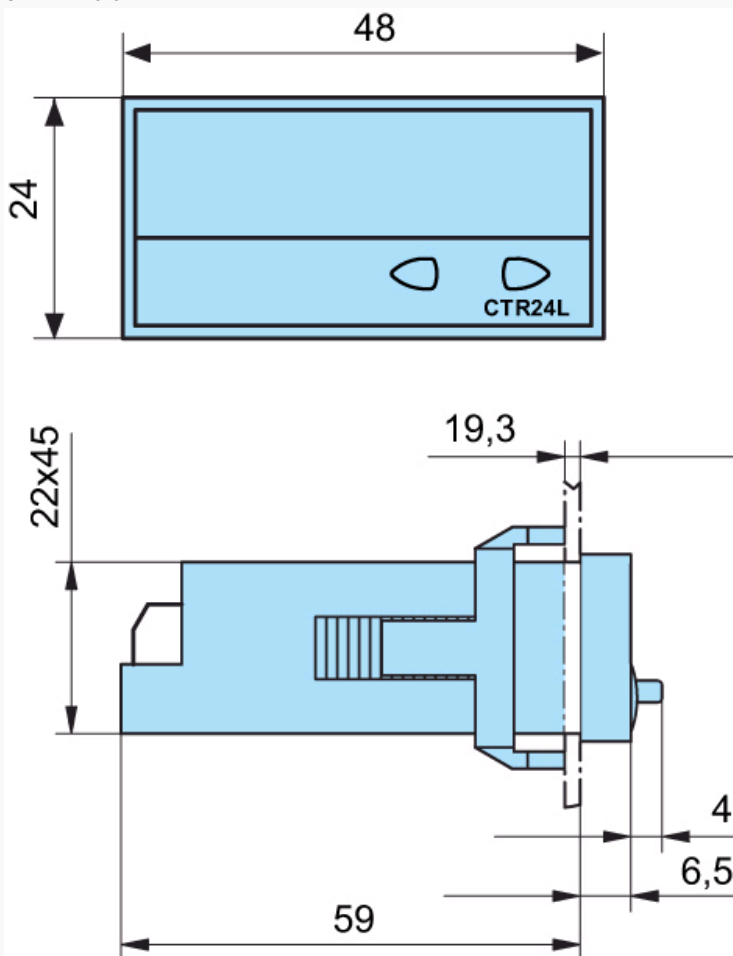
Display details	0 → 999 999
Elimination of non-significant zeros	■
Conversion time	1/s or 1/min
Input INPC	Dynamic
Accuracy	< 0,1 %
Measurement principle	< 38 Hz : measurement of period duration > 38 Hz : measurement with duration time base = 26.3 ms
Scale factor	1 → 99,9999
Scaling factor	1 → 99,9999
Decimal point	0 0.0 0.00 0.000
Maximum counting frequency	30 k Hz

Accessories

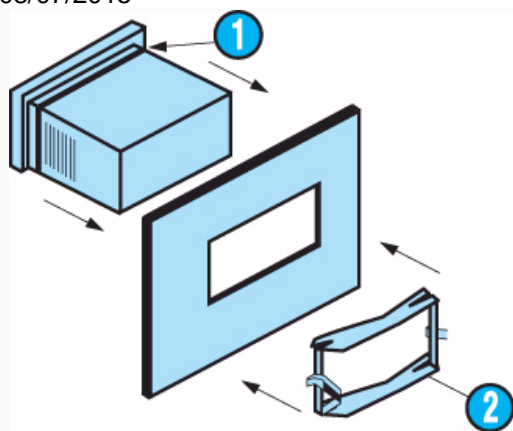
Description	Code
Adaptor for 50 x 25 mm cut-out - Fixed with screws	26546843
Adaptor for 50 x 25 mm cut-out - Fixed with clips	26546844
DIN rail adaptor	26546840
Clip-fixing kit (supplied with the product)	26546848

Dimensions (mm)

CTR24L - 2513

**Dimensions (mm)**

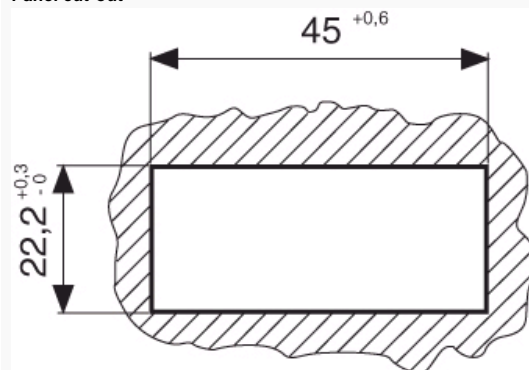
Fixing strip with clip-on yoke



N°	Legend
1	Seal
2	Fixing yoke

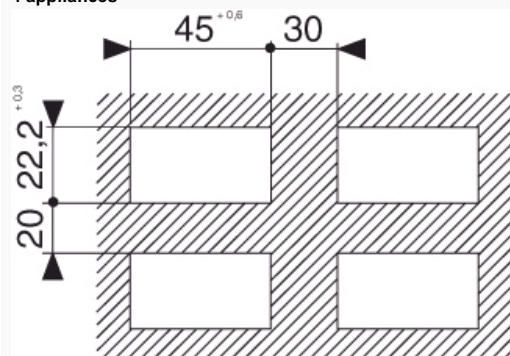
Dimensions (mm)

Panel cut-out



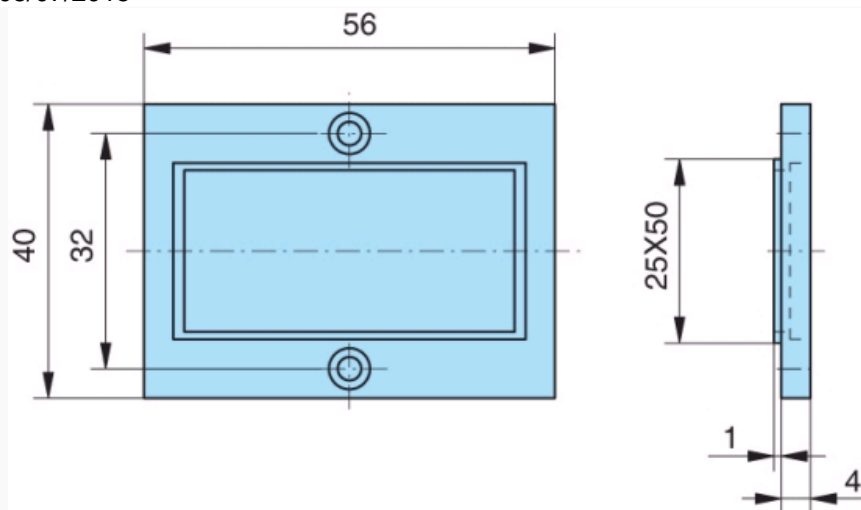
Dimensions (mm)

4 appliances

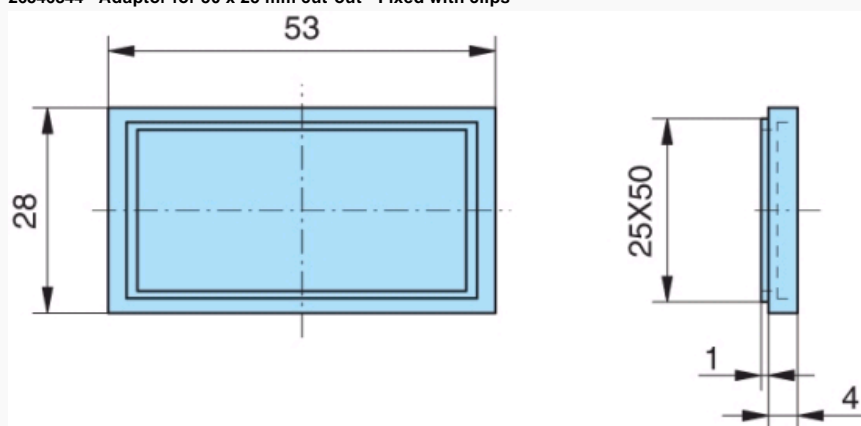


Dimensions (mm)

26546843 - Adaptor for 50 x 25 mm cut-out - Fixed with screws

**Dimensions (mm)**

26546844 - Adaptor for 50 x 25 mm cut-out - Fixed with clips



Accessory supplied with the counter

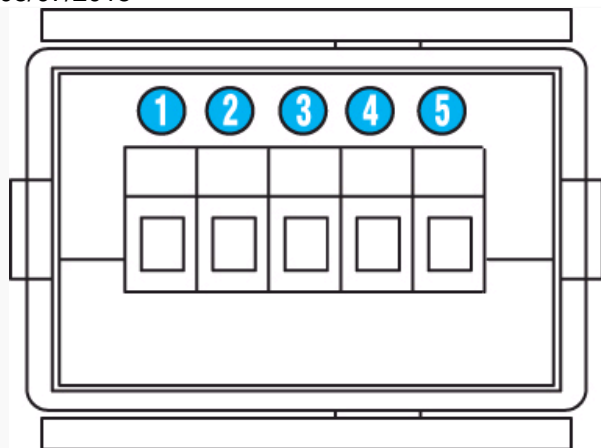
Dimensions (mm)

26546840 - DIN rail adaptor



Accessory supplied with the counter

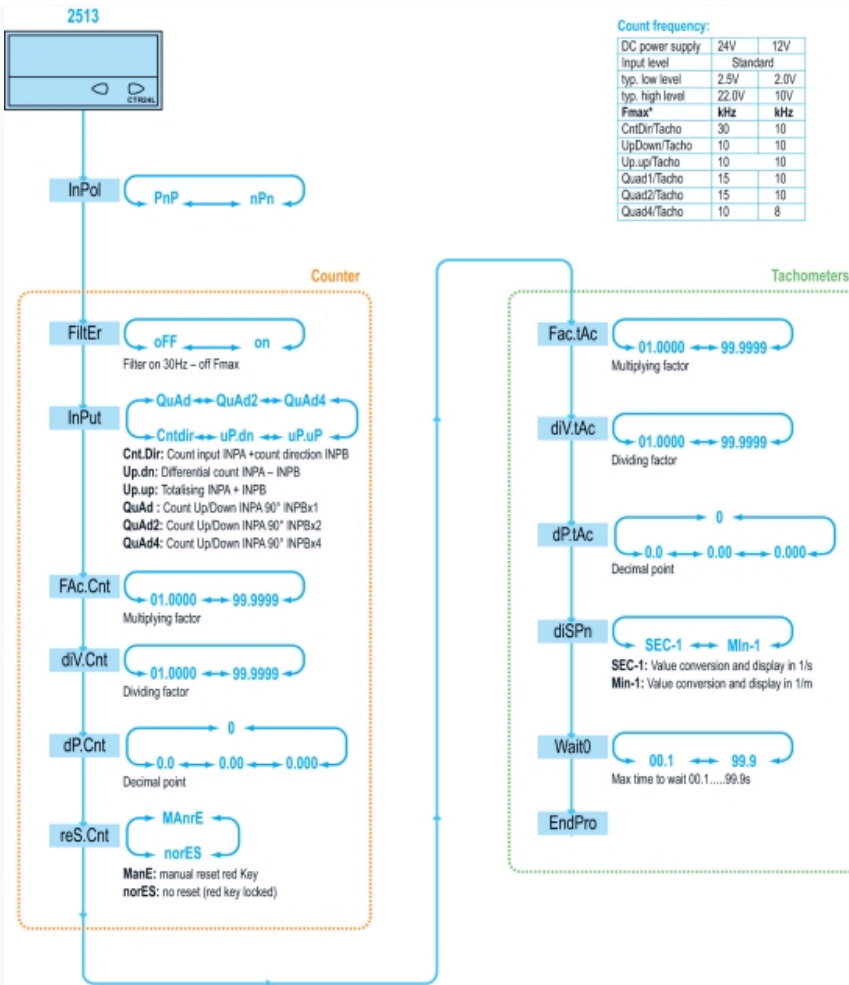
Connections



N°	Legend
1	Supply : 10 →30 VDC
2	Supply : GND (0 VDC)
3	INPA (Counter)
4	INPB (Counter)
5	INPC (Tachometer)

Applications

Programming diagram



SELECTION OF THE DISPLAYED VALUE

