

## DESCRIPTION

The MP4032-1 is a TRIAC-dimmable, primary-side-controlled, offline, LED lighting driver with an integrated 500V MOSFET. It can achieve a high power factor and accurate LED current control for lighting applications in a single-stage converter. The proprietary real-current control can accurately control the secondary-side LED current using primary-side information. It simplifies LED lighting systems and increases efficiency by removing the secondary feedback components and the current-sensing resistor.

The MP4032-1 has a power-factor-correction function and works in boundary-conduction mode that reduces power losses. The DRAIN pin can supply current to the internal charging circuit for start-up without a perceptible delay. The proprietary dimming control extends the TRIAC-based dimming range.

The multiple protections greatly enhance system reliability and safety. These protections include VCC under-voltage lockout, LED over-voltage and over-current protections, short-circuit protection, and over-temperature protection.

The MP4032-1 is available in an SOIC8-7A package.

## FEATURES

- Real Current Control without Secondary Feedback Circuit
- Internal MOSFET with 500V High Voltage Rating
- Less than 6W Output Power
- Internal Charging Circuit for Fast Start-Up
- Accurate Line Regulation
- Flicker-Free, Phase-Controlled TRIAC Dimming with Extended Dimming Range
- High Power Factor
- Boundary-Conduction Mode
- VCC UVLO
- Cycle-by-Cycle Current Limiting
- Over-Voltage Protection
- Short-Circuit Protection
- Over-Temperature Protection
- Available in SOIC8-7A Package

## APPLICATIONS

- Solid-State Lighting
- Industrial and Commercial Lighting
- Residential Lighting

All MPS parts are lead-free and adhere to the RoHS directive. For MPS green status, please visit MPS website under Products, Quality Assurance page.

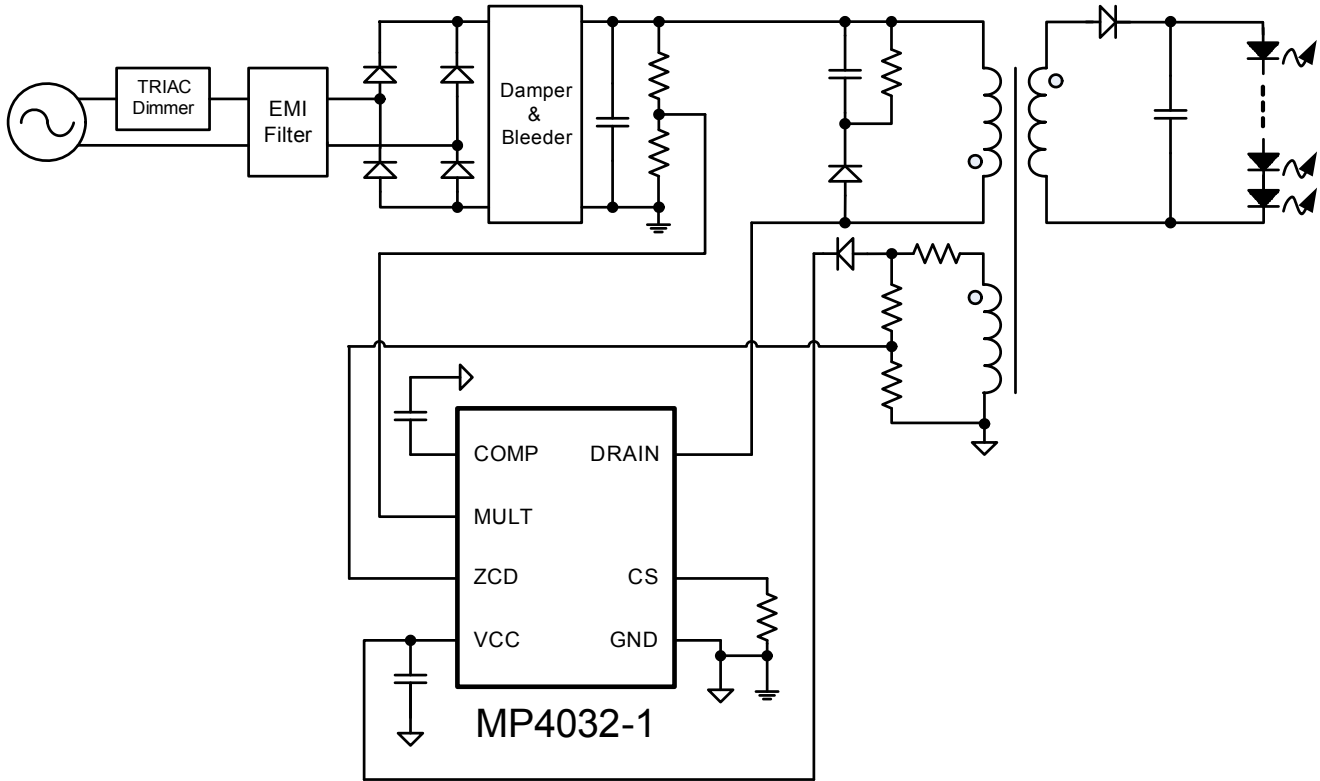
"MPS" and "The Future of Analog IC Technology" are registered trademarks of Monolithic Power Systems, Inc.

The MP4032-1 is patent pending.



**Warning:** Although this board is designed to satisfy safety requirements, the engineering prototype has not been agency approved. Therefore, all testing should be performed using an isolation transformer to provide the AC input to the prototype board.

**TYPICAL APPLICATION**

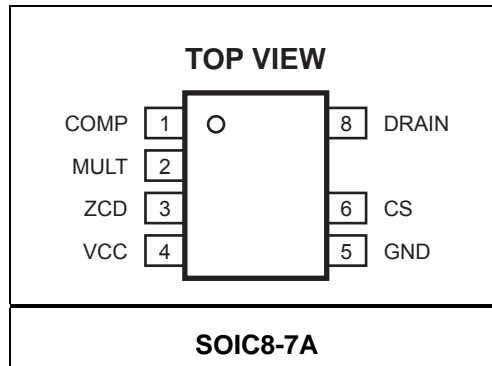


## ORDERING INFORMATION

Part Number*	Package	Top Marking
MP4032-1GS	SOIC8-7A	MP4032-1

\* For Tape & Reel, add suffix -Z (e.g. MP4032-1GS-Z)

## PACKAGE REFERENCE



### ABSOLUTE MAXIMUM RATINGS <sup>(1)</sup>

$V_{CC}$ .....	-0.3V to +30V
ZCD Pin .....	-7V to +7V
Drain-Source Voltage .....	-0.3V to +500V
Continue Drain Current .....	1A
Other Analog Inputs and Outputs ...	-0.3V to +7V
Continuous Power Dissipation ( $T_A = +25^\circ\text{C}$ ) <sup>(2)</sup>	1.3W
Junction Temperature .....	150°C
Lead Temperature .....	260°C
Storage Temperature .....	-65°C to +150°C

### Recommended Operating Conditions <sup>(3)</sup>

Supply Voltage $V_{CC}$ .....	10.3V to 27V
Operating Junction Temp. (TJ) .....	-40°C to +125°C

Thermal Resistance <sup>(4)</sup>	$\theta_{JA}$	$\theta_{JC}$
SOIC8-7A .....	96	45 ... °C/W

#### Notes:

- Exceeding these ratings may damage the device.
- The maximum allowable power dissipation is a function of the maximum junction temperature  $T_J(\text{MAX})$ , the junction-to-ambient thermal resistance  $\theta_{JA}$ , and the ambient temperature  $T_A$ . The maximum allowable continuous power dissipation at any ambient temperature is calculated by  $P_D(\text{MAX}) = (T_J(\text{MAX}) - T_A) / \theta_{JA}$ . Exceeding the maximum allowable power dissipation will cause excessive die temperature, and the regulator will go into thermal shutdown. Internal thermal shutdown circuitry protects the device from permanent damage.
- The device is not guaranteed to function outside of its operation conditions.
- Measured on JESD51-7 4-layer board.

## ELECTRICAL CHARACTERISTICS

$V_{CC} = 16V$ ,  $T_A = +25^\circ C$ , unless otherwise noted.

Parameter	Symbol	Condition	Min	Typ	Max	Units
<b>Supply Voltage</b>						
Operating Range	$V_{CC}$	After turn-on	10.3		27	V
Turn-On Threshold	$V_{CC\_ON}$	$V_{CC}$ rising	13.3	13.8	14.3	V
Drain-Charger Starting Threshold	$V_{CC\_CHG\_NF}$	$V_{CC}$ falling, no fault	8.9	9.4	9.9	V
	$V_{CC\_CHG\_F}$	$V_{CC}$ falling, fault occurs	7.1	7.5	7.9	V
Hysteresis Voltage	$V_{CC\_ON\_CHG\_HYS}$			4.5		V
	$V_{CC\_CHG\_HYS}$			2		V
<b>Supply Current</b>						
Drain Charger Supply Current	$I_{CC\_CHARGE}$	Before system turns on	4.5	6	7.5	mA
Start-Up Current	$I_{STARTUP}$			150	195	$\mu A$
Quiescent Current	$I_Q$	No switching		900	970	$\mu A$
		No switching, fault hiccup		500	570	$\mu A$
Operating Current	$I_{CC}$	$f_s = 70kHz$		1	1.1	mA
<b>Multiplier</b>						
Operation Range	$V_{MULT}$		0		3	V
Gain	$K^{(5)}$		0.8	1	1.2	1/V
<b>Error Amplifier</b>						
Reference Voltage	$V_{REF}$		0.389	0.403	0.417	V
Transconductance <sup>(6)</sup>	$G_{EA}$			125		$\mu A/V$
Lower Clamp Voltage	$V_{COMP\_L}$		1.83	1.9	1.97	V
Max. Source Current <sup>(6)</sup>	$I_{COMP\_SOURCE}$			50		$\mu A$
Max. Sink Current <sup>(6)</sup>	$I_{COMP\_SINK}$			-350		$\mu A$
COMP OCP Threshold	$V_{COMP\_OCP}$	$V_{COMP}$ rising edge	4.8	5	5.2	V
<b>Current Sense Comparator</b>						
Leading-Edge Blanking Time	$\tau_{LEB}$		220	310	400	ns
Current Sense Upper Clamp Voltage	$V_{CS\_CLAMP\_H}$		2.17	2.27	2.37	V
Current Sense Lower Clamp Voltage	$V_{CS\_CLAMP\_L}$		115	145	175	mV
Feedback Gain	$K_{CS}$	130 $\mu s$ auto-switching mode & the output of Multiplier is <0.25V		0.05		
		Other conditions		1		
<b>Zero Current Detector</b>						
Zero Current Detect Threshold	$V_{ZCD\_T}$	$V_{ZCD}$ falling edge	0.32	0.35	0.38	V
Zero Current Detect Hysteresis	$V_{ZCD\_HYS}$			0.55		V
ZCD Blanking Time	$\tau_{LEB\_ZCD}$	After turn-off	1.95	2.65	3.35	$\mu s$
Over-Voltage Blanking Time	$\tau_{LEB\_OVP}$	After turn-off	1.35	1.9	2.45	$\mu s$
Over-Voltage Threshold	$V_{ZCD\_OVP}$	1.9 $\mu s$ delay after turn-off	5.1	5.3	5.5	V

**ELECTRICAL CHARACTERISTICS** *(continued)*
 $V_{CC} = 16V$ ,  $T_A = +25^{\circ}C$ , unless otherwise noted.

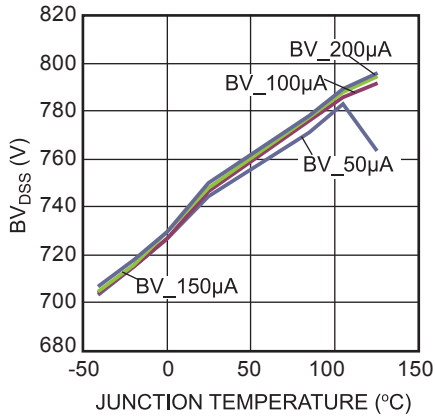
Parameter	Symbol	Condition	Min	Typ	Max	Units
<b>Zero Current Detector</b>						
Minimum Off Time	$\tau_{OFF\_MIN}$		4.2	5.6	7	$\mu s$
<b>Internal MOSFET</b>						
Drain-Source Breakdown Voltage	$BV_{DSS}$	$V_{CC} < 6V$ , $I_D = 10\mu A$	500			V
Drain-Source On-Resistance	$R_{DS(ON)}$	$V_{CC} = 16V$ , $I_D = 200mA$	$T_J = 25^{\circ}C$	6.5	9	$\Omega$
			$T_J = 125^{\circ}C$	10.5	14	
		$V_{CC} = UVLO + 80mV$ , $I_D = 200mA$	$T_J = 25^{\circ}C$	7	9.5	
			$T_J = 125^{\circ}C$	11	15	
<b>TRIAC Phase Dimming</b>						
Maximum Dimming Phase		The max setting brightness	74	75	76	%
Dimming Detect Threshold	$V_{MULT\_H}$	$V_{MULT}$ rising edge	0.305	0.335	0.365	V
	$V_{MULT\_L}$	$V_{MULT}$ falling edge	0.12	0.145	0.17	V
<b>Starter</b>						
Start Timer Period	$\tau_{START}$		105	130	155	$\mu s$

**Notes:**

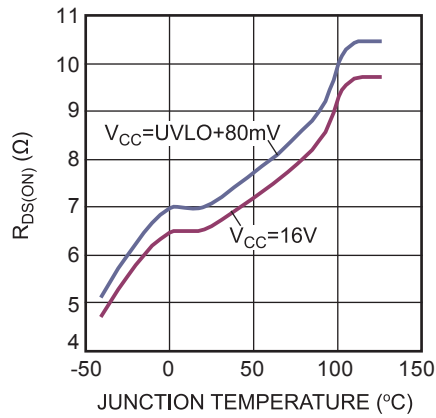
- 5) The multiplier output is given by:  $V_{CS} = K \cdot V_{MULT} \cdot (V_{COMP} - 1.5)$   
 6) Guaranteed by design.

## TYPICAL CHARACTERISTICS

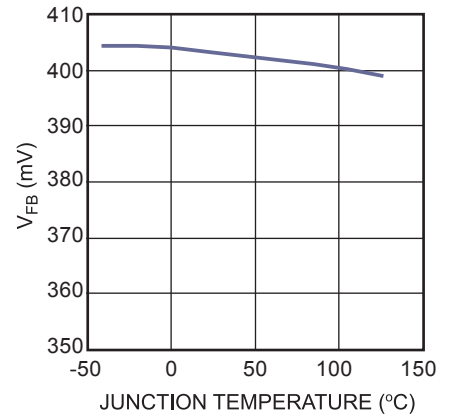
**Breakdown Voltage vs. Junction Temperature**



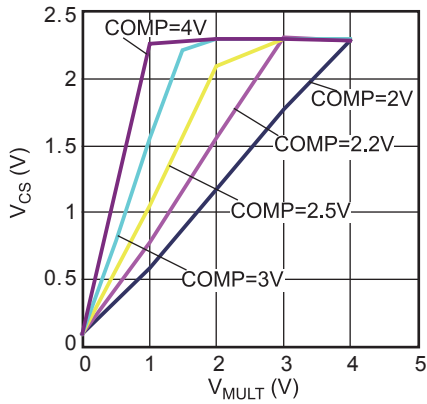
**Drain-Source On-Resistance vs. Junction Temperature**



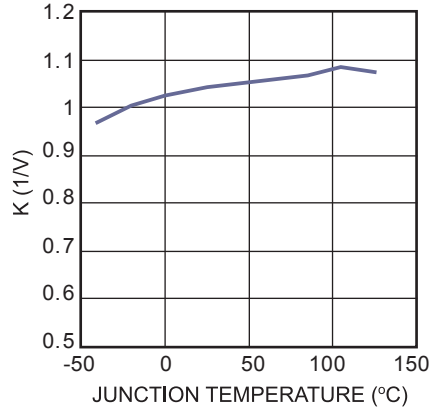
**Feedback Voltage vs. Junction Temperature**



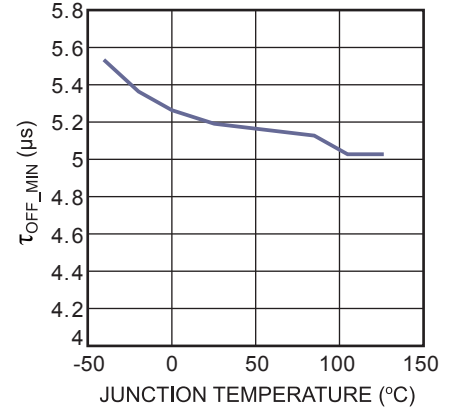
**The Curve of Multiplier Gain (K) Multiplier Gain (K) vs. Junction Temperature**



**Multiplier Gain (K) vs. Junction Temperature**



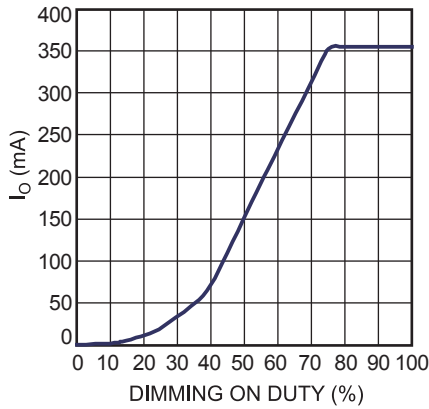
**Minimum Off Time vs. Junction Temperature**



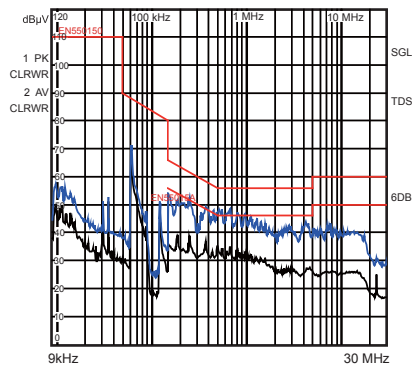
## TYPICAL PERFORMANCE CHARACTERISTICS

$V_{IN}=120VAC$ ,  $I_O=350mA$ ,  $V_O=18V$ , 6LEDs in series,  $L_m=2.6mH$ ,  $N_p:N_s:N_{aux}=96:16:20$ , TRIAC dimmable, without ripple suppressor.

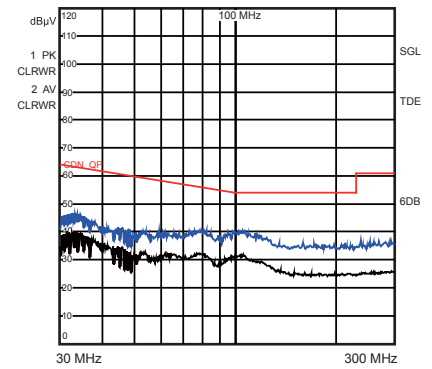
### Dimming Curve



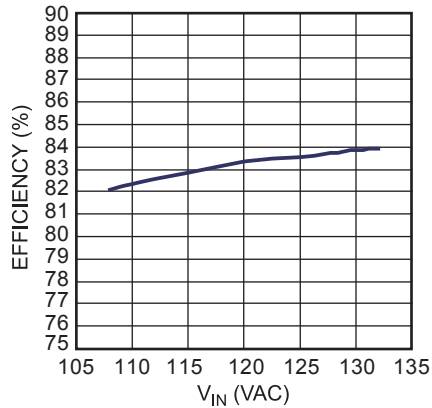
### Conducted EMI



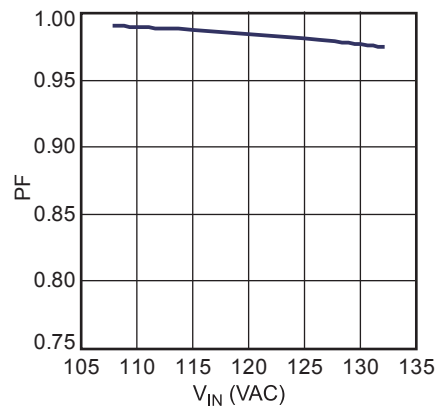
### CDN



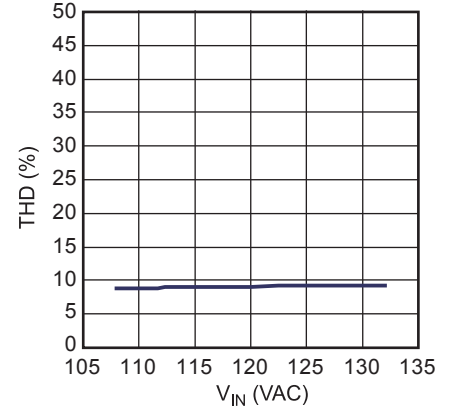
### Efficiency vs. $V_{IN}$



### PF vs. $V_{IN}$



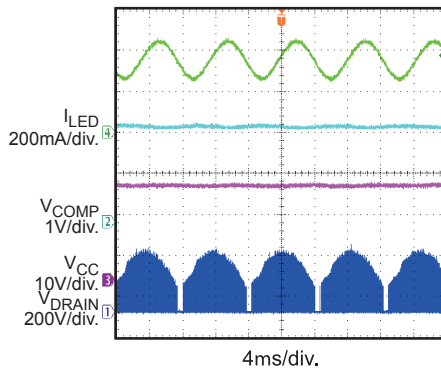
### THD vs. $V_{IN}$



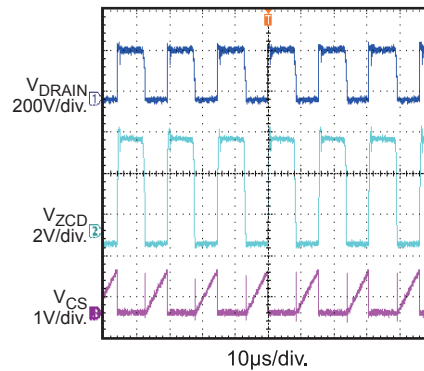
## TYPICAL PERFORMANCE CHARACTERISTICS *(continued)*

$V_{IN}=120VAC$ ,  $I_O=350mA$ ,  $V_O=18V$ , 6LEDs in series,  $L_m=2.6mH$ ,  $N_p:N_s:N_{aux}=96:16:20$ , TRIAC dimmable, without ripple suppressor.

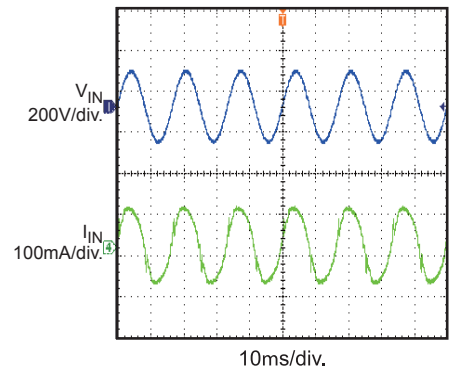
Steady State



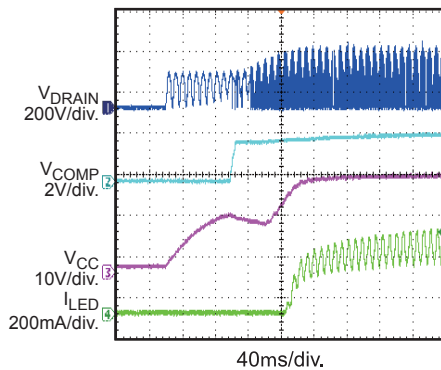
Steady State



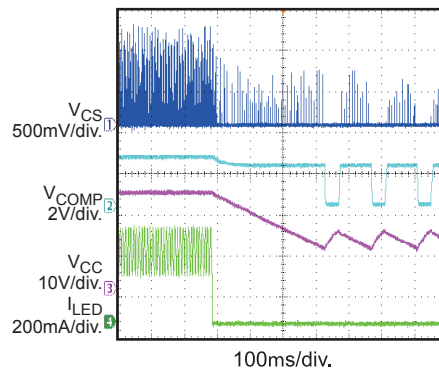
Steady State



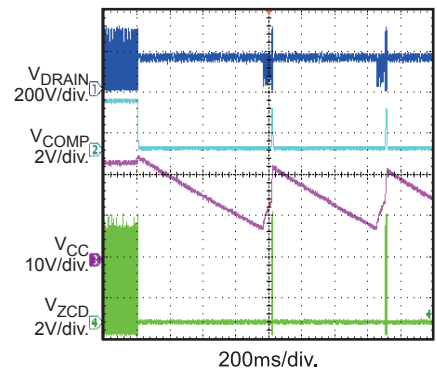
$V_{IN}$  Start Up



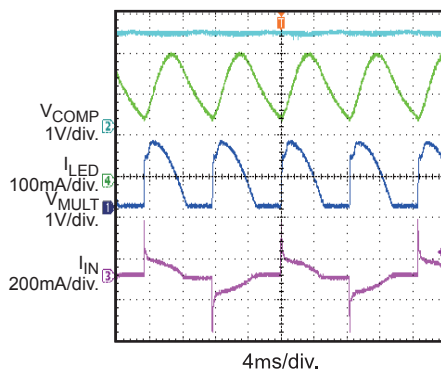
Short Circuit Protection  
LED+ Short to LED- When Working



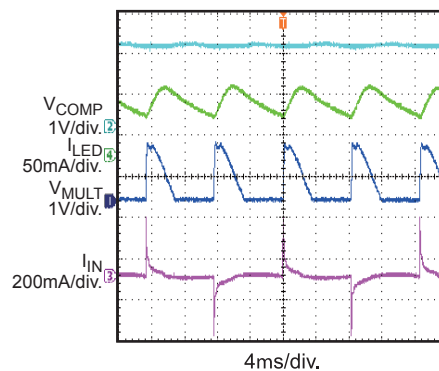
Over Voltage Protection  
LED Load Open When Working



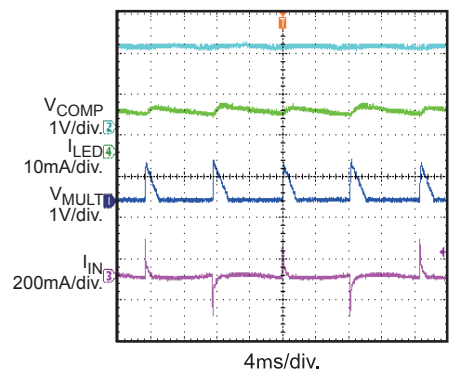
Triac Dimming  
DUTY = 60%



Triac Dimming  
DUTY = 40%



Triac Dimming  
DUTY = 20%





## PIN FUNCTIONS

Pin #	Name	Pin Function
1	COMP	<b>Loop Compensation.</b> Connects a compensation network to stabilize the LED driver and get an accurate LED driver current.
2	MULT	<b>Multiplier Input.</b> Connect this pin to the tap of resistor divider from the rectified voltage of the AC line. The half-wave sinusoid signal on this pin provides a reference signal for the internal current control loop.
3	ZCD	<b>Zero Current Detection Input.</b> A negative going-edge triggers the turn-on signal of the internal MOSFET. Connect this pin to a resistor divider between the auxiliary winding to GND. Over-voltage condition is detected through ZCD. For each switching turn-off interval, if the ZCD voltage exceeds the over-voltage-protection (OVP) threshold after the 1.9 $\mu$ s blanking time, OVP will trigger and the system will stop switching until auto-restart.
4	VCC	<b>Power Supply Input.</b> Powers both the control signal and the internal high-voltage MOSFET gate driver. Bypass to ground with an external bulk capacitor (typically 22 $\mu$ F) to reduce ripple.
5	GND	<b>Ground.</b> Current return for the control signal and the gate drive signal.
6	CS	<b>Internal MOSFET Source and Current Sense Input.</b> Connect a current-sensing resistor from this pin to GND to set the LED current. Senses the MOSFET current. Comparing the resulting voltage and the internal sinusoidal-current reference signal determines when the MOSFET turns off. If the pin voltage exceeds the current limit threshold of 2.27V (after turn-on blanking) the gate drive will turn off.
7	NC	
8	DRAIN	<b>Drain of the Internal MOSFET.</b> Provides charging current from the rectified AC line voltage to VCC for start-up.

FUNCTION DIAGRAM

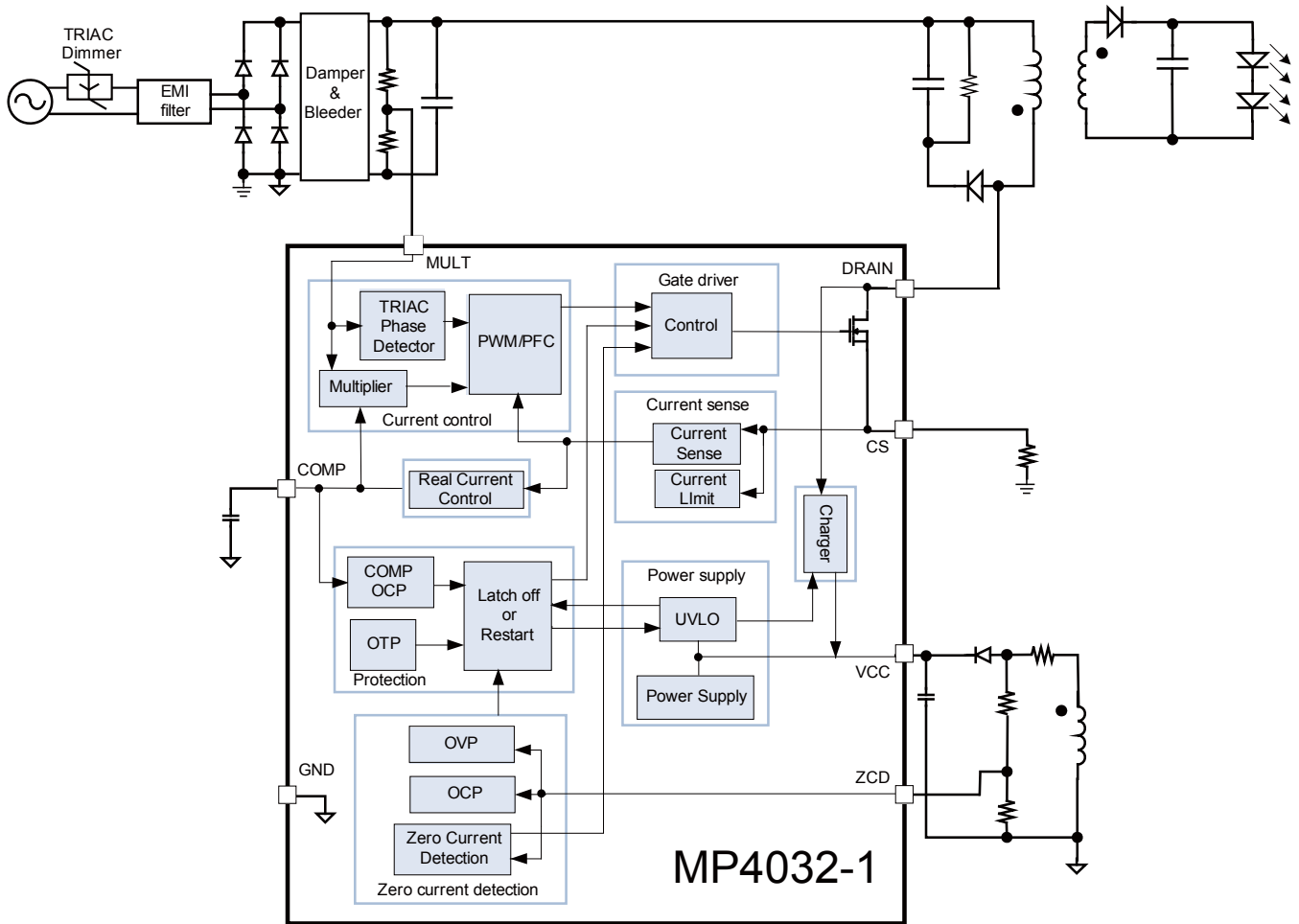


Figure 1: Functional Block Diagram

## OPERATION

The MP4032-1 is a TRIAC-dimmable, primary-side-controlled, offline, LED driver with an integrated high-voltage MOSFET. It incorporates multiple features specifically for high-performance LED lighting. It uses a real-current-control method using primary-side information to accurately control LED current. It can achieve a high power factor to eliminate pollution on the AC-line.

### System Start-Up and Power Supply

The VCC pin supplies power to both the control signal and the gate drive signal. After connecting the AC line, the VCC capacitor charges from the DRAIN pin through an internal high-voltage DRAIN charger. Once VCC reaches 13.8V, the control logic initiates and the gate drive signal forces the integrated high-voltage power MOSFET to begin switching for normal operation. Meanwhile, the DRAIN charger stops. The auxiliary winding takes over the power supply after charging.

If VCC drops below 9.4V without fault, the DRAIN charger resumes function to charge VCC back to 13.8V. If a fault occurs, the system stops switching and the auto-restart function activates once VCC drops to 7.5V.

### Power-Factor Correction

The MULT pin connects to the tap of the resistor divider from the rectified instantaneous line voltage. It is one of the inputs of the Multiplier. The multiplier's output has a sinusoidal shape. This signal provides the reference for the current comparator, and is compared with the primary-side inductor current sensed by the CS pin: The CS pin shapes the primary-peak-current envelope sinusoid to match the input line voltage. This control method can achieve a high power factor.

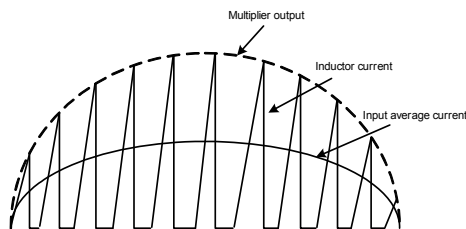


Figure 2: Power-Factor Correction

The maximum voltage of the multiplier output to the current comparator is clamped to 2.27V to limit the cycle-by-cycle current.

### Boundary-Conduction Mode

During the internal MOSFET ON time ( $\tau_{ON}$ ), the rectified input voltage ( $V_{BUS}$ ) applies to the primary-side inductor ( $L_m$ ), and the primary current ( $I_{pri}$ ) increases linearly from zero to the peak value ( $I_{pk}$ ). When the internal MOSFET turns off, the energy stored in the inductor transfers to the secondary side and turns on the secondary-side diode to power the load. The secondary current ( $I_{sec}$ ) then decrease linearly from the peak value to zero. When the secondary current reaches zero, the primary-side leakage inductance, magnetizing inductance and all the parasitic capacitances decrease the MOSFET drain-source voltage—this decrease is also reflected on the auxiliary winding (see Figure 3). The zero-current detector on the ZCD pin generates the internal MOSFET's turn-on signal when the ZCD voltage falls below 0.35V, and ensures that the MOSFET turns on at a valley voltage (see Figure 4).

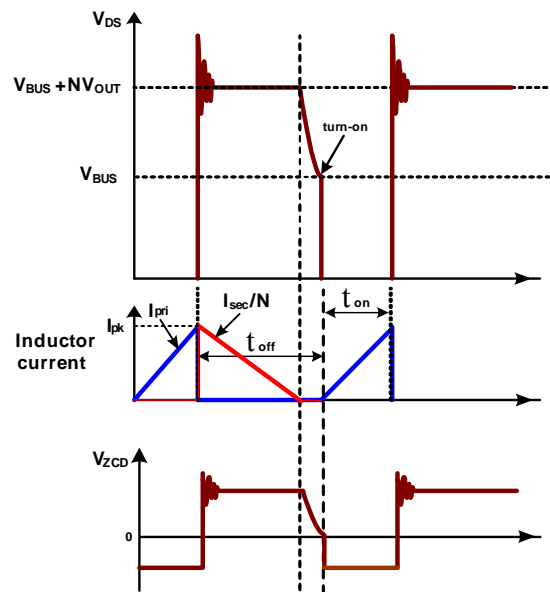
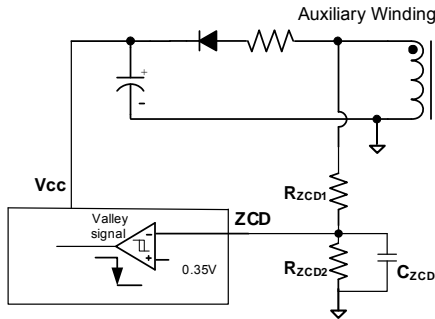


Figure 3: Boundary-Conduction Mode


**Figure 4: Zero-Current Detector**

As a result, there are virtually no primary switch turn-on losses and no secondary diode reverse-recover losses. It ensures high efficiency and low EMI noise.

### Real-Current Control

The proprietary real-current control allows the MP4032-1 to control the secondary-side LED current by sampling the primary-side information through the CS sensing resistor. The mean output LED current is approximately:

$$I_o \approx \frac{N \cdot V_{FB}}{2 \cdot R_s}$$

Where:

N is the turn ratio of primary side to secondary side

$V_{FB}$  is the internal reference voltage (typically 0.403V)

$R_s$  is the sensing resistor connected between the CS pin and GND.

### Auto Start

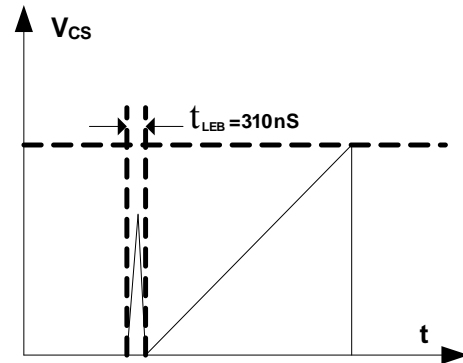
The MP4032-1 integrates an auto starter. The starter begins a timer when the MOSFET turns on. If ZCD fails to send out another turn-on signal after 130 $\mu$ s, the starter will automatically send a turn-on signal to avoid unnecessary IC shutdowns from a missed zero-current detection.

### Minimum Off Time

The MP4032-1 operates with variable switching frequency. The frequency changes with the instantaneous input line voltage. To limit the maximum frequency and improve EMI performance, the MP4032-1 employs an internal minimum off-time limiter, with a minimum off-time of 5.6 $\mu$ s.

### Leading-Edge Blanking

An internal leading-edge blanking (LEB) unit is employed between the CS pin and the current comparator input to prevent the switching pulse from prematurely terminating due to parasitic capacitance discharge when the MOSFET turns on. During the blanking time, the path from the CS pin to the current comparator input is blocked. Figure 5 shows the leading-edge blanking.


**Figure 5: Leading-Edge Blanking**

### Output Over-Voltage Protection (OVP)

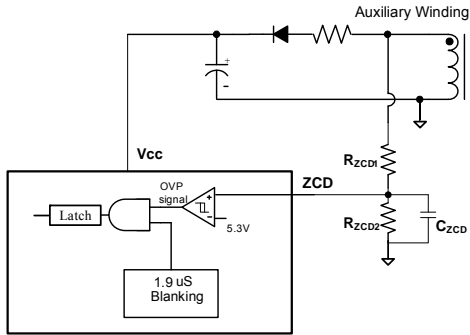
Output over-voltage protection can prevent component damage during an over-voltage condition. Since the auxiliary winding's positive voltage plateau is proportional to the output voltage, OVP uses the auxiliary winding voltage through the ZCD over-voltage detector instead of directly monitoring the output voltage. The OVP sampling unit is shown in Figure 6. Once the ZCD pin voltage exceeds 5.3V, the OVP signal triggers and latches, the gate driver turns off, and the IC functions in quiescent mode until the VCC voltage drops to 7.5V, which causes the system to restart. The output OVP setting point can be calculated as:

$$V_{OUT\_OVP} \cdot \frac{N_{AUX}}{N_{SEC}} \cdot \frac{R_{ZCD2}}{R_{ZCD1} + R_{ZCD2}} = 5.3V$$

$V_{OUT\_OVP}$  is the output over-voltage protection threshold,

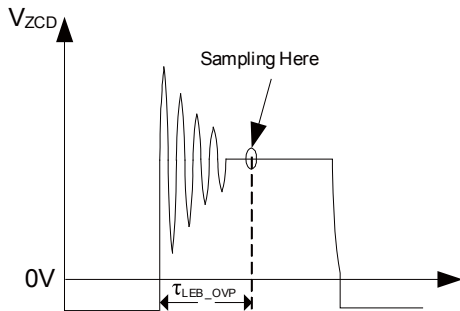
$N_{AUX}$  is the number of auxiliary winding turns

$N_{SEC}$  is the number of secondary winding turns.



**Figure 6: Over-Voltage Sampling Unit**

To avoid an oscillation spike mis-triggering the OVP after the switch turns off, the OVP has a blanking period, as shown in Figure 7. The blanking period ( $\tau_{LEB\_OVP}$ ) is typically 1.9 $\mu$ s.



**Figure 7: ZCD Voltage and OVP Sampling**

### Over-Current Protection

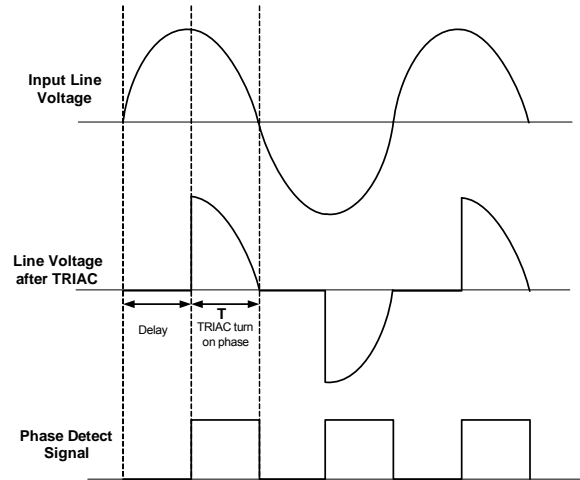
The MP4032-1 clamps the CS pin voltage <2.27V to limit the available output power. If a short circuit on the secondary-side occurs, the ZCD pin can't detect the zero-crossing signal and triggers a 130 $\mu$ s auto-restart process. The COMP voltage drops and the primary-side-peak current falls, thus limiting the SC current. Meanwhile, the auxiliary winding voltage falls following the secondary winding voltage,  $V_{CC}$  drops below 9.4V, and the system restarts. Furthermore, once the COMP level exceeds 5V, the COMP OCP triggers and the system stops switching until  $V_{CC}$  drops to 7.5V UVLO, and the system auto-restarts.

### Thermal Shutdown

To prevent thermal damage, the MP4032-1 shuts off switching and remains latched once the inner temperature exceeds the OTP threshold. When  $V_{CC}$  drops below 7.5V, the system restarts.

### TRIAC-Phase Dimming

The MP4032-1 can implement TRIAC-based dimming. As shown in Figure 8, the TRIAC dimmer is a bi-directional SCR with an adjustable turn-on phase. The MP4032-1 detects the dimming phase signal on the MULT pin that feeds the signal into the control loop for the dimming control.



**Figure 8: TRIAC-Phase Detection Signal for a Leading-Edge TRIAC Dimmer**

## APPLICATION INFORMATION

### Components Selection

(Please refer to Application Note AN055 for detailed design)

#### Input EMI Filter

Select EMI component values to pass EMI test standards, as well as to account for the power factor and inrush current when dimming turns on. The input capacitance plays a primary role: a small input capacitance can increase the power factor and decrease the inrush current, so select a relatively small X capacitor.

#### Input Bridge

The input bridge can use standard, slow-recovery, low-cost diodes. When selecting diodes, take into account these three items: the maximum input RMS current; the maximum-input-line voltage; and thermal performance.

#### Input Capacitor

The input capacitor mainly provides the transformer's switching frequency magnetizing current. The maximum current occurs at the peak of the input voltage. Limit the capacitor's maximum high-frequency voltage ripple to 10%, or the voltage ripple may cause more primary-peak-current spikes and degrade both the power loss and the EMI performance.

$$C_{in} > \frac{I_{pk\_max} - \sqrt{2}I_{pri\_rms\_max}}{2 \cdot \pi \cdot f_{s\_min} \cdot V_{ac\_min} \cdot 0.1}$$

Input capacitor selection requires taking into account the EMI filter, the power factor, and the surge current at the dimming turn-on time. A large capacitor improves EMI, but limits the power factor and increases the inrush current.

#### Passive Bleeder and Active Damper

Since the LED lamp impedance is relatively large, significant ringing occurs when the leading-edge TRIAC dimmer turns on due to an inrush current charging the input capacitance. The ringing may cause the TRIAC current to fall below the holding current and turn off the TRIAC dimmer, which can cause flickering.

The typical application circuit incorporates both a

passive bleeder and an active damping circuit to address this issue. The design details can be found in the corresponding design tools.

#### Transformer

After accounting for the ratings of the primary MOSFET and the secondary rectifier diode, some applications allow for a range of turn ratios  $N$  to be selected, which then requires the following considerations: a small  $N$  leads to a poor THD; a large  $N$  leads to a larger primary inductance and a physically larger transformer.

Usually, the system will define a minimum frequency  $f_{s\_min}$  at the peak of  $V_{ac\_min}$ . So setting the value of  $f_{s\_min}$  can get the primary inductance  $L_p$ . The design details can also be found in the design tools.

#### RCD Snubber

The peak voltage across the MOSFET at turn-off includes the instantaneous input-line voltage, the voltage reflected from the secondary side, and the voltage spike due to the leakage inductance. The RCD snubber protects the MOSFET from over-voltage damage by absorbing the leakage inductance energy and clamping the drain voltage. The design details can be found in the corresponding design tools.

#### Secondary Rectifier Diode

Choose a diode with an appropriate reverse-voltage rating and current rating. The reverse recovery of the freewheeling diode can affect the efficiency and circuit operation, and a Schottky or ultra-fast diode is recommended.

#### Output Capacitor

The output voltage ripple has two components: the switching-frequency ripple associated with the flyback converter, and the low-frequency ripple associated with the input-line voltage (120Hz). Selecting the output bulk capacitor depends on the LED current ripple, the allowable overvoltage and the desired voltage ripple.

Meanwhile, a pre-load resistor is necessary to discharge the output voltage under open-load conditions.

### MULT Pin Resistor Divider

The MULT pin resistor divider requires careful tuning because the MULT voltage determines the COMP voltage level, which directly influences the dimming curve and performance. Test the estimated divider values with different types of TRIAC dimmers to determine precise resistor values: typically use the divider for a COMP level of 2.3V at 120VAC input.

Add a ceramic X7R capacitor to the MULT pin to absorb the switching-frequency ripple on the MULT voltage for accurate dimming-phase detection. Increasing the capacitance can further smooth the MULT voltage, but increase the input-line voltage phase shift and diminish the power factor. Typical values are between 2.2nF and 8.2nF.

### VCC Power Supply

After the system starts up, the auxiliary winding takes over the VCC power supply through a rectifying diode with a relatively small current-limiting resistor because of the limited power dissipation. The bulk capacitor stabilizes the VCC voltage to limit the ripple—most applications use 22μF. Use the following equation to determine the voltage rating of the rectifying diode:

$$V_D > VCC_{\max} + \frac{N_{\text{aux}}}{N_p} \cdot V_{\text{in\_max}} + V_{\text{aux\_negative\_spike}}$$

Where  $VCC_{\max}$  is the maximum VCC voltage, typically 27V,  $N_{\text{aux}}$  and  $N_p$  are the auxiliary winding and primary winding turns,  $V_{\text{aux\_negative\_spike}}$  is the maximum negative spike on auxiliary winding.

### Layout Guide

PCB layout is very important to achieve reliable operation, and good EMI and thermal performance. Follow these guidelines to optimize performance.

- 1) Design a short main-power path. Directly connect the sense resistor GND return to the input capacitor. Use the largest-possible copper pour for the power devices for good thermal performance.
- 2) Separate the power GND and the analog GND, and connect them together only at an IC GND pin.
- 3) Place the components as close as possible to the corresponding IC pins. The ZCD pin bypass capacitor and the COMP pin capacitor have priority.
- 4) Isolate the primary-side and the secondary-side by at least 6mm to meet safety requirements and the Hipot test. Adjust the transformer installation position to keep the primary side far away from secondary side.
- 5) Separate the input high voltage wire from other components and GND to avoid surge failures. Select the pull-down resistors for the BUS line to the active damping circuit and the MULT pin for the DIP package.
- 6) On the secondary side, place the rectifying diode as close as possible to the output filter capacitor, and use a short trace from the transformer output return pin to the return point of the output filter capacitor.

## RIPPLE SUPPRESSOR

(Innovative Proprietary)

For dimming LED lighting application, a single stage PFC converter needs large output capacitor to reduce the ripple whose frequency is double of the Grid. And in deep dimming situation, the LED would have shimmer caused by the dimming on duty which is not all the same in every line cycle. What's more, the Grid has noise or inrush which would bring out shimmer even flicker. Figure 9 shows a ripple suppressor, which can shrink the LED current ripple obviously.

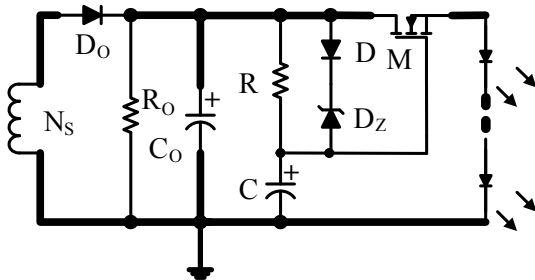


Figure9: Ripple Suppressor

### Principle

Shown in Figure 9, Resistor R, capacitor C, and MOSFET M compose the ripple suppressor. Through the RC filter, C gets the mean value of the output voltage  $V_{Co}$  to drive the MOSFET M. M works in variable resistance area. C's voltage  $V_C$  is steady makes the LEDs voltage is steady, so the LEDs current will be smooth. MOSFET M holds the ripple voltage  $v_{Co}$  of the output.

Diode D and Zener diode  $D_Z$  are used to restrain the overshoot at start-up. In the start-up process, through D and  $D_Z$ , C is charged up quickly to turn on M, so the LED current can be built quickly. When  $V_C$  rising up to about the steady value, D and  $D_Z$  turn off, and C combines R as the filter to get the mean voltage drop of  $V_{Co}$ .

The most important parameter of MOSFET M is the threshold voltage  $V_{th}$  which decides the power loss of the ripple suppressor. Lower  $V_{th}$  is better if the MOSFET can work in variable resistance area. The BV of the MOSFET can be selected as double as  $V_{Co}$  and the Continuous Drain current level can be selected as decuple as the LEDs' current at least.

About the RC filter, it can be selected by  $\tau_{RC} \geq 50/f_{LineCycle}$ . Diode D can select 1N4148,

and the Zener voltage of  $D_Z$  is as small as possible when guarantee  $V_D + V_{DZ} > 0.5 \cdot V_{Co\_PP}$ .

### Optional Protection Circuit

In large output voltage or large LEDs current application, MOSFET M may be destroyed by over-voltage or over-current when LED+ shorted to LED- at working.

### Gate-Source(GS) Over-voltage Protection

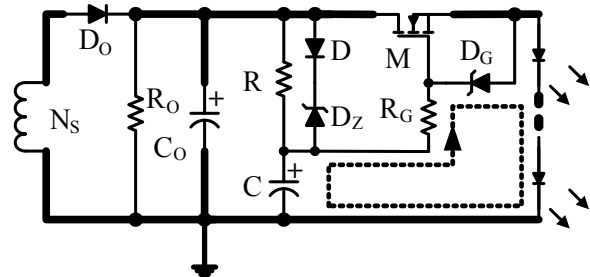


Figure 10: Gate-Source OVP Circuit

Figure 10 shows GS over-voltage protection circuit. Zener diode  $D_G$  and resistor  $R_G$  are used to protect MOSFET M from GS over-voltage damaged. When LED+ shorted to LED- at normal operation, the voltage drop on capacitor C is high, and the voltage drop on Gate-Source is the same as capacitor C. The Zener diode  $D_G$  limits the voltage  $V_{GS}$  and  $R_G$  limits the charging current to protect  $D_G$ .  $R_G$  also can limit the current of  $D_Z$  at the moment when LED+ shorted to LED-.  $V_{DG}$  should bigger than  $V_{th}$ .

### Drain-Source Over-voltage and Over-current Protection

As Figure 11 shows, NPN transistor T, resistor  $R_C$  and  $R_E$  are set up to protect MOSFET M from over-current damaged when output short occurs at normal operation. When LED+ shorted to LED-, the voltage  $v_{DS}$  of MOSFET is equal to the  $v_{Co}$  which has a high surge caused by the parasitic parameter. Zener Diode  $D_{DS}$  protects MOSFET from over-voltage damaged. Transistor T is used to pull down the  $V_{GS}$  of M. When M turns off, the load is opened, then the OVP mode is triggered,



and the IC functions in quiescent. The pull down point is set by  $R_C$  and  $R_E$ :  $R_C/R_E \cdot \frac{V_{CO}}{2} = 0.7V$ .

### MOSFET LIST

In the Table 1, there are some recommended MOSFET for ripple suppressor.

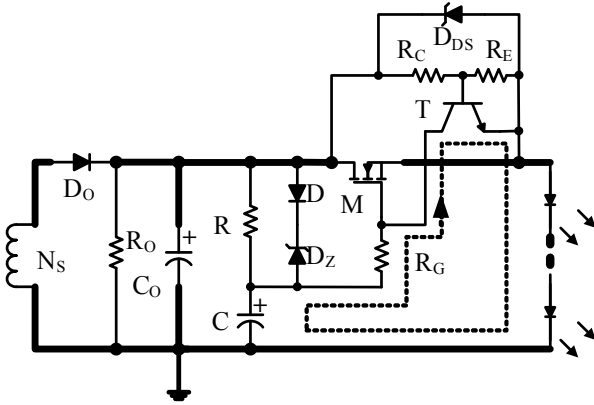


Figure 11: Drain-Source OVP and OCP Circuit

Table 1: MOSFET LIST

Manufacture P/N	Manufacture	$V_{DS}/I_D$	$V_{th}(V_{DS}=V_{GS}@T_J=25^\circ C)$	Package	Power Stage
Si4446DY	Vishay	40V/3A	0.6-1.6V@ $I_d=250\mu A$	SO-8	<10W
FTD100N10A	IPS	100V/17A	1.0-2.0V@ $I_d=250\mu A$	TO-252	5-15W
P6015CDG	NIKO-SEM	150V/20A	0.45-1.20V@ $I_d=250\mu A$	TO-252	10-20W

## TYPICAL APPLICATION CIRCUITS

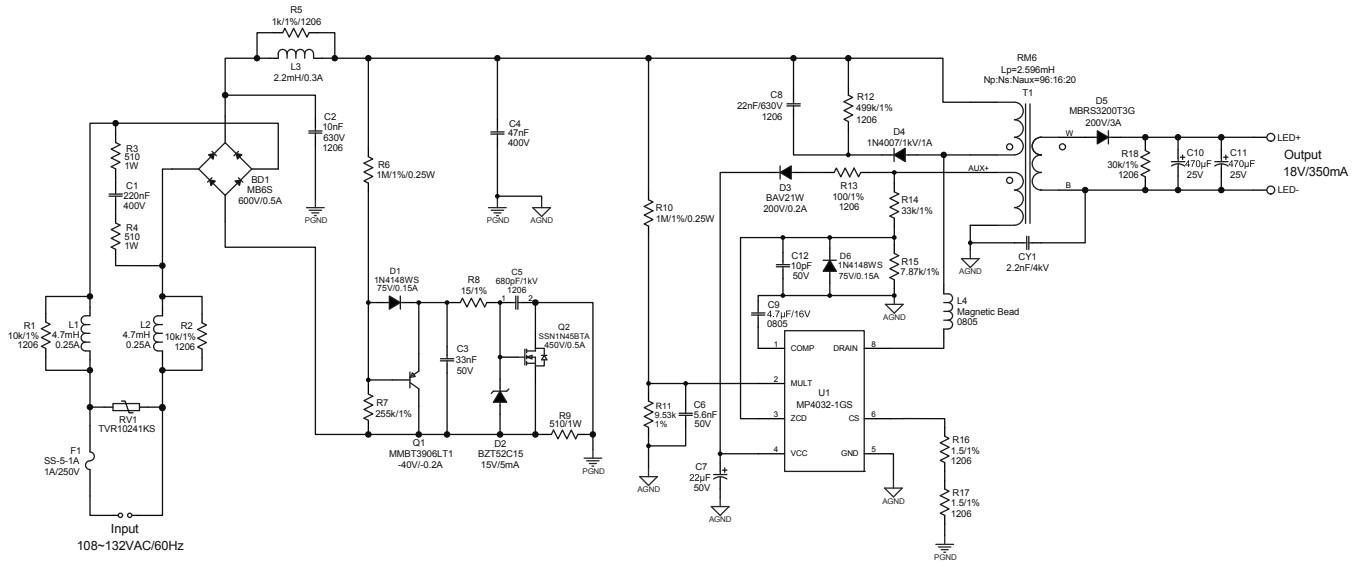
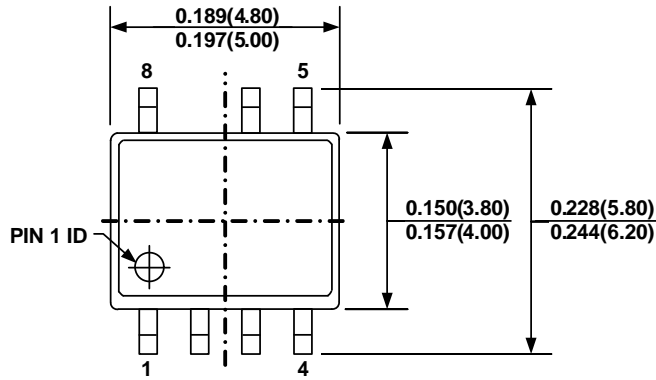


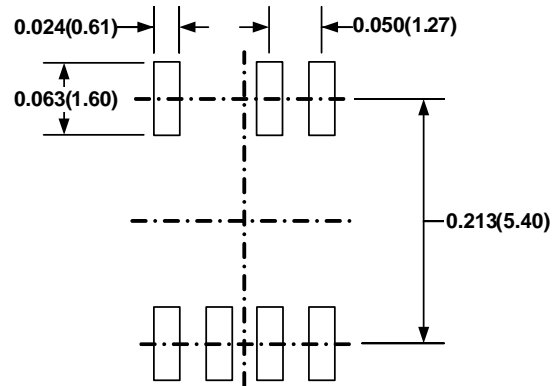
Figure 12: 108VAC-132VAC/60Hz Input Flyback Converter with an 18V/350mA Output for TRIAC-Dimmable Lighting

## PACKAGE INFORMATION

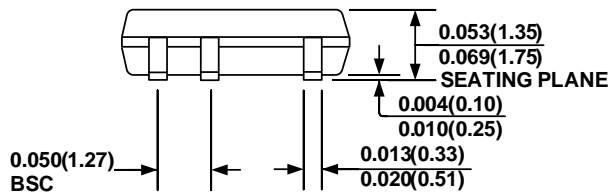
### SOIC8-7A



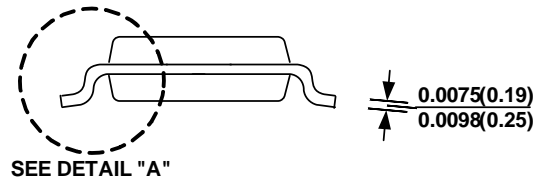
**TOP VIEW**



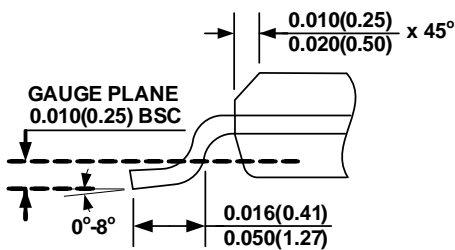
**RECOMMENDED LAND PATTERN**



**FRONT VIEW**



**SIDE VIEW**



**DETAIL "A"**

**NOTE:**

- 1) CONTROL DIMENSION IS IN INCHES DIMENSION IN BRACKET IS IN MILLIMETERS
- 2) PACKAGE LENGTH DOES NOT INCLUDE MOLD FLASH, PROTRUSIONS OR GATE BURRS
- 3) PACKAGE WIDTH DOES NOT INCLUDE INTERLEAD FLASH OR PROTRUSIONS.
- 4) LEAD COPLANARITY (BOTTOM OF LEADS AFTER FORMING) SHALL BE 0.004" INCHES MAX.
- 5) JEDEC REFERENCE IS MS-012.
- 6) DRAWING IS NOT TO SCALE

**NOTICE:** The information in this document is subject to change without notice. Users should warrant and guarantee that third party Intellectual Property rights are not infringed upon when integrating MPS products into any application. MPS will not assume any legal responsibility for any said applications.