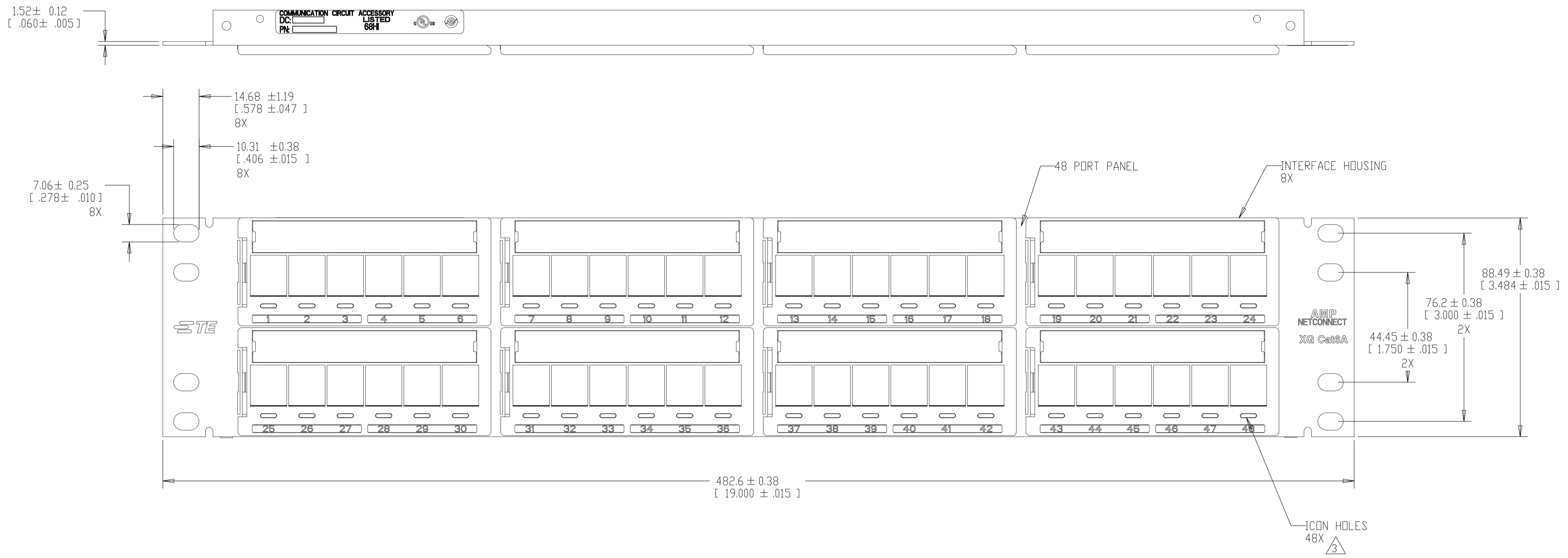
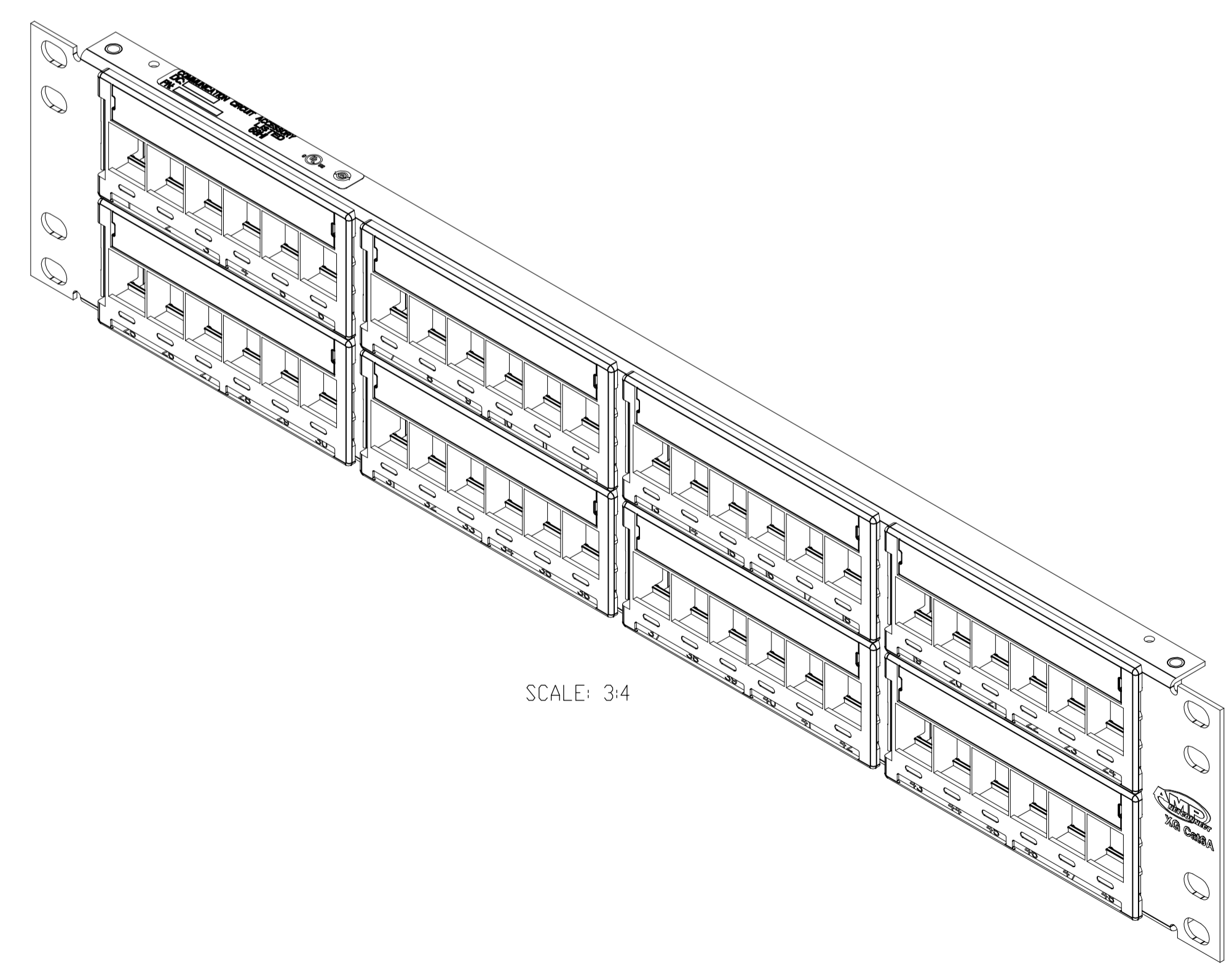


LOC		DIST		REVISIONS			
F	LTR	DESCRIPTION	DATE	DWN	APVD		
F		REV: ECO-12-019914	13NOV2012	GG	SH		



- △ MATERIAL:  
INTERFACE: POLYESTER MOLDING COMPOUND, BLACK.  
PANEL: BLACK POWDER COAT STEEL WITH WHITE MARKINGS.
- 2. MOUNTING HARDWARE INCLUDED EACH ASSEMBLY:  
FOUR, 10-32 X.50 TRILOBULAR SCREWS W/ CAPTIVE STARWASHER.  
FOUR, 12-24 X.50 TRILOBULAR SCREWS W/ CAPTIVE STARWASHER.
- △ 3 ICONS MAY BE PURCHASED SEPARATELY.
- △ 4 48 AMP TWIST JACKS SHIPPED LOOSE, WITH ASSEMBLY. NOT SHOWN ON DRAWING.



△ 4	1933320-2
DESCRIPTION	PART NO.

THIS DRAWING IS A CONTROLLED DOCUMENT.		DIN J MCNEAL 08APR2007		TE Connectivity	
DIMENSIONS: mm		CHK S HERNDON 08APR2009		NAME	
TOLERANCES UNLESS OTHERWISE SPECIFIED:		APVD S HERNDON 08APR2009		ASSY, SHIELDED HSG, 2U, 48P, XG, FLAT	
0. PLC ± -		PRODUCT SPEC		APPLICATION SPEC	
1. PLC ± -		SIZE		CAGE CODE	
2. PLC ± -		DRAWING NO		RESTRICTED TO	
3. PLC ± -		A1 00779		C=1933320	
4. PLC ± -		WEIGHT		SCALE 1:1	
ANGLES ± -		CUSTOMER DRAWING		SHEET 1 OF 1	
FINISH - △ 1		SCALE 1:1		REV F	