

3 Watt DC/DC Converter

8 Pin SMD Isolation Modules



Product Features:

- The TGM-H251NF and TGM-H281NF transformers provide the isolation and voltage outputs required for low cost isolated DC/DC converter circuits.
- These high efficiency, extended temp range transformers have been designed specifically for the Maxim™ MAX256 controller and H bridge driver with 3.3V or 5V power source.
- Fully tested and approved by Maxim in this 3 watt application.
- UL60950 and EN60950 recognized.

Part Number	Turns Ratio $\pm 3\%$ PRI : SEC	PRI-OCL (μH Typ)	PRI-DCR (m Ω Max.)	Cw/w (pF Max)	Isolation Voltage
TGM-H251NFLF	1:1:1:1	198	100	15	1,500
TGM-H281NFLF	1:1:2.6:2.6	198	100	15	1,500

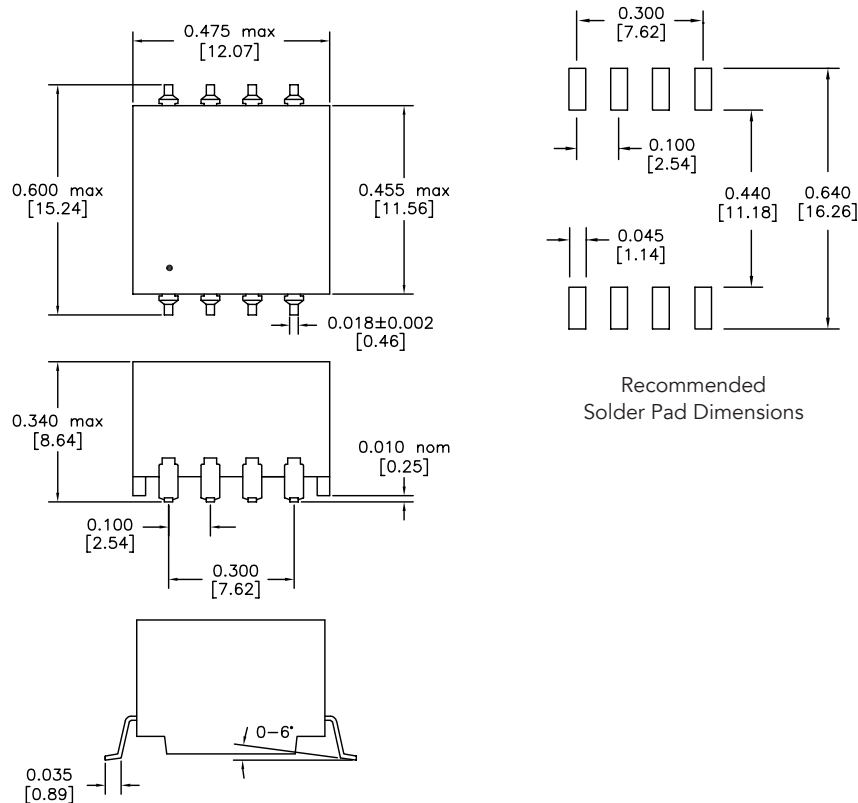
For more information, pertaining to the MAX256 please contact Maxim at (408) 737-7600. Maxim is a registered trademark of Maxim Integrated Products.

Schematic



3 Watt DC/DC Converter

Package NF



Recommended
Solder Pad Dimensions

Dimensions: inches [mm]
Co-Planarity: 0.004 [0.10]

US Patent Numbers for SMD Devices

5,656,985 6,297,721 B1
6,297,720 B1 6,320,489 B1
6,344,785 B1 6,662,431 B1



2880 Lakeside Drive #116
Santa Clara, CA 95054
(650) 903-3800
www.haloelectronics.com

HALO® Electronics is a leading supplier of high quality communication magnetics including signal transformers, filters, CMR chokes, PoE power transformers, DC/DC converters, and integrated Ethernet connectors. HALO's leading edge technology solutions are manufactured in ISO9001 and ISO14001 factories offering high quality products at a competitive price.